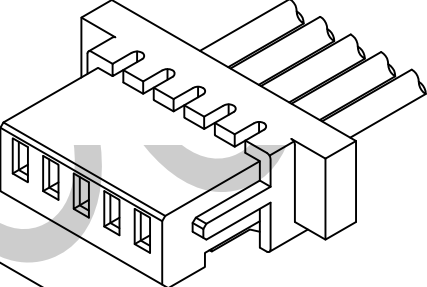
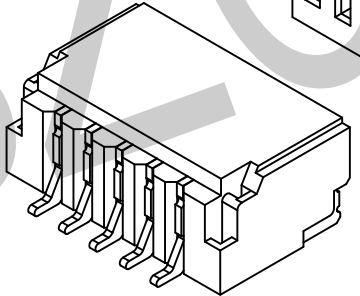
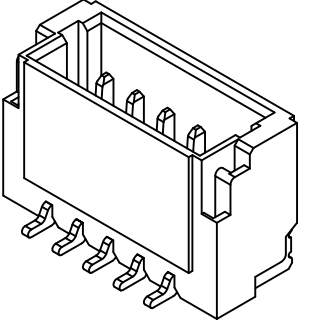
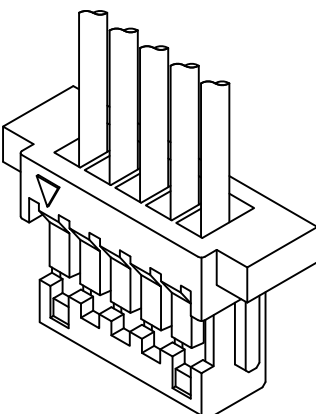




Current rating:1A AC,DC
 Voltage rating:50V AC,DC
 Temperature range:-40°C~+105°C
 Contact resistance:20mΩMax.
 Insulation resistance:100MΩMin.
 Withstanding voltage:500V AC/minute
 Compliant with RoHS and REACH



TOLERANCE UNLESS OTHERWISE SPECIFIED				BZOOC 东莞市柏洲电子有限公司 Dongguan BzooC Electronics, Ltd		APR. AX.T		TITLE: W100-01 TYPE WAFER	
.X± 0.35	X.*± 1.5*	.XX± 0.25		.X*± 1.0*		CHK. Y.L		PART NO.	
.XXX± 0.15	.XX*± 0.5*	A0	FIRST RELEASE	Y.L	2019.06.21	DRA. Y.L		UNITS. MM	SCALE: 1:1
REV.	ECN. NO.	APR.	DATE			PROJ.		CUSTOMER DRAWING	SHEET. 1 / 1

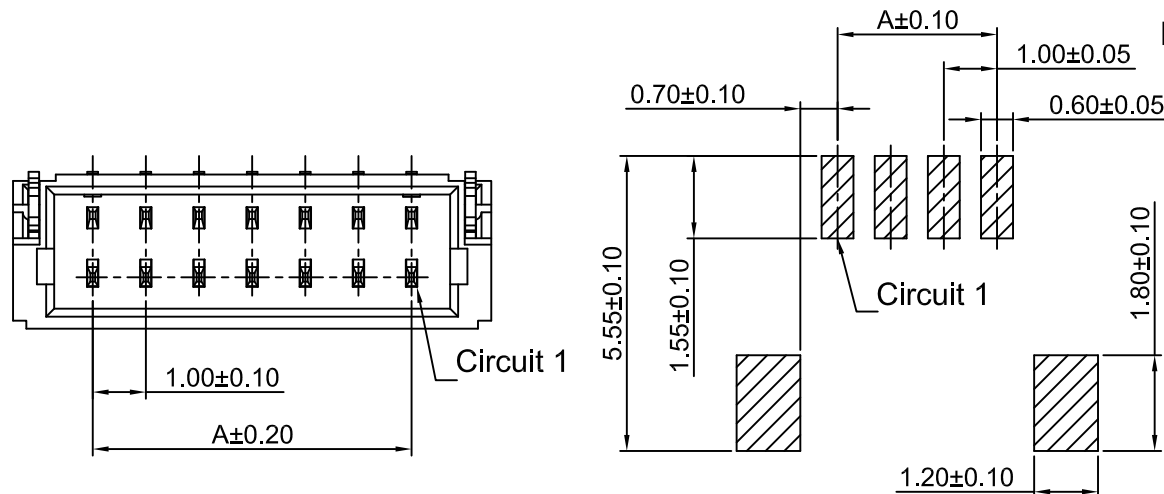
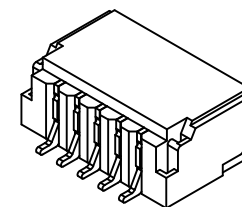
A0	FIRST RELEASE	Y.L	2019.06.21
REV.	ECN. NO.	APR.	DATE



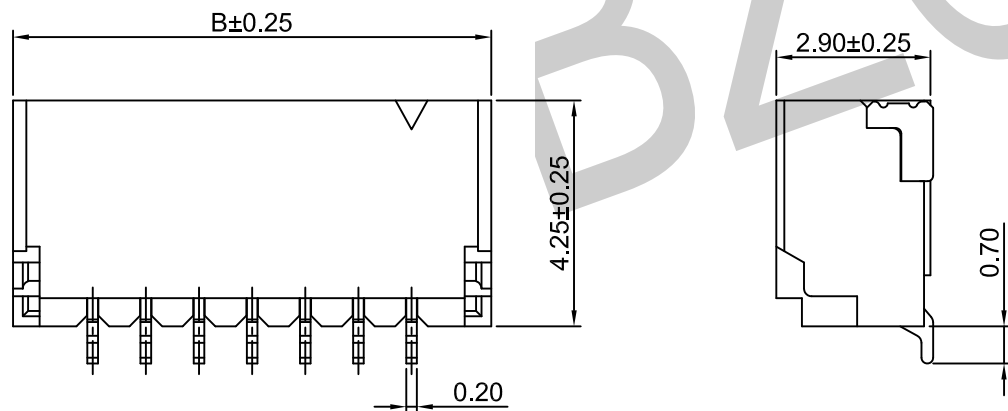
Current rating:1A AC,DC
 Voltage rating:50V AC,DC
 Temperature range:-40°C~+105°C
 Contact resistance:20mΩMax.
 Insulation resistance:100MΩMin.
 Withstanding voltage:500V AC/minute
 Material:Pin:Phosphor Bronze/Tin over Nickel

Solder Tabs: Phosphor Bronze/Tin over Nickel
 Insulator:LCP,UL94V-0

PIN NO.	Dimensions	
	A	B
02P	1.00	4.00
03P	2.00	5.00
04P	3.00	6.00
05P	4.00	7.00
06P	5.00	8.00
07P	6.00	9.00
08P	7.00	10.00
09P	8.00	11.00
10P	9.00	12.00
11P	10.00	13.00
12P	11.00	14.00
13P	12.00	15.00
14P	13.00	16.00
15P	14.00	17.00
16P	15.00	18.00
17P	16.00	19.00
18P	17.00	20.00
19P	18.00	21.00
20P	19.00	22.00



P.C.B LAYOUT



WAFER W 100-010-1XX-WRS-SN-F-X-PC-000
 100:间距1.0MM
 01:WAFER TYPE1
 0:UL94V-0
 PIN:
 102:1*2P
 103:1*3P

 120:1*20P

90°-SMT

流水码
 PC:本色
 T:管装
 R:卷装
 F:LCP
 SN:镀锡

TOLERANCE UNLESS OTHERWISE SPECIFIED		BZOO 东莞市柏洲电子有限公司 Dongguan Bzoo Electronics, Ltd	
.X± 0.35	X.*± 1.5'	APR. AX.T	TITLE: 1.00MM PITCH 90° SINGLE ROW WAFER - SMT TYPE1
.XX± 0.25	.X.*± 1.0'	CHK. Y.L	PART NO.
.XXX± 0.15	.XX.*± 0.5'	DRA. Y.L	PROJ.
A0	FIRST RELEASE	Y.L	2019.06.21
REV.	ECN. NO.	APR.	DATE
		UNITS. MM	SCALE: 1:1
		CUSTOMER DRAWING	
		SHEET. 1 / 1	

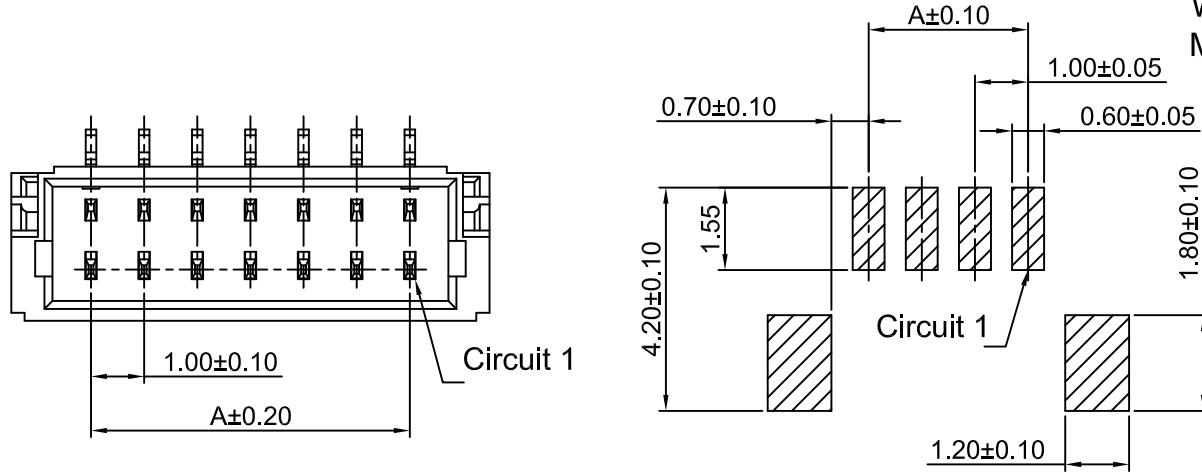
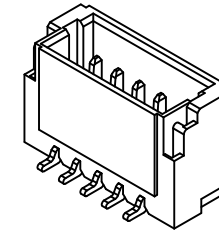
A0	FIRST RELEASE	Y.L	2019.06.21
REV.	ECN. NO.	APR.	DATE



Current rating:1A AC,DC
 Voltage rating:50V AC,DC
 Temperature range:-40°C~+105°C
 Contact resistance:20mΩMax.
 Insulation resistance:100MΩMin.
 Withstanding voltage:500V AC/minute
 Material:Pin:Phosphor Bronze/Tin over Nickel

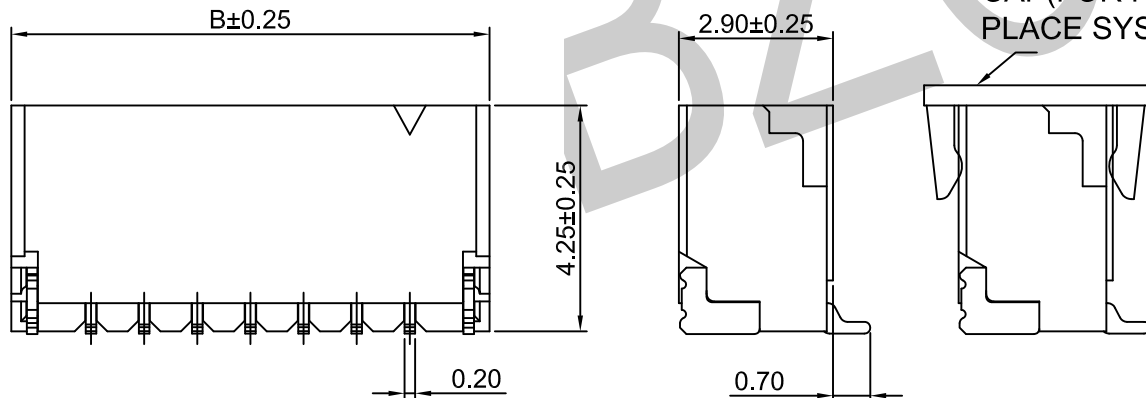
Solder Tabs: Phosphor Bronze/Tin over Nickel
 Insulator:LCP,UL94V-0

PIN NO.	Dimensions	
	A	B
02P	1.00	4.00
03P	2.00	5.00
04P	3.00	6.00
05P	4.00	7.00
06P	5.00	8.00
07P	6.00	9.00
08P	7.00	10.00
09P	8.00	11.00
10P	9.00	12.00
11P	10.00	13.00
12P	11.00	14.00
13P	12.00	15.00
14P	13.00	16.00
15P	14.00	17.00
16P	15.00	18.00
17P	16.00	19.00
18P	17.00	20.00
19P	18.00	21.00
20P	19.00	22.00



P.C.B LAYOUT

CAP(FOR PICK AND PLACE SYSTEMS)



WAFER W 100-010-1XX-WVS-SN-F-X-PC-000
 100:间距1.0MM
 01:WAFER TYPE1
 0:UL94V-0
 PIN:
 102:1*2P
 103:1*3P

 120:1*20P

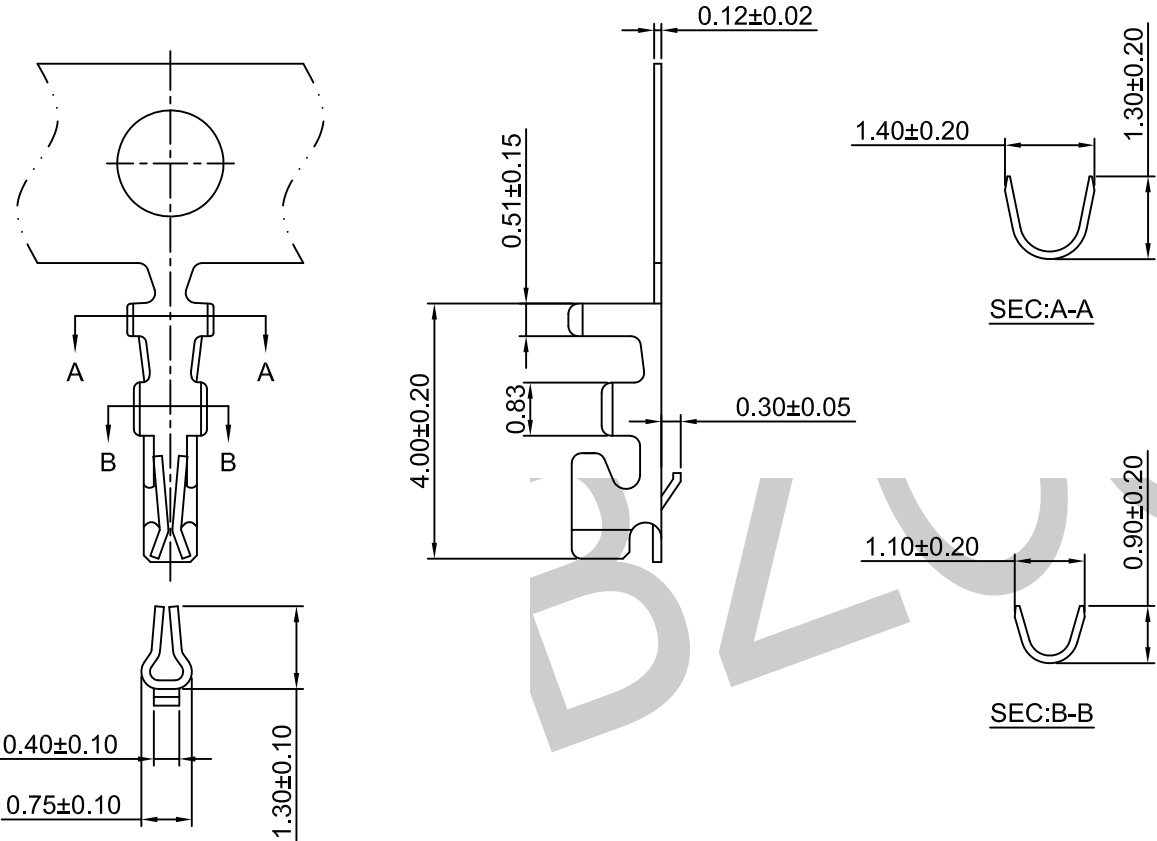
180°-SMT

流水码
 PC:本色
 T:管装
 RC:卷装+CAP
 F:LCP
 SN:镀锡

TOLERANCE UNLESS OTHERWISE SPECIFIED		BZOO 东莞市柏洲电子有限公司 Dongguan Bzoo Electronics, Ltd	
.X± 0.35	X.*± 1.5'	APR. AX.T	TITLE: 1.00MM PITCH 180° SINGLE ROW WAFER - SMT TYPE1
.XX± 0.25	.X.*± 1.0'	CHK. Y.L	PART NO.
.XXX± 0.15	.XX.*± 0.5'	DRA. Y.L	PROJ.
A0	FIRST RELEASE	Y.L	2019.06.21
REV.	ECN. NO.	APR.	DATE
UNITS. MM		SCALE: 1:1	
CUSTOMER DRAWING		SHEET. 1 / 1	



Current rating:1A AC,DC
 Voltage rating:50V AC,DC
 Temperature range:-40°C~+105°C
 Contact resistance:20mΩMax.
 Insulation resistance:100MΩMin.
 Withstanding voltage:500V AC/minute
 Material:Phosphor Bronze
 Wire Range:AWG#28~#32
 Insulation O.D.:0.80mm(max)
 Qty/Reel:20,000 PCS



WAFER ——— W 100-01F-PDJ-SN-000 SERIAL NO.
 100:PITCH 1.0MM
 01:WAFER TYPE 1
 F:FEMALE TERMINAL
 P:PHOSPHOR BRONZE
 SN:TIN PLATING
 GF:GOLD PLATING
 DJ:LOW. PIN

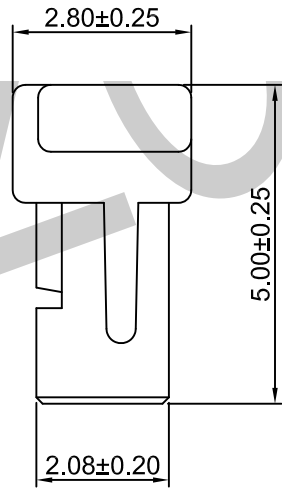
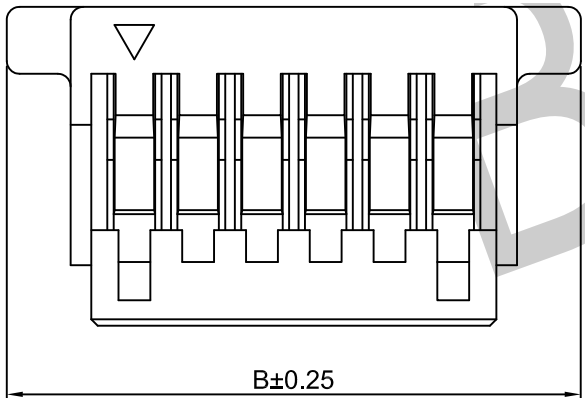
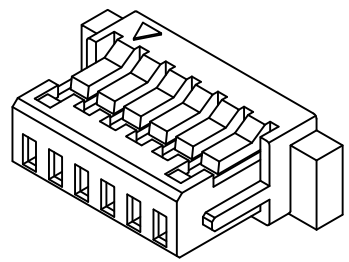
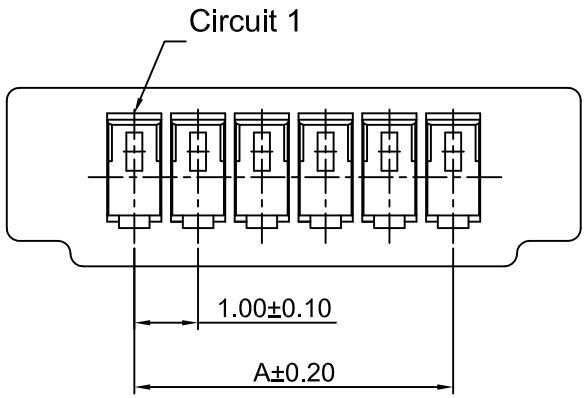
TOLERANCE UNLESS OTHERWISE SPECIFIED		BZOOC 东莞市柏洲电子有限公司 Dongguan BzooC Electronics, Ltd	
.X± 0.35	X.*± 1.5*	APR. AX.T	TITLE: 1.00MM PITCH CRIMP TERMINAL TYPE1
.XX± 0.25	.X*± 1.0*	CHK. Y.L	PART NO.
.XXX± 0.15	.XX*± 0.5*	DRA. Y.L	PROJ.
A0	FIRST RELEASE	Y.L	2019.06.21
REV.	ECN. NO.	APR.	DATE
		UNITS. MM	SCALE: 1:1
		CUSTOMER DRAWING	
		SHEET. 1 / 1	

A0	FIRST RELEASE	Y.L	2019.06.21
REV.	ECN. NO.	APR.	DATE



PIN NO.	Dimensions	
	A	B
02P	1.00	5.00
03P	2.00	6.00
04P	3.00	7.00
05P	4.00	8.00
06P	5.00	9.00
07P	6.00	10.00
08P	7.00	11.00
09P	8.00	12.00
10P	9.00	13.00
11P	10.00	14.00
12P	11.00	15.00
13P	12.00	16.00
14P	13.00	17.00
15P	14.00	18.00
16P	15.00	19.00
17P	16.00	20.00
18P	17.00	21.00
19P	18.00	22.00
20P	19.00	23.00

Current rating:1A AC,DC
 Voltage rating:50V AC,DC
 Temperature range:-40°C~+105°C
 Contact resistance:20mΩMax.
 Insulation resistance:100MΩMin.
 Withstanding voltage:500V AC/minute
 Material:PBT,UL94V-0



W 100-010-1XX-HM-WE-A-P-000
 SERIAL NO.
 100:间距1.0MM
 PACKING: BAG
 01:WAFER TYPE1
 A:PBT
 0:UL94V-0
 WE:WHITE
 HM:MALE HOUSING
 PIN NO.:
 102:1*2P
 103:1*3P
 ...
 120:1*20P

TOLERANCE UNLESS OTHERWISE SPECIFIED		BZOOC 东莞市柏洲电子有限公司 Dongguan BzooC Electronics, Ltd	
.X± 0.35	X.*± 1.5*	APR. AX.T	TITLE: 1.00MM PITCH SINGLE ROW HOUSING TYPE1
.XX± 0.25	.X*± 1.0*	CHK. Y.L	PART NO.
.XXX± 0.15	.XX*± 0.5*	DRA. Y.L	PROJ.
UNITS: MM		SCALE: 1:1	SHEET. 1 / 1
CUSTOMER DRAWING			

A0	FIRST RELEASE	Y.L	2019.06.21
REV.	ECN. NO.	APR.	DATE