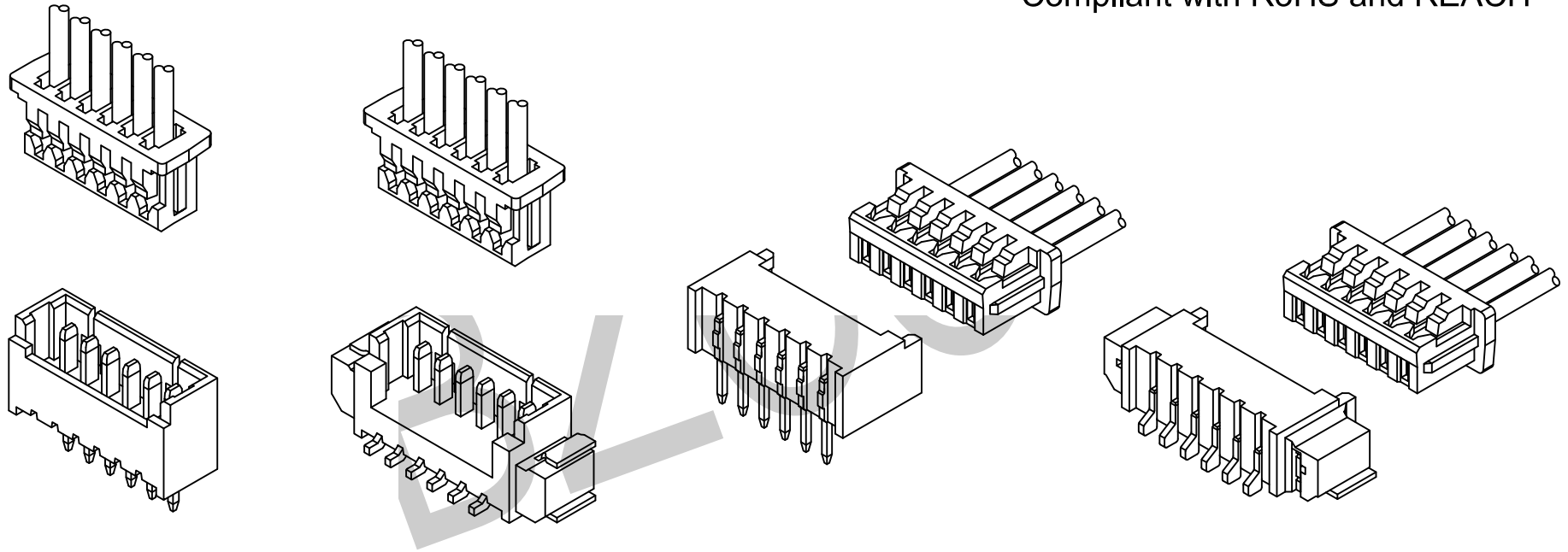




Current rating:1A AC,DC  
 Voltage rating:125V AC,DC  
 Temperature range:-40°C~+105°C  
 Contact resistance:20mΩ Max.  
 Insulation resistance:100MΩ Min.  
 Withstanding voltage:500V AC/minute  
 Compliant with RoHS and REACH



TOLERANCE UNLESS OTHERWISE SPECIFIED		<b>BZOO</b> 东莞市柏洲电子有限公司 Dongguan Bzoo Electronics, Ltd	
.X± 0.35	X.*± 1.5*	APR. AX.T	TITLE: W125-01 TYPE WAFER
.XX± 0.25	.X*± 1.0*	CHK. Y.L	PART NO.
.XXX± 0.15	.XX*± 0.5*	DRA. Y.L	PROJ.
		UNITS. MM	SCALE: 1:1
		CUSTOMER DRAWING	
		SHEET. 1 / 1	

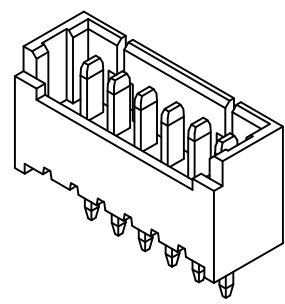
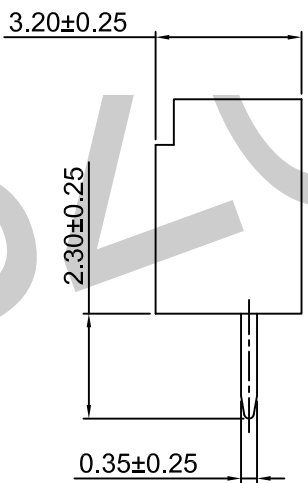
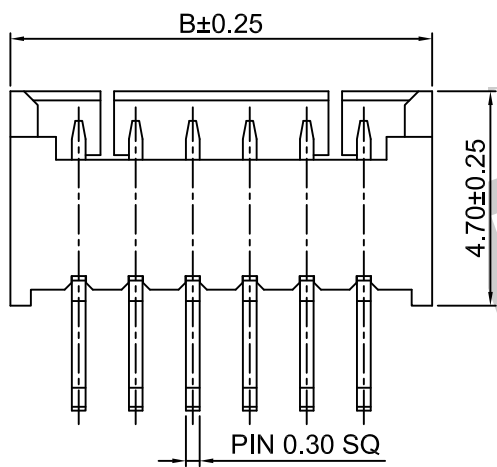
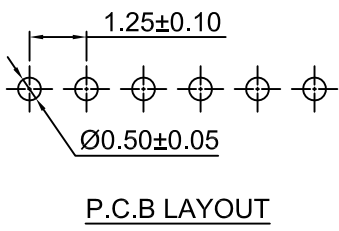
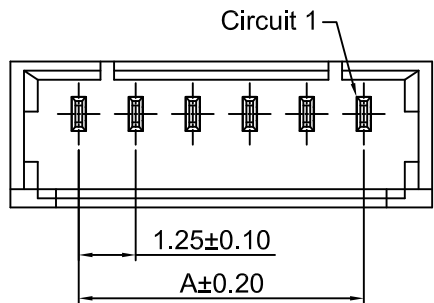
A0	FIRST RELEASE	Y.L	2019.06.21
REV.	ECN. NO.	APR.	DATE



CURRENT RATING: 1A AC, DC  
 VOLTAGE RATING: 125V AC, DC  
 TEMPERATURE RANGE: -40° C ~ +105° C  
 CONTACT RESISTANCE: 20mΩ MAX.  
 INSULATION RESISTANCE: 100MΩ MIN.  
 WITHSTANDING VOLTAGE: 500V AC/MINUTE  
 MATERIAL: PIN: PHOSPHOR BRONZE/TIN OVER NICKEL  
 INSULATOR: NYLON 66, UL94V-0

A  
B  
C  
D  
E  
F

A  
B  
C  
D  
E  
F



PIN NO.	Dimensions	
	A	B
2P	1.25	4.30
3P	2.50	5.55
4P	3.75	6.80
5P	5.00	8.05
6P	6.25	9.30
7P	7.50	10.55
8P	8.75	11.80
9P	10.00	13.05
10P	11.25	14.30
11P	12.50	15.55
12P	13.75	16.80
13P	15.00	18.05
14P	16.25	19.30
15P	17.50	20.55
16P	18.75	21.80
17P	20.00	23.05
18P	21.25	24.30
19P	22.50	25.55
20P	23.75	26.80

WAFER W 125-010-1XX-WV-SN-C-P-PC-000  
 125:间距1.25mm  
 01:WAFER TYPE1  
 0:UL94V-0  
 PIN:  
 102:1\*2P  
 103:1\*3P  
 .....  
 120:1\*20P

180°  
 流水码  
 PC:本色  
 P:袋装  
 C:PA66  
 SN:镀锡

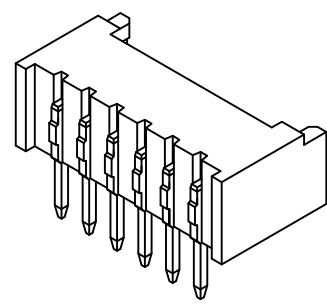
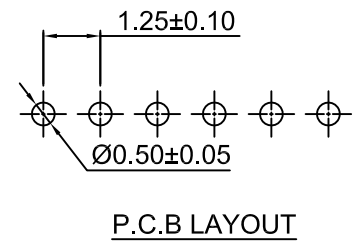
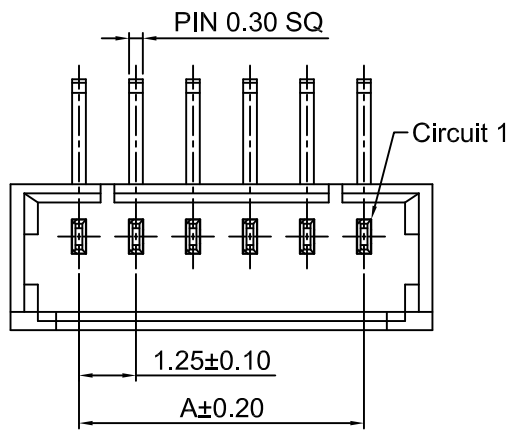
TOLERANCE UNLESS OTHERWISE SPECIFIED		东莞市柏洲电子有限公司 Dongguan BzooC Electronics, Ltd	
.X± 0.35	X.*± 1.5*	APR. AX.T	TITLE: 1.25MM PITCH 180° WAFER TYPE1
.XX± 0.25	.X.*± 1.0*	CHK. Y.L	PART NO.
.XXX± 0.15	.XX.*± 0.5*	DRA. Y.L	PROJ.  UNITS. MM SCALE: 1:1 SHEET. 1 / 1 CUSTOMER DRAWING

A0	FIRST RELEASE	Y.L	2019.06.21
REV.	ECN. NO.	APR.	DATE

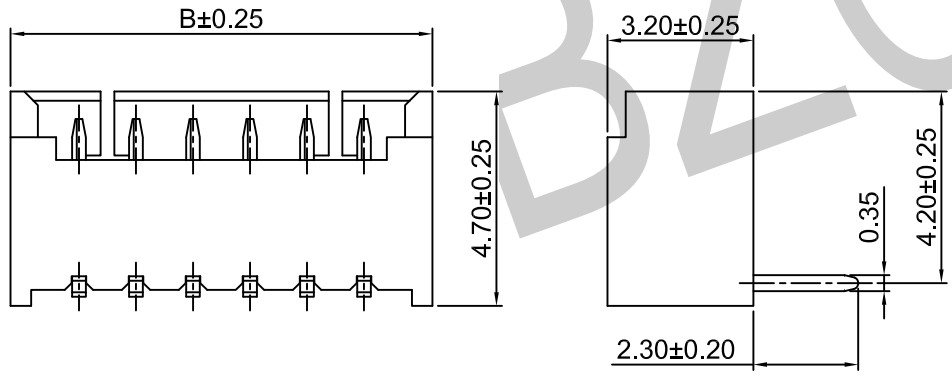
1 2 3 4 5 6 7 8



CURRENT RATING: 1A AC, DC  
 VOLTAGE RATING: 125V AC, DC  
 TEMPERATURE RANGE: -40° C ~ +105° C  
 CONTACT RESISTANCE: 20mΩ MAX.  
 INSULATION RESISTANCE: 100MΩ MIN.  
 WITHSTANDING VOLTAGE: 500V AC/MINUTE  
 MATERIAL: PIN: PHOSPHOR BRONZE/TIN OVER NICKEL  
 INSULATOR: NYLON 66, UL94V-0



PIN NO.	Dimensions	
	A	B
2P	1.25	4.30
3P	2.50	5.55
4P	3.75	6.80
5P	5.00	8.05
6P	6.25	9.30
7P	7.50	10.55
8P	8.75	11.80
9P	10.00	13.05
10P	11.25	14.30
11P	12.50	15.55
12P	13.75	16.80
13P	15.00	18.05
14P	16.25	19.30
15P	17.50	20.55
16P	18.75	21.80
17P	20.00	23.05
18P	21.25	24.30
19P	22.50	25.55
20P	23.75	26.80



WAFER: W 125-010-1XX-WR-SN-C-P-PC-000  
 125: 间距 1.25mm  
 01: WAFER TYPE1  
 0: UL94V-0  
 PIN: 102: 1\*2P  
 103: 1\*3P  
 .....  
 120: 1\*20P

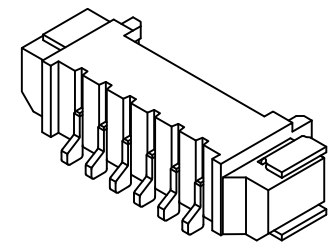
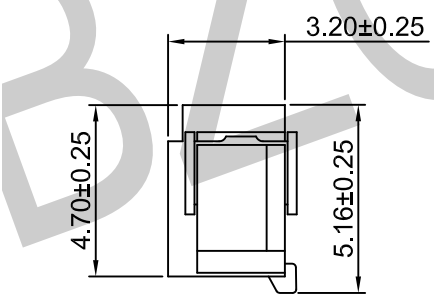
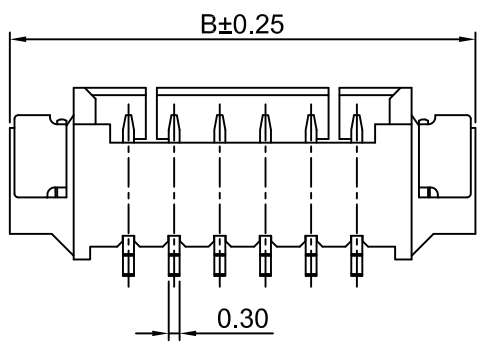
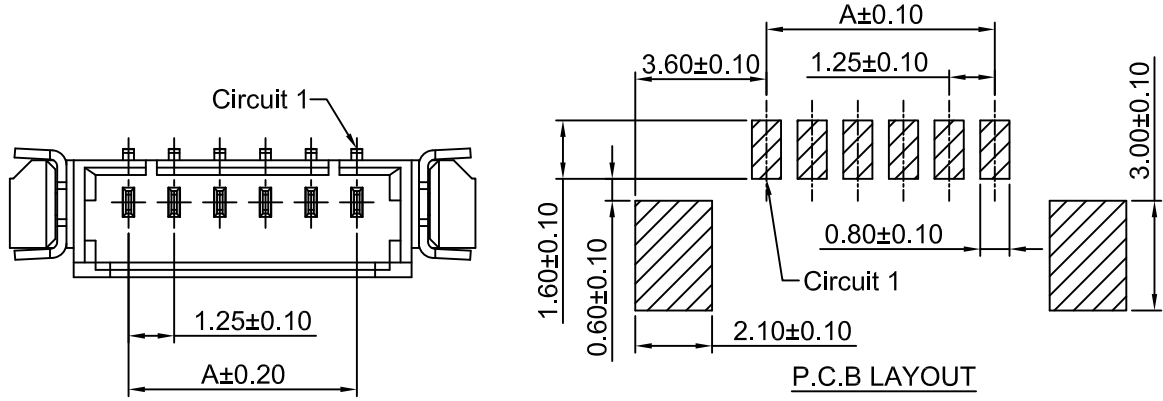
90°  
 流水码  
 PC: 本色  
 P: 袋装  
 C: PA66  
 SN: 镀锡

TOLERANCE UNLESS OTHERWISE SPECIFIED		东莞市柏洲电子有限公司 Dongguan BzooC Electronics, Ltd	
.X± 0.35	X.*± 1.5*	APR. AX.T	TITLE: 1.25MM PITCH 90° WAFER TYPE1
.XX± 0.25	.X.*± 1.0*	CHK. Y.L	PART NO.
.XXX± 0.15	.XX.*± 0.5*	DRA. Y.L	PROJ.  UNITS. MM SCALE: 1:1 SHEET. 1 / 1 CUSTOMER DRAWING

A0	FIRST RELEASE	Y.L	2019.06.21
REV.	ECN. NO.	APR.	DATE



CURRENT RATING: 1A AC, DC  
 VOLTAGE RATING: 125V AC, DC  
 TEMPERATURE RANGE: -40° C ~ +105° C  
 CONTACT RESISTANCE: 20mΩ MAX.  
 INSULATION RESISTANCE: 100MΩ MIN.  
 WITHSTANDING VOLTAGE: 500V AC/MINUTE  
 MATERIAL:  
 PIN: PHOSPHOR BRONZE/TIN OVER NICKEL  
 SOLDER TABS: PHOSPHOR BRONZE/TIN OVER NICKEL  
 INSULATOR: NYLON 6T, UL94V-0



PIN NO.	Dimensions	
	A	B
2P	1.25	7.75
3P	2.50	9.00
4P	3.75	10.25
5P	5.00	11.50
6P	6.25	12.75
7P	7.50	14.00
8P	8.75	15.25
9P	10.00	16.50
10P	11.25	17.75
11P	12.50	19.00
12P	13.75	20.25
13P	15.00	21.50
14P	16.25	22.75
15P	17.50	24.00
16P	18.75	25.25
17P	20.00	26.50
18P	21.25	27.75
19P	22.50	29.00
20P	23.75	30.25

WAFER W 125-010-1XX-WRS-SN-F-X-PC-000  
 125: 间距1.25mm  
 01: WAFER TYPE1  
 0: UL94V-0  
 PIN: 102: 1\*2P  
 103: 1\*3P  
 .....  
 120: 1\*20P  
 90°-SMT  
 流水码  
 PC: 本色  
 T: 管装  
 R: 卷装  
 F: LCP  
 SN: 镀锡

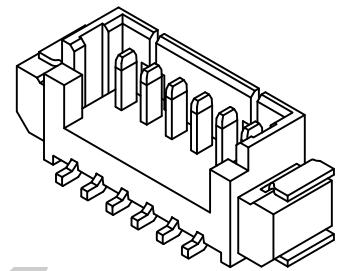
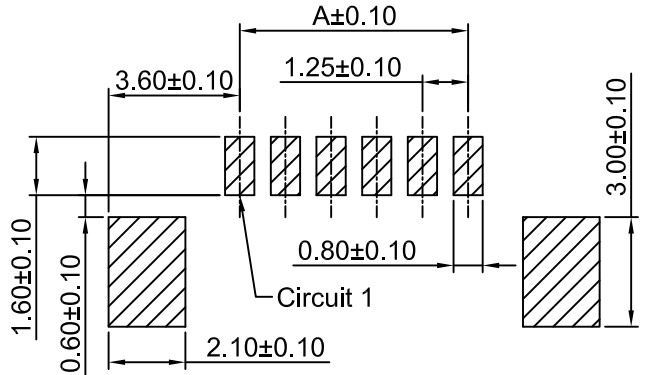
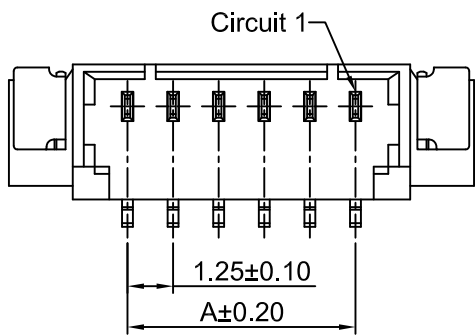
TOLERANCE UNLESS OTHERWISE SPECIFIED		<b>BZOOC</b> 东莞市柏洲电子有限公司 Dongguan BzooC Electronics, Ltd	
.X± 0.35	X'± 1.5'	APR. AX.T	TITLE: 1.25MM PITCH 90° WAFER-SMT TYPE1
.XX± 0.25	.X'± 1.0'	CHK. Y.L	PART NO.
.XXX± 0.15	.XX'± 0.5'	DRA. Y.L	UNITS. MM SCALE: 1:1 SHEET. 1 / 1
PROJ.		CUSTOMER DRAWING	

A0	FIRST RELEASE	Y.L	2019.06.21
REV.	ECN. NO.	APR.	DATE

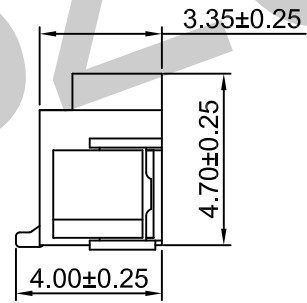
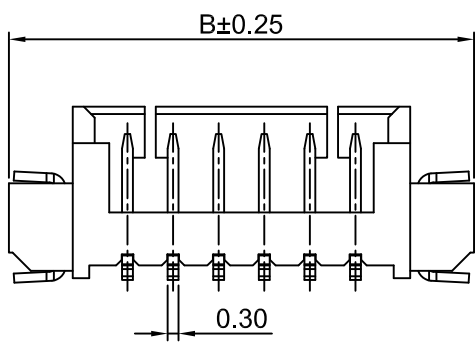


CURRENT RATING: 1A AC, DC  
 VOLTAGE RATING: 125V AC, DC  
 TEMPERATURE RANGE: -40° C ~ +105° C  
 CONTACT RESISTANCE: 20mΩ MAX.  
 INSULATION RESISTANCE: 100MΩ MIN.  
 WITHSTANDING VOLTAGE: 500V AC/MINUTE  
 MATERIAL:  
 PIN: PHOSPHOR BRONZE/TIN OVER NICKEL  
 SOLDER TABS: PHOSPHOR BRONZE/TIN OVER NICKEL  
 INSULATOR: LCP, UL94V-0

PIN NO.	Dimensions	
	A	B
2P	1.25	7.75
3P	2.50	9.00
4P	3.75	10.25
5P	5.00	11.50
6P	6.25	12.75
7P	7.50	14.00
8P	8.75	15.25
9P	10.00	16.50
10P	11.25	17.75
11P	12.50	19.00
12P	13.75	20.25
13P	15.00	21.50
14P	16.25	22.75
15P	17.50	24.00
16P	18.75	25.25
17P	20.00	26.50
18P	21.25	27.75
19P	22.50	29.00
20P	23.75	30.25



P.C.B LAYOUT



WAFER: W 125-010-1XX-WVS-SN-F-X-PC-000  
 125: 间距1.25mm  
 01: WAFER TYPE1  
 0: UL94V-0  
 PIN: 102: 1\*2P  
 103: 1\*3P  
 .....  
 120: 1\*20P

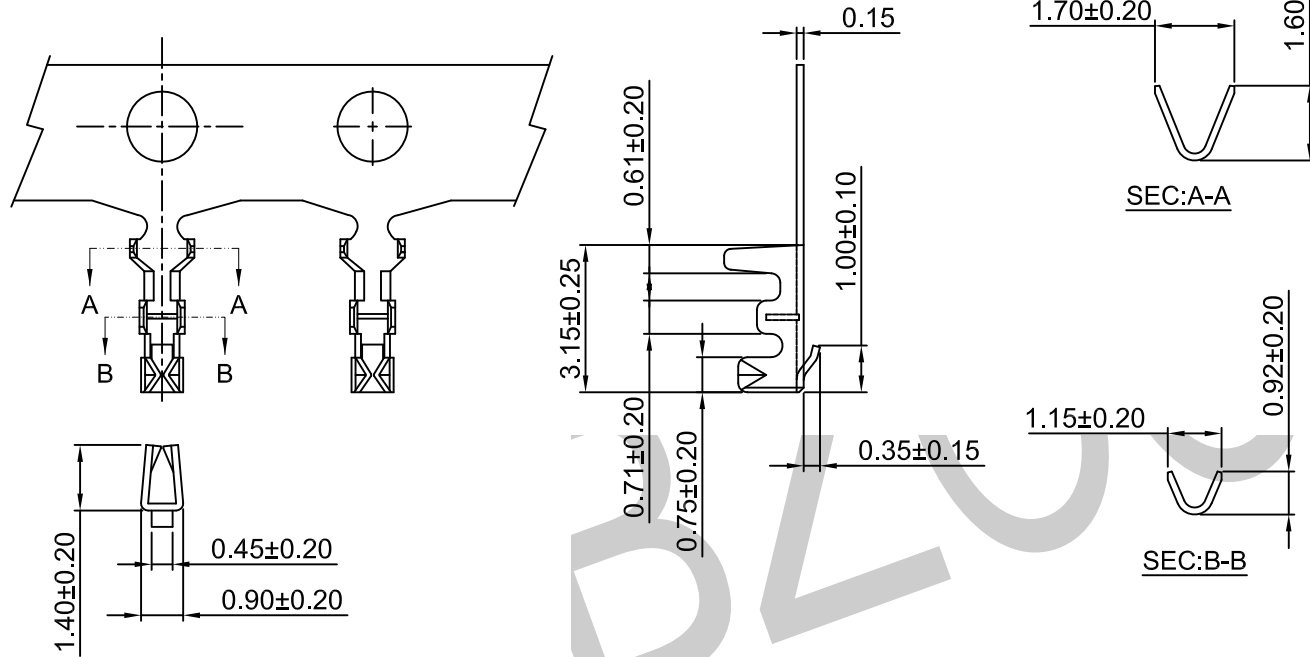
180°-SMT  
 流水码  
 PC: 本色  
 T: 管装  
 RC: 卷装+CAP  
 F: LCP  
 SN: 镀锡

TOLERANCE UNLESS OTHERWISE SPECIFIED		<b>BZOOC</b> 东莞市柏洲电子有限公司 Dongguan BzooC Electronics, Ltd	
.X± 0.35	X'± 1.5'	APR. AX.T	TITLE: 1.25MM PITCH 180° WAFER-SMT TYPE1
.XX± 0.25	.X'± 1.0'	CHK. Y.L	PART NO.
.XXX± 0.15	.XX'± 0.5'	DRA. Y.L	UNITS. MM SCALE: 1:1 SHEET. 1 / 1
PROJ.	CUSTOMER DRAWING		

A0	FIRST RELEASE	Y.L	2019.06.21
REV.	ECN. NO.	APR.	DATE



CURRENT RATING: 1A AC, DC  
 VOLTAGE RATING: 125V AC, DC  
 TEMPERATURE RANGE: -40° C ~ +105° C  
 CONTACT RESISTANCE: 20mΩ MAX.  
 INSULATION RESISTANCE: 100MΩ MIN.  
 WITHSTANDING VOLTAGE: 500V AC/MINUTE  
 MATERIAL: PHOSPHOR BRONZE  
 WIRE RANGE: AWG#28 ~ #32  
 QTY/REEL: 15,000 PCS



WAFER ——— W 125-01F-PDJ-SN-000 SERIAL NO.  
 125:PITCH 1.25MM ——— SN:TIN PLATING  
 01:WAFER TYPE 1 ——— GF:GOLD PLATING  
 F:FEMALE TERMINAL ——— DJ:LOW. PIN  
 P:PHOSPHOR BRONZE

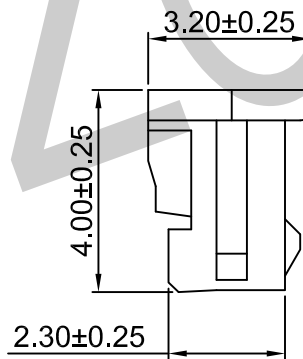
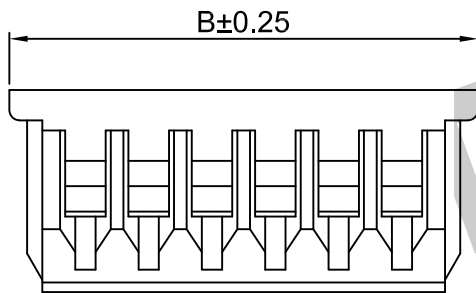
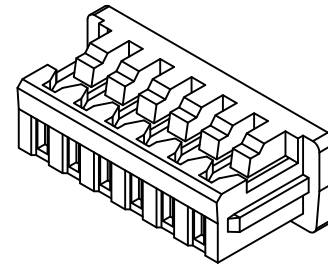
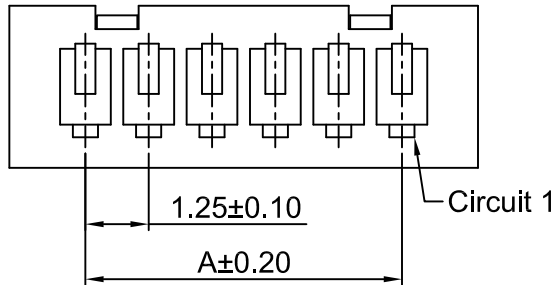
TOLERANCE UNLESS OTHERWISE SPECIFIED				东莞市柏洲电子有限公司 Dongguan BzooC Electronics, Ltd	
.X± 0.35	X.*± 1.5*	APR. AX.T	TITLE: 1.25MM PITCH CRIMP TERMINAL TYPE1		
.XX± 0.25	.X*± 1.0*	CHK. Y.L	PART NO.		
.XXX± 0.15	.XX*± 0.5*	DRA. Y.L	PROJ.	UNITS: MM SCALE: 1:1 CUSTOMER DRAWING	SHEET. 1 / 1

A0	FIRST RELEASE	Y.L	2019.06.21
REV.	ECN. NO.	APR.	DATE



PIN NO.	Dimensions	
	A	B
2P	1.25	4.25
3P	2.50	5.50
4P	3.75	6.75
5P	5.00	8.00
6P	6.25	9.25
7P	7.50	10.50
8P	8.75	11.75
9P	10.00	13.00
10P	11.25	14.25
11P	12.50	15.50
12P	13.75	16.75
13P	15.00	18.00
14P	16.25	19.25
15P	17.50	20.50
16P	18.75	21.75
17P	20.00	23.00
18P	21.25	24.25
19P	22.50	25.50
20P	23.75	26.75

CURRENT RATING: 1A AC, DC  
 VOLTAGE RATING: 125V AC, DC  
 TEMPERATURE RANGE: -40° C ~ +105° C  
 CONTACT RESISTANCE: 20mΩ MAX.  
 INSULATION RESISTANCE: 100MΩ MIN.  
 WITHSTANDING VOLTAGE: 500V AC/MINUTE  
 MATERIAL: NYLON 66, UL94V-0



W 125-010-1XX-HM-WE-C-P-000  
 WAFFER SERIAL NO.  
 125:间距1.25mm PACKING: BAG  
 01:WAFFER TYPE 1 C: PA66  
 0:UL94V-0 WE: WHITE  
 PIN NO.: HM: MALE HOUSING  
 102: 1\*2P  
 103: 1\*3P  
 ...  
 120: 1\*20P

TOLERANCE UNLESS OTHERWISE SPECIFIED		东莞市柏洲电子有限公司 Dongguan BzooC Electronics, Ltd	
.X± 0.35	X.*± 1.5*	APR. AX.T	TITLE: 1.25MM PITCH HOUSING TYPE1
.XX± 0.25	.X.*± 1.0*	CHK. Y.L	PART NO.
.XXX± 0.15	.XX.*± 0.5*	DRA. Y.L	PROJ.  UNITS. MM SCALE: 1:1 SHEET. 1 / 1 CUSTOMER DRAWING

A0	FIRST RELEASE	Y.L	2019.06.21
REV.	ECN. NO.	APR.	DATE