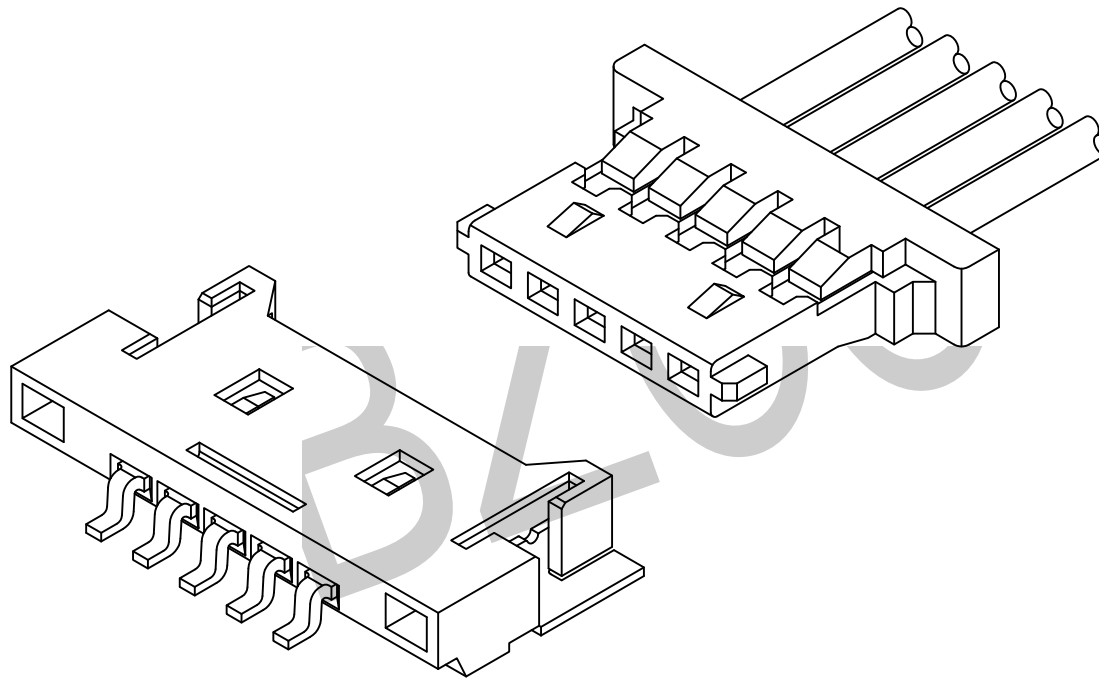




Current rating:1A AC,DC
 Voltage rating:125V AC,DC
 Temperature range:-40°C~+105°C
 Contact resistance:20mΩMax.
 Insulation resistance:100MΩMin.
 Withstanding voltage:500V AC/minute
 Compliant with RoHS and REACH

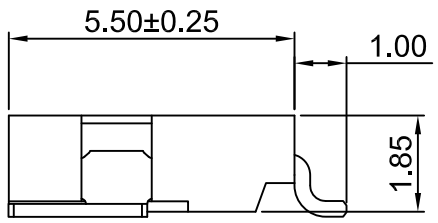
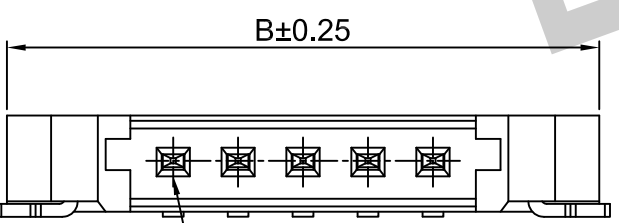
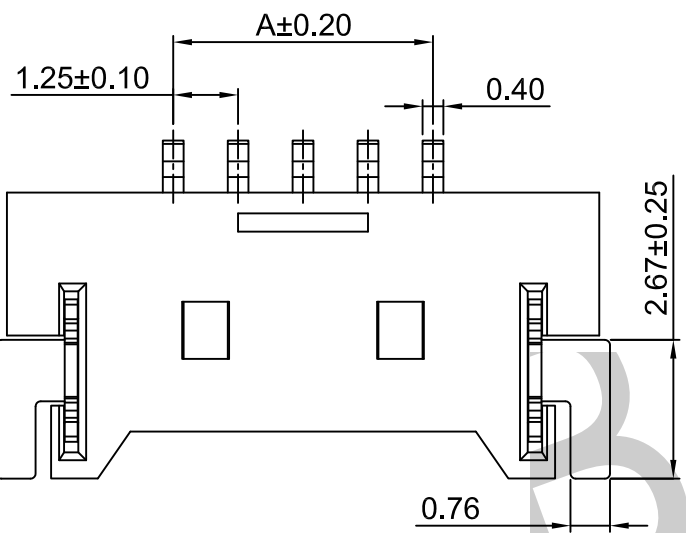
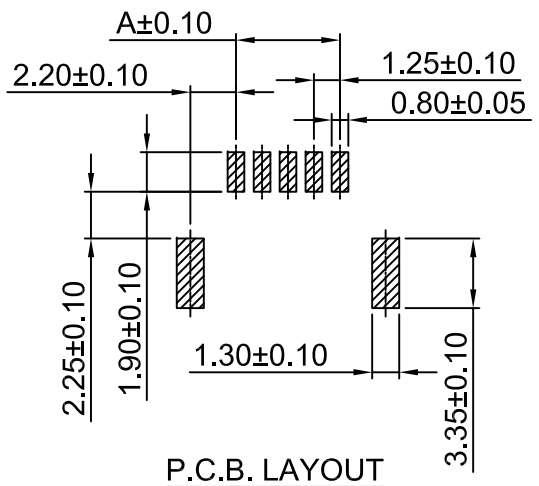
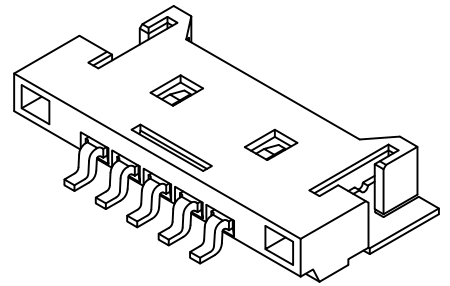


TOLERANCE UNLESS OTHERWISE SPECIFIED				BZOOC 东莞市柏洲电子有限公司 Dongguan BzooC Electronics, Ltd	
.X± 0.35	X.*± 1.5*	APR. AX.T	TITLE: W125-02 TYPE WAFER		
.XX± 0.25	.X.*± 1.0*	CHK. Y.L	PART NO.		
.XXX± 0.15	.XX.*± 0.5*	DRA. Y.L	PROJ.	UNITS. MM	SCALE: 1:1
			CUSTOMER DRAWING		SHEET. 1 / 1

A0	FIRST RELEASE	Y.L	2019.06.21
REV.	ECN. NO.	APR.	DATE



Current rating:1A AC,DC
 Voltage rating:125V AC,DC
 Temperature range:-40°C~+105°C
 Contact resistance:20mΩMax.
 Insulation resistance:100MΩMin.
 Withstanding voltage:500V AC/minute
 Material:
 Pin:Brass/Tin over Nickel on solder area
 Gold over Nickel on contact area
 Solder Tabs:Brass/Tin over Nickel
 Insulator:LCP,UL94V-0



PIN NO.	Dimensions		PIN NO.	Dimensions	
	A	B		A	B
02P	1.25	7.65	17P	20.00	26.40
03P	2.50	8.90	18P	21.25	27.65
04P	3.75	10.15	19P	22.50	28.90
05P	5.00	11.40	20P	23.75	30.15
06P	6.25	12.65	21P	25.00	31.40
07P	7.50	13.90	22P	26.25	32.65
08P	8.75	15.15	23P	27.50	33.90
09P	10.00	16.40	24P	28.75	35.15
10P	11.25	17.65	25P	30.00	36.40
11P	12.50	18.90	26P	31.25	37.65
12P	13.75	20.15	27P	32.50	38.90
13P	15.00	21.40	28P	33.75	40.15
14P	16.25	22.65	29P	35.00	41.40
15P	17.50	23.90	30P	36.25	42.65
16P	18.75	25.15			

WAFER: W 125-020-1XX-WRS-SN-F-R-PC-000
 125:间距1.25mm
 02:WAFER TYPE2
 0:UL94V-0
 PIN:
 102:1*2P
 103:1*3P

 130:1*30P
 90°-SMT
 流水码
 PC:本色
 R:卷装
 F:LCP
 SN:镀锡

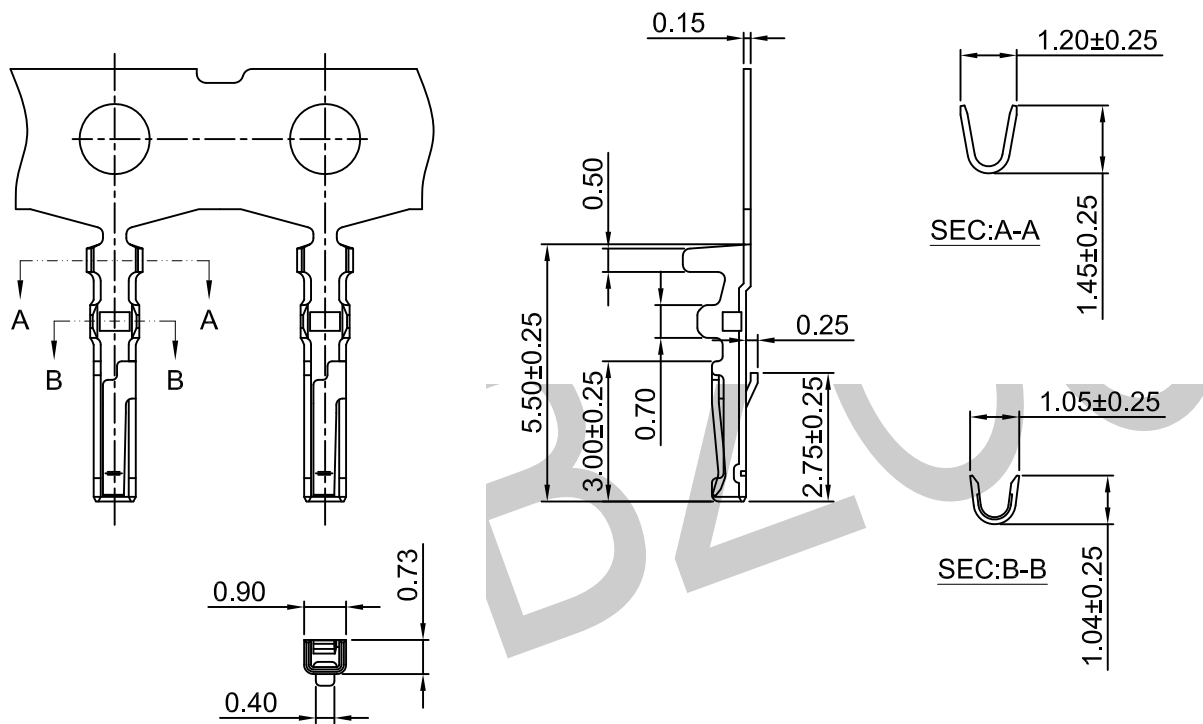
Circuit 1

A0	FIRST RELEASE	Y.L	2019.06.21
REV.	ECN. NO.	APR.	DATE

TOLERANCE UNLESS OTHERWISE SPECIFIED		BZOO 东莞市柏洲电子有限公司 Dongguan Bzoo Electronics, Ltd	
.X± 0.35	X.*± 1.5'	APR. AX.T	TITLE: 1.25MM PITCH 90° WAFER-SMT TYPE TYPE2
.XX± 0.25	.X.*± 1.0'	CHK. Y.L	PART NO.
.XXX± 0.15	.XX.*± 0.5'	DRA. Y.L	PROJ.
		UNITS. MM	SCALE: 1:1
		CUSTOMER DRAWING	
		SHEET. 1 / 1	



Current rating:1A AC,DC
 Voltage rating:125V AC,DC
 Temperature range:-40°C~+105°C
 Contact resistance:20mΩMax.
 Insulation resistance:100MΩMin.
 Withstanding voltage:500V AC/minute
 Material:Phosphor Bronze
 Wire Range:AWG#28-#32
 Insulation O.D.:0.90mm(max)
 Qty/reel:10,000 PCS



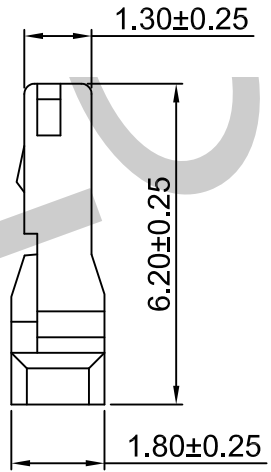
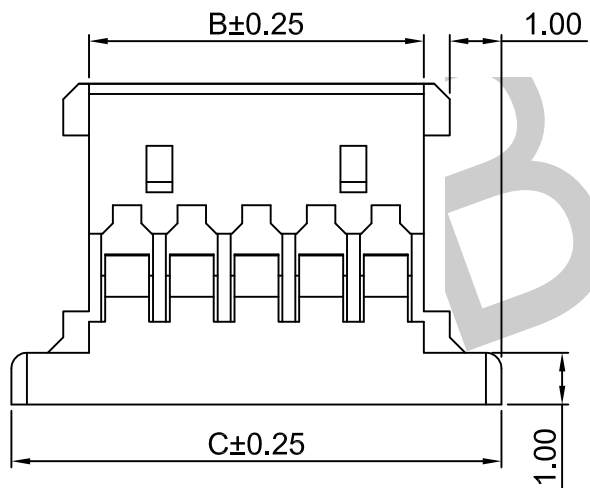
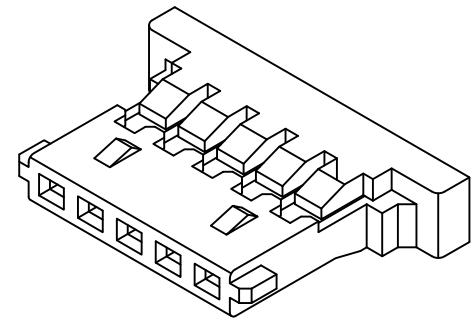
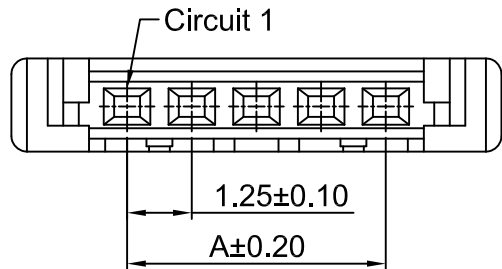
WAFER — W 125-02F-PDJ-SN-000 SERIAL NO.
 125:PITCH 1.25MM
 02:WAFER TYPE2 SN:TIN PLATING
 F:FEMALE TERMINAL GF:GOLD PLATING
 P:PHOSPHOR BRONZE DJ:LOW. PIN

TOLERANCE UNLESS OTHERWISE SPECIFIED				东莞市柏洲电子有限公司 Dongguan BzooC Electronics, Ltd	
.X± 0.35	X.*± 1.5*	APR. AX.T	TITLE: 1.25MM PITCH CRIMP TERMINAL TYPE2		
.XX± 0.25	.X*± 1.0*	CHK. Y.L	PART NO.		
.XXX± 0.15	.XX*± 0.5*	DRA. Y.L	PROJ.	UNITS. MM SCALE: 1:1 CUSTOMER DRAWING	SHEET. 1 / 1
A0	FIRST RELEASE	Y.L	2019.06.21		
REV.	ECN. NO.	APR.	DATE		



Current rating:1A AC,DC
 Voltage rating:125V AC,DC
 Temperature range:-40°C~+105°C
 Contact resistance:20mΩMax.
 Insulation resistance:100MΩMin.
 Withstanding voltage:500V AC/minute
 Material:Nylon 66,UL94V-0

PIN NO.	Dimensions			PIN NO.	Dimensions		
	A	B	C		A	B	C
02P	1.25	2.72	5.72	17P	20.00	21.72	24.47
03P	2.50	3.97	6.97	18P	21.25	22.97	25.72
04P	3.75	5.22	8.22	19P	22.50	24.22	26.97
05P	5.00	6.47	9.47	20P	23.75	25.72	28.22
06P	6.25	7.72	10.72	21P	25.00	26.97	29.47
07P	7.50	8.97	11.97	22P	26.25	28.22	30.72
08P	8.75	10.22	13.22	23P	27.50	29.47	31.97
09P	10.00	11.47	14.47	24P	28.75	30.72	33.22
10P	11.25	12.72	15.72	25P	30.00	31.97	34.47
11P	12.50	13.97	16.97	26P	31.25	33.22	35.72
12P	13.75	15.22	18.22	27P	32.50	34.72	36.97
13P	15.00	16.47	19.47	28P	33.75	35.97	38.22
14P	16.25	17.72	20.72	29P	35.00	37.22	39.47
15P	17.50	18.97	21.97	30P	36.25	37.72	40.72
16P	18.75	20.22	23.22				



WAFER W 125-020-1XX-HM-WE-C-P-000 SERIAL NO.
 125:间距1.25mm
 02:WAFER TYPE2 PACKING: BAG
 0:UL94V-0 C:PA66
 WE:WHITE
 PIN NO.: HM:MALE HOUSING
 102:1*2P
 103:1*3P
 ...
 130:1*30P

TOLERANCE UNLESS OTHERWISE SPECIFIED		BZOOC 东莞市柏洲电子有限公司 Dongguan BzooC Electronics, Ltd	
.X± 0.35	X.'± 1.5'	APR. AX.T	TITLE: 1.25MM PITCH HOUSING TYPE2
.XX± 0.25	.X'± 1.0'	CHK. Y.L	PART NO.
.XXX± 0.15	.XX'± 0.5'	DRA. Y.L	PROJ.
UNITS: MM	SCALE: 1:1	SHEET. 1 / 1	
CUSTOMER DRAWING			

A0	FIRST RELEASE	Y.L	2019.06.21
REV.	ECN. NO.	APR.	DATE