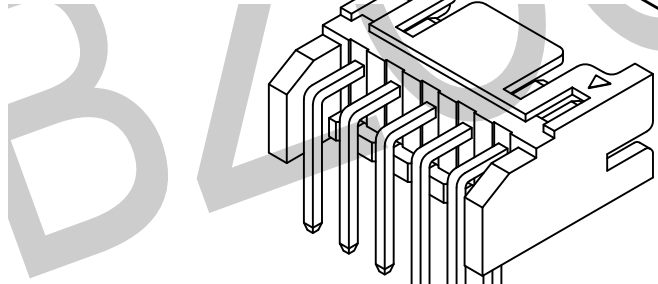
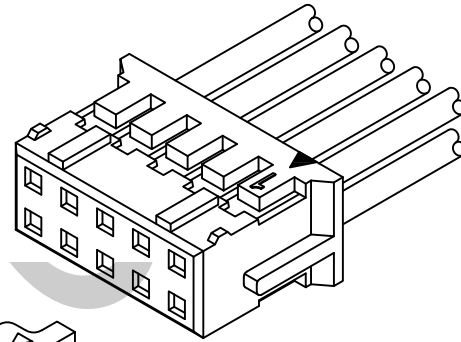
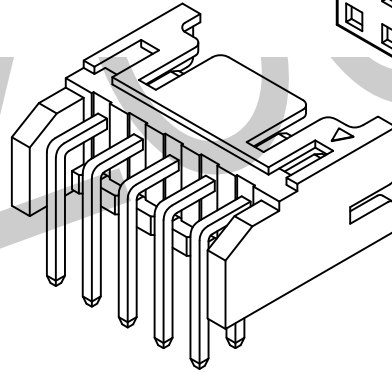
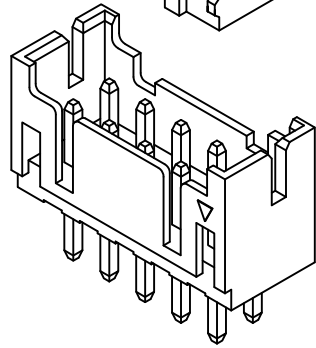
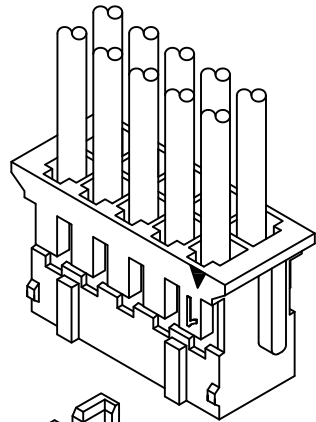




Current rating:3A AC,DC  
 Voltage rating:250V AC,DC  
 Temperature range:-40°C~+105°C  
 Contact resistance:10mΩMax.  
 Insulation resistance:1000MΩMin.  
 Withstanding voltage:800V AC/minute  
 Compliant with RoHS and REACH

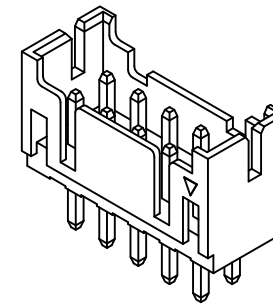
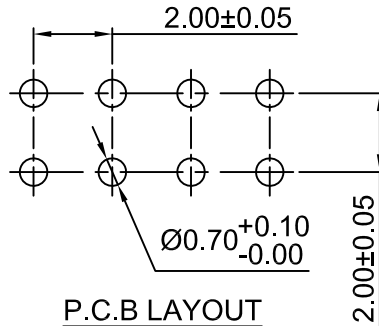
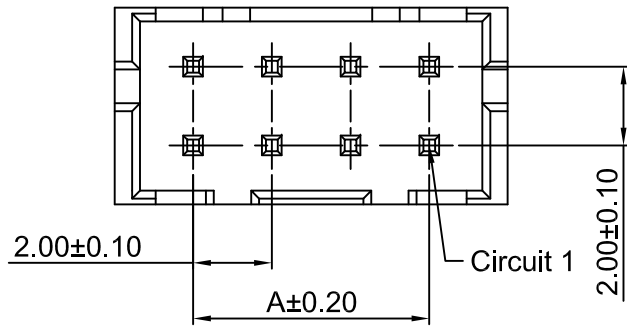


TOLERANCE UNLESS OTHERWISE SPECIFIED				<b>BZOC</b> 东莞市柏洲电子有限公司 Dongguan Bzoc Electronics, Ltd		APR. AX.T TITLE: W200-03 TYPE WAFER	
.X± 0.35	X.*± 1.5*	CHK. Y.L	PART NO.				
.XX± 0.25	.X*± 1.0*	DRA. Y.L	PROJ.		UNITS. MM	SCALE: 1:1	SHEET. 1 / 1
.XXX± 0.15	.XX*± 0.5*	REV. ECN. NO. APR. DATE		CUSTOMER DRAWING			

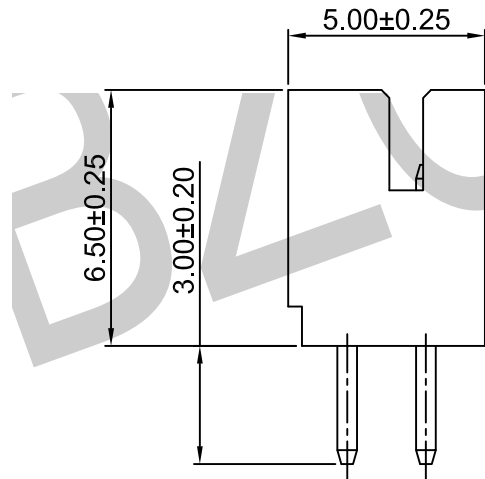
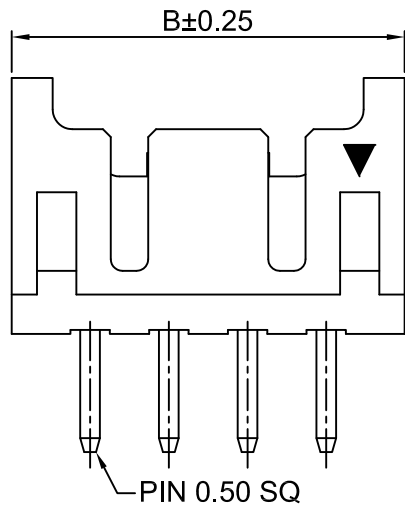
A0	FIRST RELEASE	Y.L	2019.06.21
REV.	ECN. NO.	APR.	DATE



Current rating:3A AC,DC  
 Voltage rating:250V AC,DC  
 Temperature range:-40°C~+105°C  
 Contact resistance:10mΩMax.  
 Insulation resistance:1000MΩMin.  
 Withstanding voltage:800V AC/minute  
 Material:Pin:Brass/Tin over Nickel  
 Insulator:Nylon 66,UL94V-0



PIN NO.	Dimensions	
	A	B
2X02P	2.00	6.00
2X03P	4.00	8.00
2X04P	6.00	10.00
2X05P	8.00	12.00
2X06P	10.00	14.00
2X07P	12.00	16.00
2X08P	14.00	18.00
2X09P	16.00	20.00
2X10P	18.00	22.00
2X11P	20.00	24.00
2X12P	22.00	26.00
2X13P	24.00	28.00
2X14P	26.00	30.00
2X15P	28.00	32.00
2X16P	30.00	34.00
2X17P	32.00	36.00
2X18P	34.00	38.00
2X19P	36.00	40.00
2X20P	38.00	42.00
2X21P	40.00	44.00
2X22P	42.00	46.00
2X23P	44.00	48.00
2X24P	46.00	50.00
2X25P	48.00	52.00



WAFER W 200-030-2XX-WV-SN-C-P-PC-000  
 200:间距2.0MM  
 03WAFER TYPE3  
 0:UL94V-0  
 PIN:  
 202:2\*2P  
 203:2\*3P  
 .....  
 225:2\*25P

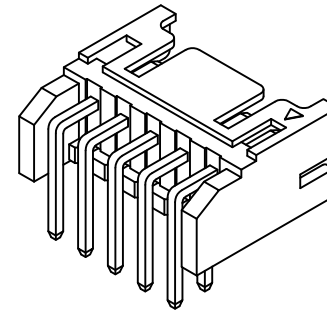
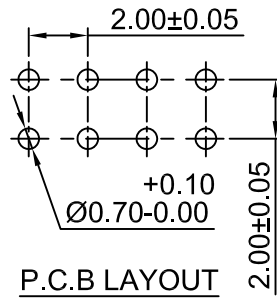
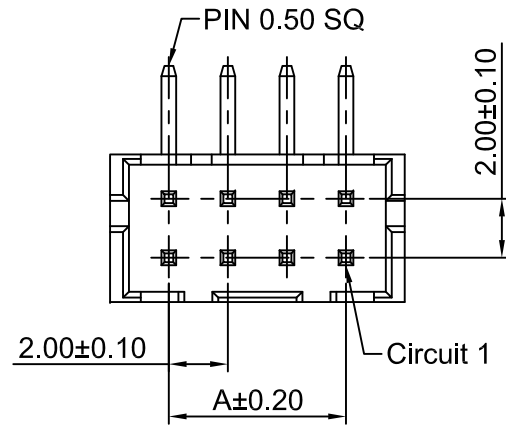
180°

流水码  
 PC:本色  
 P:袋装  
 C:PA66  
 SN:镀锡

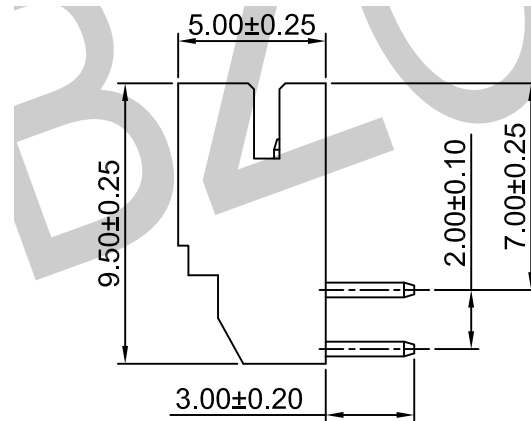
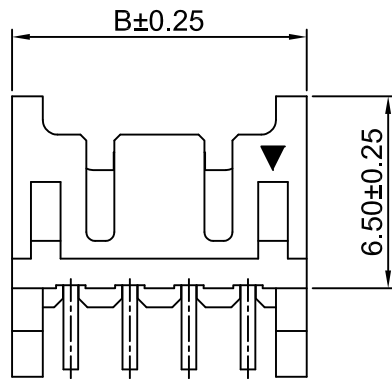
TOLERANCE UNLESS OTHERWISE SPECIFIED		<b>BZOO</b> 东莞市柏洲电子有限公司 Dongguan Bzoo Electronics, Ltd	
.X± 0.35	X.*± 1.5*	APR. AX.T	TITLE: 2.00MM PITCH 180° DUAL ROW WAFER TYPE3
.XX± 0.25	.X*± 1.0*	CHK. Y.L	PART NO.
.XXX± 0.15	.XX*± 0.5*	DRA. Y.L	PROJ.
A0	FIRST RELEASE	Y.L	2019.06.21
REV.	ECN. NO.	APR.	DATE
		UNITS. MM	SCALE: 1:1
		CUSTOMER DRAWING	
		SHEET. 1 / 1	



Current rating:3A AC,DC  
 Voltage rating:250V AC,DC  
 Temperature range:-40°C~+105°C  
 Contact resistance:10mΩMax.  
 Insulation resistance:1000MΩMin.  
 Withstanding voltage:800V AC/minute  
 Material:Pin:Brass/Tin over Nickel  
 Insulator:Nylon 66,UL94V-0



PIN NO.	Dimensions	
	A	B
2X02P	2.00	6.00
2X03P	4.00	8.00
2X04P	6.00	10.00
2X05P	8.00	12.00
2X06P	10.00	14.00
2X07P	12.00	16.00
2X08P	14.00	18.00
2X09P	16.00	20.00
2X10P	18.00	22.00
2X11P	20.00	24.00
2X12P	22.00	26.00
2X13P	24.00	28.00
2X14P	26.00	30.00
2X15P	28.00	32.00
2X16P	30.00	34.00
2X17P	32.00	36.00
2X18P	34.00	38.00
2X19P	36.00	40.00
2X20P	38.00	42.00
2X21P	40.00	44.00
2X22P	42.00	46.00
2X23P	44.00	48.00
2X24P	46.00	50.00
2X25P	48.00	52.00



WAFER W 200-030-2XX-WR-SN-C-P-PC-000  
 200:间距2.0MM  
 03WAFER TYPE3  
 0:UL94V-0  
 PIN:  
 202:2\*2P  
 203:2\*3P  
 .....  
 225:2\*25P

流水码  
 PC:本色  
 P: 袋装  
 C:PA66  
 SN:镀锡

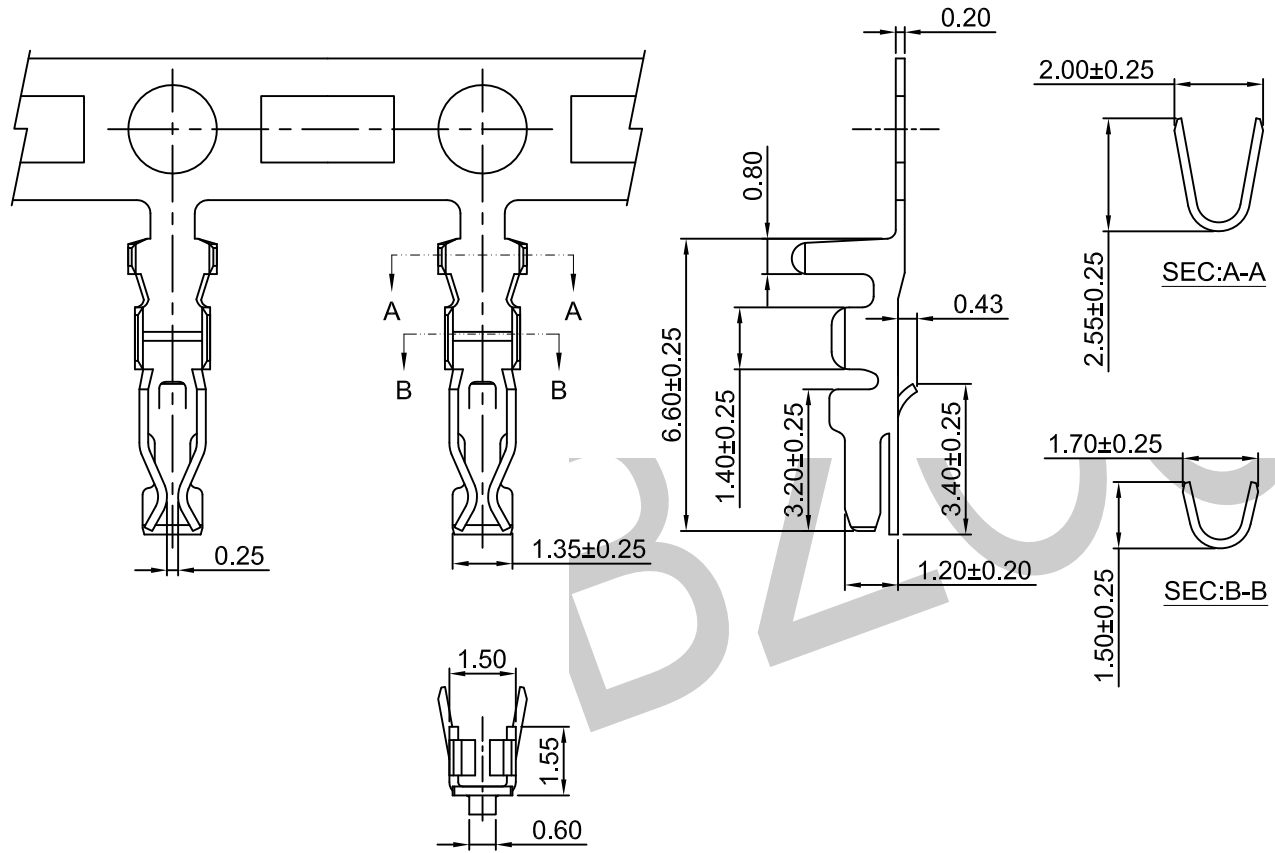
90°

TOLERANCE UNLESS OTHERWISE SPECIFIED		<b>BZOO</b> 东莞市柏洲电子有限公司 Dongguan Bzoo Electronics, Ltd	
.X± 0.35	X.'± 1.5'	APR. AX.T	TITLE: 2.00MM PITCH 90° DUAL ROW WAFER TYPE3
.XX± 0.25	.X'± 1.0'	CHK. Y.L	PART NO.
.XXX± 0.15	.XX'± 0.5'	DRA. Y.L	PROJ.
A0	FIRST RELEASE	Y.L	2019.06.21
REV.	ECN. NO.	APR.	DATE
		UNITS. MM	SCALE: 1:1
		CUSTOMER DRAWING	
		SHEET. 1 / 1	

A0	FIRST RELEASE	Y.L	2019.06.21
REV.	ECN. NO.	APR.	DATE



Current rating:3A AC,DC  
 Voltage rating:250V AC,DC  
 Temperature range:-40°C~+105°C  
 Contact resistance:10mΩMax.  
 Insulation resistance:1000MΩMin.  
 Withstanding voltage:800V AC/minute  
 Material:Phosphor Bronze  
 Wire Range:AWG#22-#28  
 Insulation O.D.:1.50mm(max)  
 Qty/reel:10,000 PCS



WAFER — W 200-03F-PDJ-SN-000 SERIAL NO.  
 200:PITCH 2.0MM  
 03:WAFER TYPE3 SN:TIN PLATING  
 F:FEMALE TERMINAL GF:GOLD PLATING  
 P:PHOSPHOR BRONZE DJ:LOW. PIN

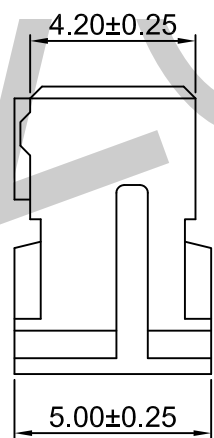
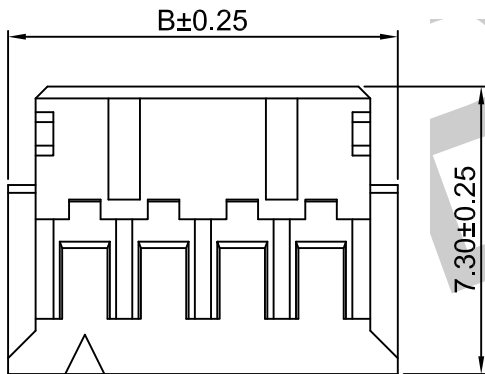
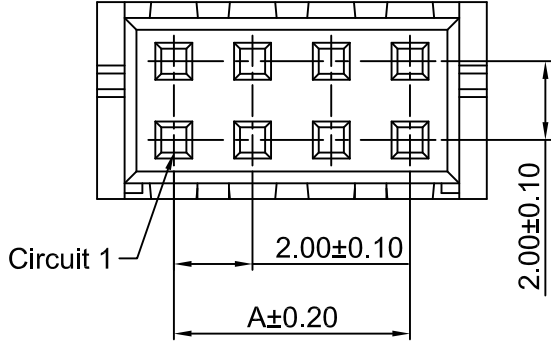
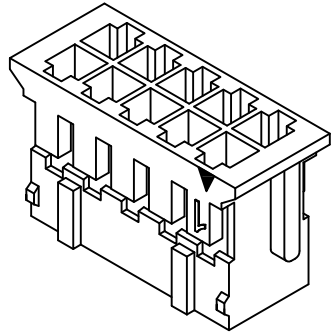
TOLERANCE UNLESS OTHERWISE SPECIFIED				东莞市柏洲电子有限公司 Dongguan BzooC Electronics, Ltd	
.X± 0.35	X.*± 1.5*	APR. AX.T	TITLE: 2.00MM PITCH CRIMP TERMINAL TYPE3		
.XX± 0.25	.X*± 1.0*	CHK. Y.L	PART NO.		
.XXX± 0.15	.XX*± 0.5*	DRA. Y.L	PROJ.	UNITS. MM	SCALE: 1:1
REV.	ECN. NO.	APR.	DATE	CUSTOMER DRAWING	
A0	FIRST RELEASE	Y.L	2019.06.21	SHEET. 1 / 1	

REV.	ECN. NO.	APR.	DATE
A0	FIRST RELEASE	Y.L	2019.06.21



PIN NO.	Dimensions	
	A	B
2X02P	2.00	5.90
2X03P	4.00	7.90
2X04P	6.00	9.90
2X05P	8.00	11.90
2X06P	10.00	13.90
2X07P	12.00	15.90
2X08P	14.00	17.90
2X09P	16.00	19.90
2X10P	18.00	21.90
2X11P	20.00	23.90
2X12P	22.00	25.90
2X13P	24.00	27.90
2X14P	26.00	29.90
2X15P	28.00	31.90
2X16P	30.00	33.90
2X17P	32.00	35.90
2X18P	34.00	37.90
2X19P	36.00	39.90
2X20P	38.00	41.90
2X21P	40.00	43.90
2X22P	42.00	45.90
2X23P	44.00	47.90
2X24P	46.00	49.90
2X25P	48.00	51.90

Current rating:3A AC,DC  
 Voltage rating:250V AC,DC  
 Temperature range:-40°C~+105°C  
 Contact resistance:10mΩMax.  
 Insulation resistance:1000MΩMin.  
 Withstanding voltage:800V AC/minute  
 Material:Nylon 66,UL94V-0



W 200-030-2XX-HM-WE-C-P-000  
 WAFFER SERIAL NO.  
 200:间距2.0MM PACKING:BAG  
 03:WAFFER TYPE3 C:PA66  
 0:UL94V-0 WE:WHITE  
 PIN NO.: HM:MALE HOUSING  
 202:2\*2P  
 203:2\*3P  
 ...  
 225:2\*25P

A0	FIRST RELEASE	Y.L	2019.06.21
REV.	ECN. NO.	APR.	DATE

TOLERANCE UNLESS OTHERWISE SPECIFIED		<b>BZOO</b> 东莞市柏洲电子有限公司 Dongguan Bzoo Electronics, Ltd	
.X± 0.35	X.*± 1.5*	APR. AX.T	TITLE: 2.00MM PITCH DUAL ROW HOUSING TYPE3
.XX± 0.25	.X*± 1.0*	CHK. Y.L	PART NO.
.XXX± 0.15	.XX*± 0.5*	DRA. Y.L	PROJ.  UNITS. MM SCALE: 1:1 SHEET. 1/1
		CUSTOMER DRAWING	