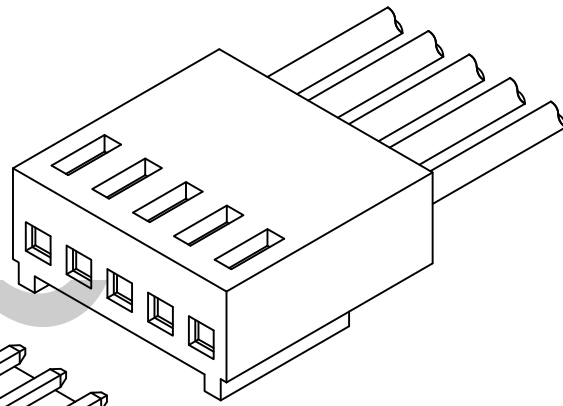
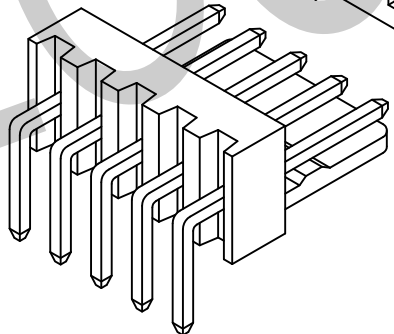
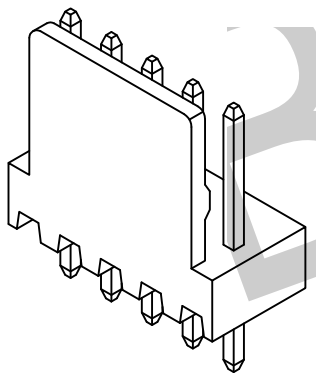
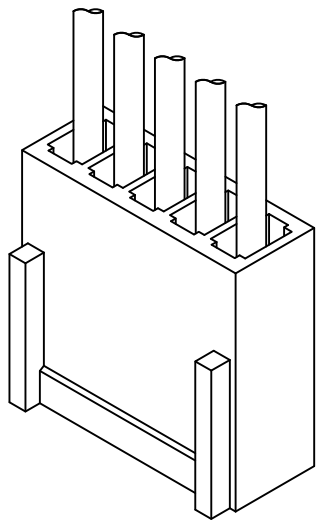




Current rating:4A AC,DC
 Voltage rating:250V AC,DC
 Temperature range:-40°C~+105°C
 Contact resistance:10mΩMax.
 Insulation resistance:1000MΩMin.
 Withstanding voltage:1000V AC/minute
 Compliant with RoHS and REACH

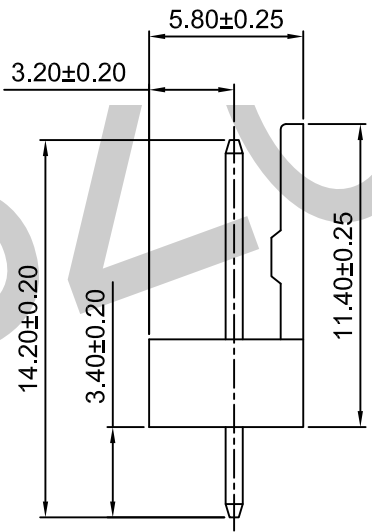
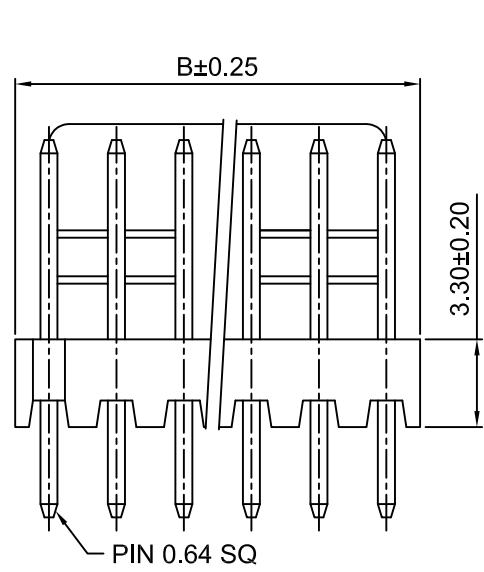
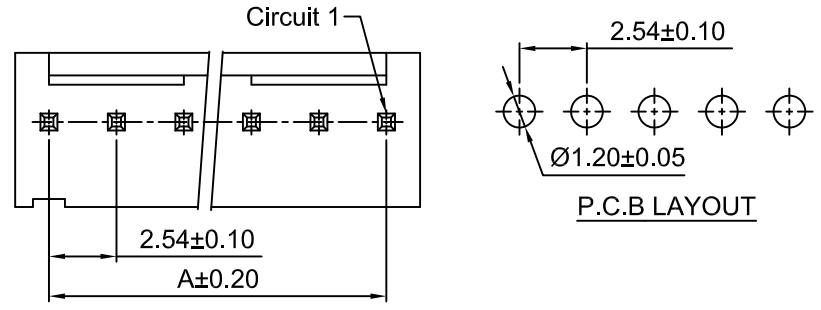
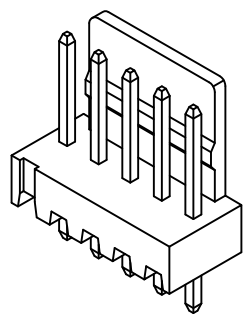


TOLERANCE UNLESS OTHERWISE SPECIFIED				东莞市柏洲电子有限公司 Dongguan BzooC Electronics, Ltd	
.X± 0.35	X.*± 1.5*	APR. AX.T	TITLE: 2.54MM PITCH CRIMP TERMINAL TYPE1		
.XX± 0.25	.X*± 1.0*	CHK. Y.L	PART NO.		
.XXX± 0.15	.XX*± 0.5*	DRA. Y.L	PROJ.	UNITS. MM	SCALE: 1:1
A0	FIRST RELEASE	Y.L	2019.06.21	CUSTOMER DRAWING	
REV.	ECN. NO.	APR.	DATE	SHEET. 1 / 1	



PIN NO.	Dimensions	
	A	B
2P	2.54	5.08
3P	5.08	7.62
4P	7.62	10.16
5P	10.16	12.70
6P	12.70	15.24
7P	15.24	17.78
8P	17.78	20.32
9P	20.32	22.86
10P	22.86	25.40
11P	25.40	27.94
12P	27.94	30.48
13P	30.48	32.02
14P	32.02	35.56
15P	35.56	38.10
16P	38.10	40.64
17P	40.64	43.18
18P	43.18	45.72
19P	45.72	48.26
20P	48.26	50.80
21P	50.80	53.34
22P	53.34	55.88
23P	55.88	58.42
24P	58.42	60.96
25P	60.96	63.50
26P	63.50	66.04
27P	66.04	68.58
28P	68.58	71.12

Current rating:4A AC,DC
 Voltage rating:250V AC,DC
 Temperature range:-40°C~+105°C
 Contact resistance:10mΩMax.
 Insulation resistance:1000MΩMin.
 Withstanding voltage:1000V AC/minute
 Material:Brass/Phosphor Bronze
 Material:Pin:Brass/Tin over Nickel
 Insulator:Nylon 66 ,UL94V-0



W 254-010-1XX-WV-SN-C-P-WE-000
 WAFFER
 254:间距2.54MM
 01:WAFFER TYPE1
 0:UL94V-0
 PIN:
 102:1*2P
 103:1*3P

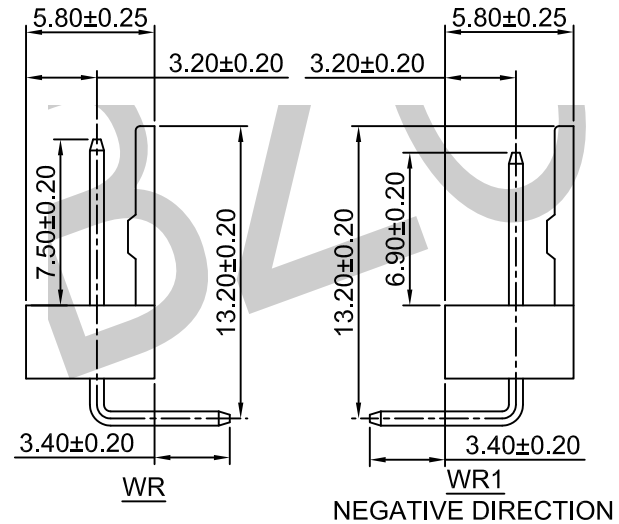
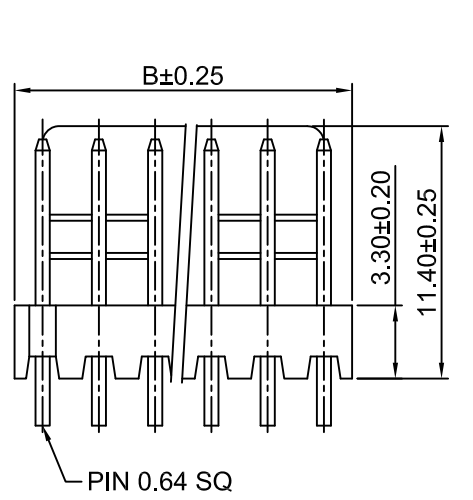
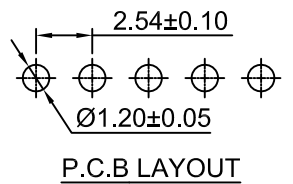
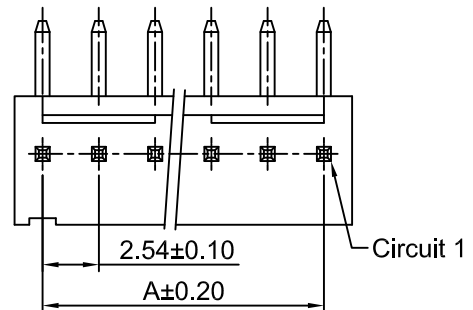
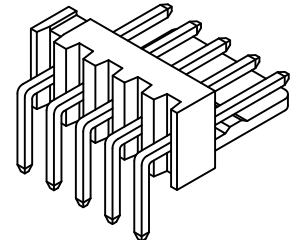
 128:1*28P
 WV:180°
 流水码
 PC:本色
 WE:白色
 P: 袋装
 C:PA66
 SN:镀锡

TOLERANCE UNLESS OTHERWISE SPECIFIED		BZOOC 东莞市柏洲电子有限公司 Dongguan BzooC Electronics, Ltd	
.X± 0.35	X.*± 1.5'	APR. AX.T	TITLE: 2.54MM PITCH 180° WAFFER TYPE1
.XX± 0.25	.X.*± 1.0'	CHK. Y.L	PART NO.
.XXX± 0.15	.XX.*± 0.5'	DRA. Y.L	PROJ. UNITS. MM SCALE: 1:1 SHEET. 1/1
REV.	ECN. NO.	APR.	DATE
A0	FIRST RELEASE	Y.L	2019.06.21
CUSTOMER DRAWING			



PIN NO.	Dimensions	
	A	B
2P	2.54	5.08
3P	5.08	7.62
4P	7.62	10.16
5P	10.16	12.70
6P	12.70	15.24
7P	15.24	17.78
8P	17.78	20.32
9P	20.32	22.86
10P	22.86	25.40
11P	25.40	27.94
12P	27.94	30.48
13P	30.48	32.02
14P	32.02	35.56
15P	35.56	38.10
16P	38.10	40.64
17P	40.64	43.18
18P	43.18	45.72
19P	45.72	48.26
20P	48.26	50.80
21P	50.80	53.34
22P	53.34	55.88
23P	55.88	58.42
24P	58.42	60.96
25P	60.96	63.50
26P	63.50	66.04
27P	66.04	68.58
28P	68.58	71.12

Current rating:4A AC,DC
 Voltage rating:250V AC,DC
 Temperature range:-40°C~+105°C
 Contact resistance:10mΩMax.
 Insulation resistance:1000MΩMin.
 Withstanding voltage:1000V AC/minute
 Material:Brass/Phosphor Bronze
 Material:Pin:Brass/Tin over Nickel
 Insulator:Nylon 66 ,UL94V-0



W 254-010-1XX-WR-SN-C-P-WE-000
 WAFER
 254:间距2.54MM
 01:WAFER TYPE1
 0:UL94V-0
 PIN:
 102:1*2P
 103:1*3P

 128:1*28P
 WR:90°
 WR1:90° NEGATIVE DIRECTION

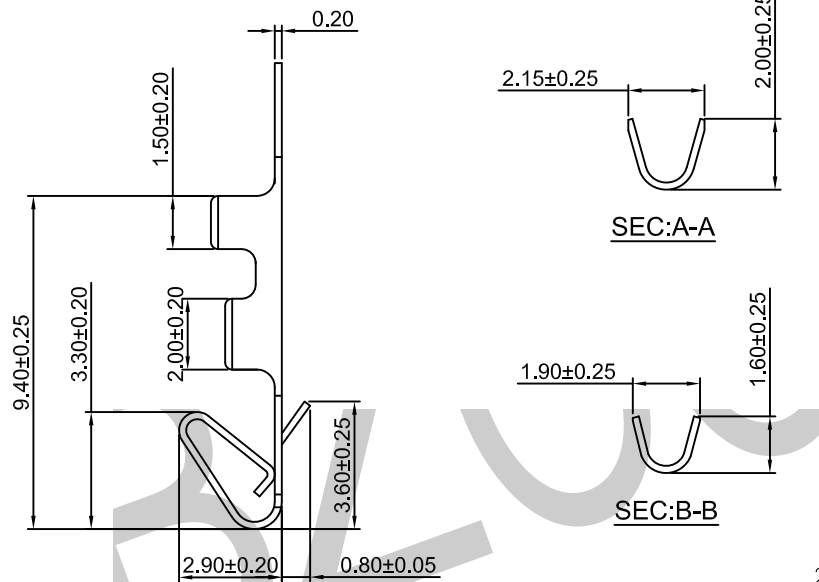
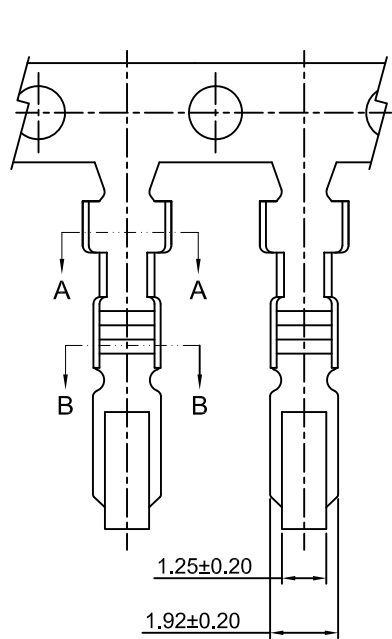
流水码
 PC:本色
 WE:白色
 P: 袋装
 C:PA66
 SN:镀锡

TOLERANCE UNLESS OTHERWISE SPECIFIED		BZOC 东莞市柏洲电子有限公司 Dongguan Bzoc Electronics, Ltd	
.X± 0.35	X.*± 1.5*	APR. AX.T	TITLE: 2.54MM PITCH 90° WAFER TYPE1
.XX± 0.25	.X*± 1.0*	CHK. Y.L	PART NO.
.XXX± 0.15	.XX*± 0.5*	DRA. Y.L	PROJ. UNITS. MM SCALE: 1:1 SHEET. 1/1
CUSTOMER DRAWING			

A0	FIRST RELEASE	Y.L	2019.06.21
REV.	ECN. NO.	APR.	DATE



Current rating:4A AC,DC
 Voltage rating:250V AC,DC
 Temperature range:-40°C~+105°C
 Contact resistance:10mΩMax.
 Insulation resistance:1000MΩMin.
 Withstanding voltage:1000V AC/minute
 Material:Brass/Phosphor Bronze
 Wire Range:AWG#22-#28
 Qty/reel: 10,000 PCS



WAFER — W 254-01F-PDJ-SN-000 SERIAL NO.
 254:PITCH 2.54MM
 01:WAFER TYPE1 SN:TIN PLATING
 F:FEMALE TERMINAL GF:GOLD PLATING
 P:PHOSPHOR BRONZE DJ:LOW. PIN

TOLERANCE UNLESS OTHERWISE SPECIFIED				东莞市柏洲电子有限公司 Dongguan BzooC Electronics, Ltd	
.X± 0.35	X.*± 1.5*	APR. AX.T	TITLE: 2.54MM PITCH CRIMP TERMINAL TYPE1		
.XX± 0.25	.X*± 1.0*	CHK. Y.L	PART NO.		
.XXX± 0.15	.XX*± 0.5*	DRA. Y.L	PROJ.	UNITS. MM	SCALE: 1:1
REV.	ECN. NO.	APR.	DATE	CUSTOMER DRAWING	SHEET. 1 / 1

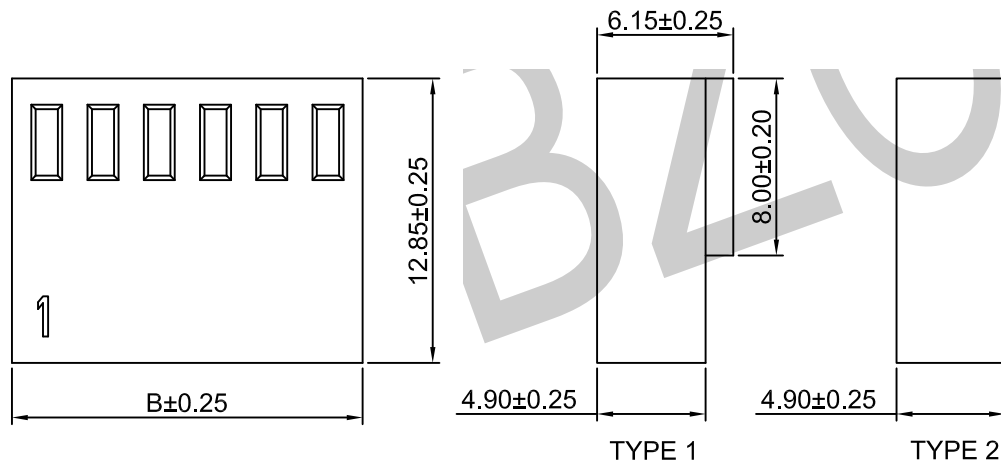
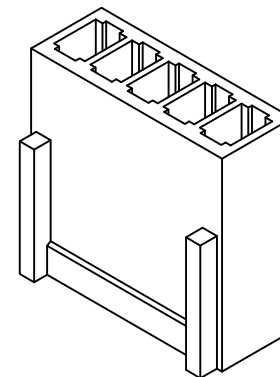
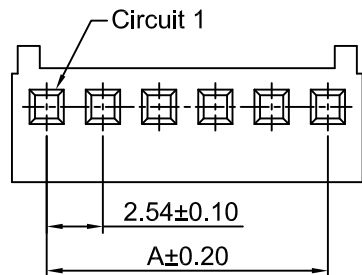
A0	FIRST RELEASE	Y.L	2019.06.21
REV.	ECN. NO.	APR.	DATE



RoHS
Compliant

Pin NO.	Dimensions	
	A	B
2P	2.54	5.68
3P	5.08	8.22
4P	7.62	10.76
5P	10.16	13.30
6P	12.70	15.84
7P	15.24	18.38
8P	17.78	20.92
9P	20.32	23.46
10P	22.86	26.00
11P	25.40	28.54
12P	27.94	31.08
13P	30.48	33.62
14P	32.02	36.16
15P	35.56	38.70
16P	38.10	41.24
17P	40.64	43.78
18P	43.18	46.32
19P	45.72	48.86
20P	48.26	51.40
21P	50.80	53.94
22P	53.34	56.48
23P	55.88	59.02
24P	58.42	61.56
25P	60.96	64.10

Current rating:4A AC,DC
Voltage rating:250V AC,DC
Temperature range:-40°C~+105°C
Contact resistance:10mΩMax.
Insulation resistance:1000MΩMin.
Withstanding voltage:1000V AC/minute
Material:Brass/Phosphor Bronze
Material:Nylon 66 ,UL94V-0



WAFER W 254-010-1XX-HM-WE-C-P-XXX
 254:间距2.54MM
 01:WAFER TYPE1
 0:UL94V-0
 PIN NO.:
 102:1*2P
 103:1*3P
 ...
 125:1*25P
 000:TYPE1
 001:TYPE2
 PACKING:BAG
 C:PA66
 WE:WHITE
 HM:MALE HOUSING

TOLERANCE UNLESS OTHERWISE SPECIFIED		BZOO 东莞市柏洲电子有限公司 Dongguan Bzoo Electronics, Ltd	
.X± 0.35	X.*± 1.5*	APR. AX.T	TITLE: 2.54MM PITCH HOUSING TYPE1
.XX± 0.25	.X*± 1.0*	CHK. Y.L	PART NO.
.XXX± 0.15	.XX*± 0.5*	DRA. Y.L	PROJ.
A0	FIRST RELEASE	Y.L	2019.06.21
REV.	ECN. NO.	APR.	DATE
UNITS. MM		SCALE: 1:1	
CUSTOMER DRAWING		SHEET. 1 / 1	

A0	FIRST RELEASE	Y.L	2019.06.21
REV.	ECN. NO.	APR.	DATE