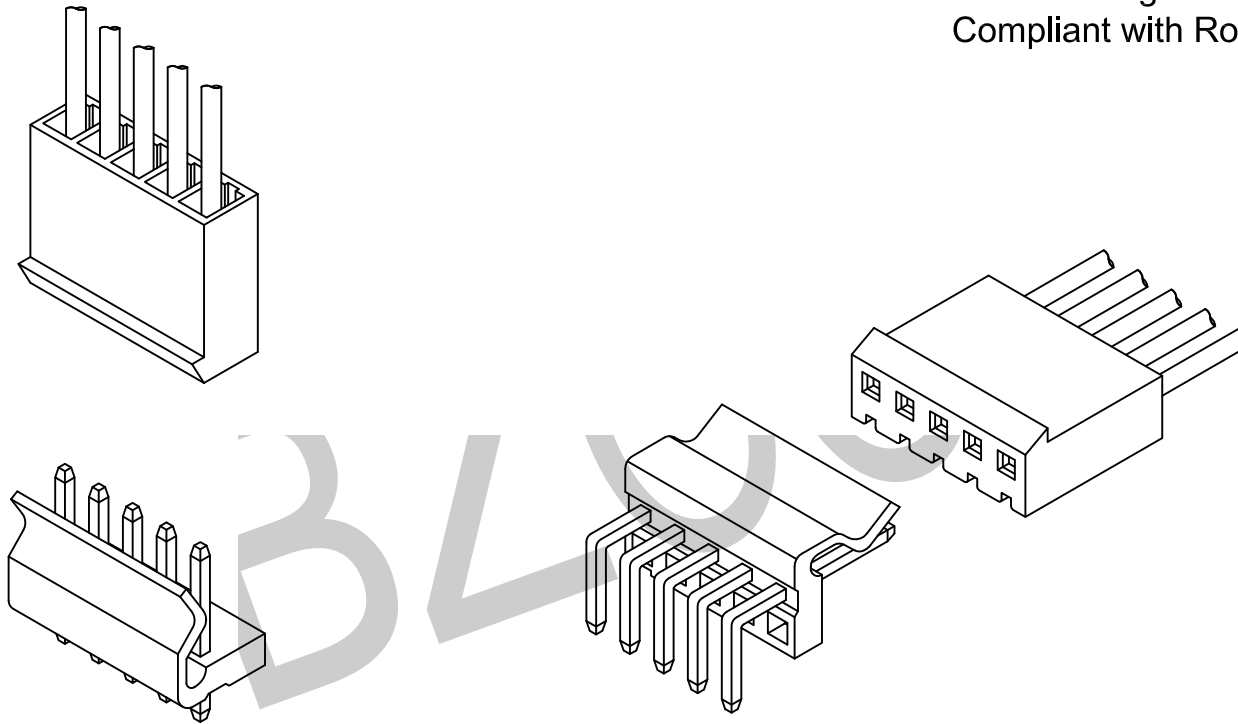




Current rating:7A AC,DC
 Voltage rating:250V AC,DC
 Temperature range:-40°C~+105°C
 Contact resistance:10mΩMax.
 Insulation resistance:1000MΩMin.
 Withstanding voltage:1500V AC/minute
 Compliant with RoHS and REACH

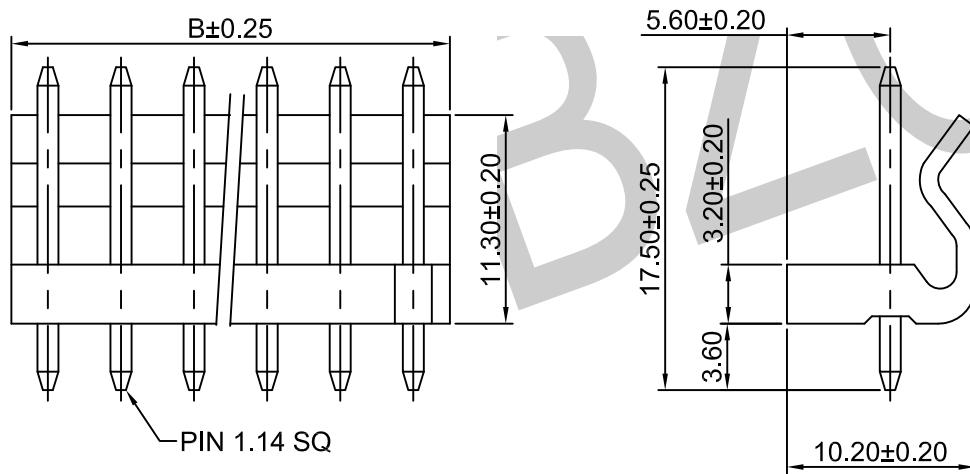
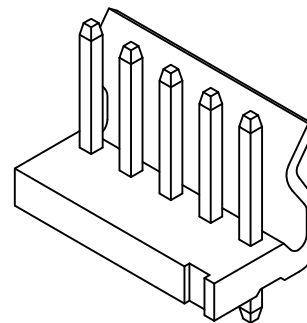
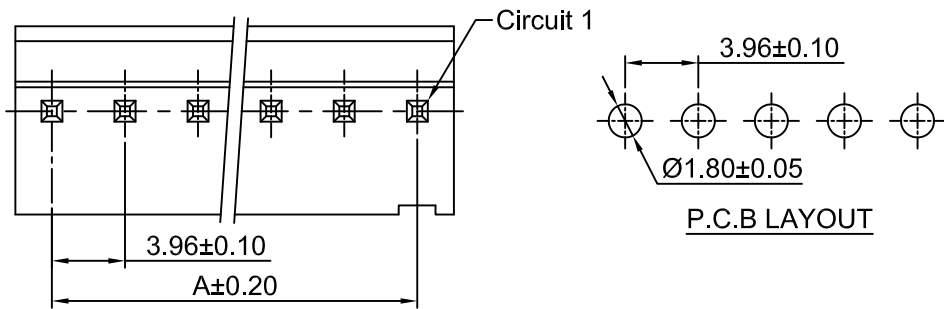


TOLERANCE UNLESS OTHERWISE SPECIFIED				东莞市柏洲电子有限公司 Dongguan BzooC Electronics, Ltd				
.X± 0.35		X.*± 1.5*		APR. AX.T	TITLE: W396-01 TYPE WAFER			
.XX± 0.25		.X*± 1.0*		CHK. Y.L	PART NO.			
.XXX± 0.15		.XX*± 0.5*		DRA. Y.L	PROJ.	UNITS. MM	SCALE: 1:1	SHEET. 1 / 1
A0	FIRST RELEASE	Y.L	2019.06.21	CUSTOMER DRAWING				
REV.	ECN. NO.	APR.	DATE					



Current rating:7A AC,DC
 Voltage rating:250V AC,DC
 Temperature range:-40°C~+105°C
 Contact resistance:10mΩMax.
 Insulation resistance:1000MΩMin.
 Withstanding voltage:1500V AC/minute
 Material:Pin:Brass/Tin over Nickel
 Insulator:Nylon 66,UL94V-2

PIN NO.	Dimensions	
	A	B
2P	3.96	8.43
3P	7.92	12.39
4P	11.88	16.35
5P	15.84	20.31
6P	19.80	24.27
7P	23.76	28.23
8P	27.72	32.19
9P	31.68	36.15
10P	35.64	40.11
11P	39.60	44.07
12P	43.56	48.03
13P	47.52	51.99
14P	51.48	55.95
15P	55.44	59.91
16P	59.40	63.87
17P	63.36	67.83
18P	67.32	71.79
19P	71.28	75.75
20P	75.24	79.71
21P	79.20	83.16
22P	83.16	87.12
23P	87.12	91.08
24P	91.08	95.04



WAFER W 396-012-1XX-WV-SN-C-P-PC-000 SERIAL NO.
 396:间距3.96MM PC:PRIMARY COLORS
 01:WAFER TYPE1 PACKING:BAG
 2:UL94V-2 C:PA66
 PIN NO.: SN:TIN PLATING
 102:1*2P
 103:1*3P
 ...
 124:1*24P
 WV:180°

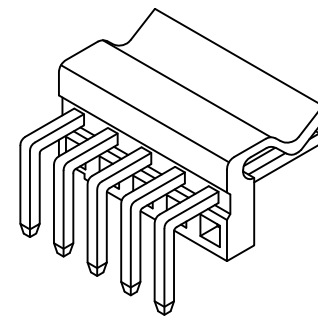
TOLERANCE UNLESS OTHERWISE SPECIFIED				BZOOO 东莞市柏洲电子有限公司 Dongguan Bzooo Electronics, Ltd	
.X± 0.35	X.*± 1.5*	APR. AX.T	TITLE: 3.96MM PITCH 180° WAFER TYPE1		
.XX± 0.25	.X*± 1.0*	CHK. Y.L	PART NO.		
.XXX± 0.15	.XX*± 0.5*	DRA. Y.L	PROJ.	UNITS. MM	SCALE. 1:1
REV.	ECN. NO.	APR.	DATE	CUSTOMER DRAWING	

A0	FIRST RELEASE	Y.L	2019.06.21
REV.	ECN. NO.	APR.	DATE



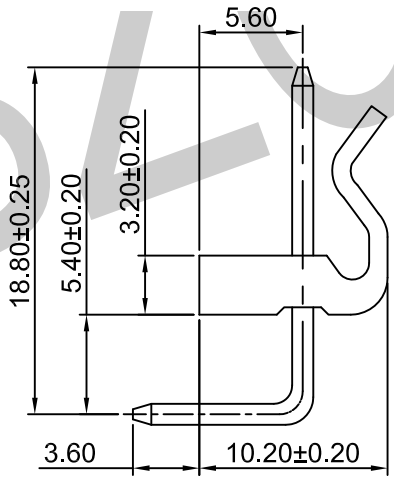
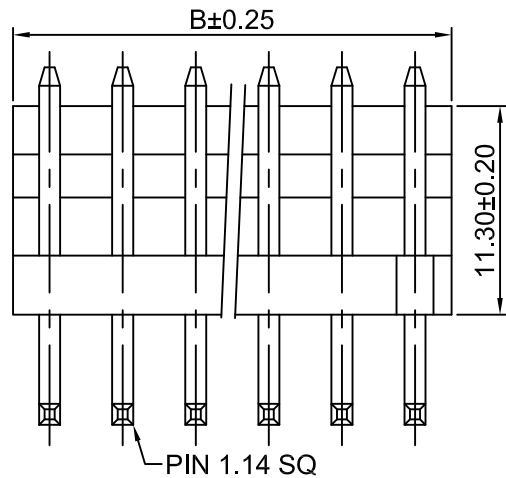
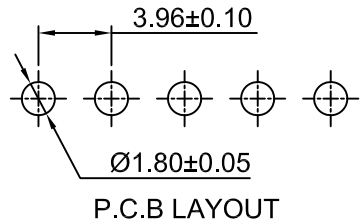
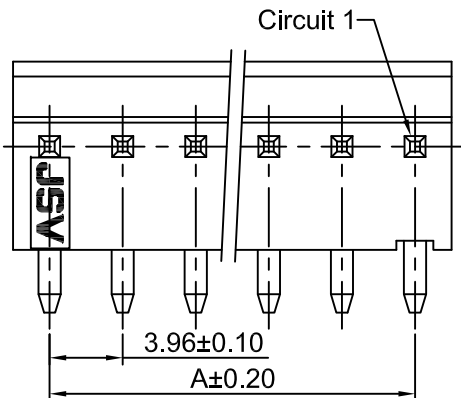
Current rating:7A AC,DC
 Voltage rating:250V AC,DC
 Temperature range:-40°C~+105°C
 Contact resistance:10mΩMax.
 Insulation resistance:1000MΩMin.
 Withstanding voltage:1500V AC/minute
 Material:Pin:Brass/Tin over Nickel
 Insulator:Nylon 66,UL94V-2

PIN NO.	Dimensions	
	A	B
2P	3.96	8.43
3P	7.92	12.39
4P	11.88	16.35
5P	15.84	20.31
6P	19.80	24.27
7P	23.76	28.23
8P	27.72	32.19
9P	31.68	36.15
10P	35.64	40.11
11P	39.60	44.07
12P	43.56	48.03
13P	47.52	51.99
14P	51.48	55.95
15P	55.44	59.91
16P	59.40	63.87
17P	63.36	67.83
18P	67.32	71.79
19P	71.28	75.75
20P	75.24	79.71
21P	79.20	83.66
22P	83.16	87.62
23P	87.12	91.58
24P	91.08	95.54



A
B
C
D
E
F

A
B
C
D
E
F



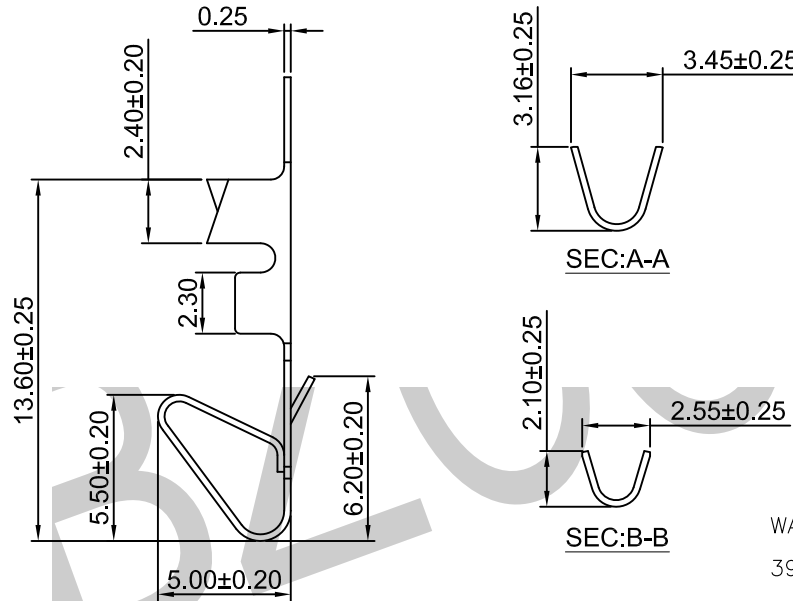
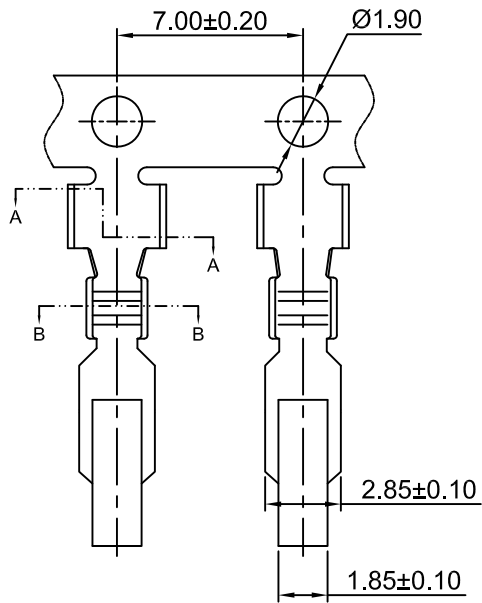
WAFER W 396-012-1XX-WR-SN-C-P-PC-000 SERIAL NO.
 396:间距3.96MM
 01:WAFER TYPE1
 2:UL94V-2
 PIN NO.:
 102:1*2P
 103:1*3P
 ...
 124:1*24P
 WR:90°
 PC:PRIMARY COLORS
 PACKING:BAG
 C:PA66
 SN:TIN PLATING

TOLERANCE UNLESS OTHERWISE SPECIFIED		BZOO 东莞市柏洲电子有限公司 Dongguan Bzoo Electronics, Ltd	
.X± 0.35	X.*± 1.5'	APR. AX.T	TITLE: 3.96MM PITCH 90° WAFER TYPE1
.XX± 0.25	.X.*± 1.0'	CHK. Y.L	PART NO.
.XXX± 0.15	.XX.*± 0.5'	DRA. Y.L	PROJ.
A0	FIRST RELEASE	Y.L	2019.06.21
REV.	ECN. NO.	APR.	DATE
		UNITS. MM	SCALE: 1:1
		CUSTOMER DRAWING	
		SHEET. 1 / 1	

1 2 3 4 5 6 7 8



Current rating:7A AC,DC
 Voltage rating:250V AC,DC
 Temperature range:-40°C~+105°C
 Contact resistance:10mΩMax.
 Insulation resistance:1000MΩMin.
 Withstanding voltage:1500V AC/minute
 Material:Brass/Phosphor Bronze
 Wire Range:AWG#18-#24
 Insulation O.D.:2.80mm(max)
 Qty/reel:6,000 PCS



WAFER ——— W 396-01F-XDJ-SN-000 SERIAL NO.
 396:PITCH 3.96MM ——— SN:TIN PLATING
 01:WAFER TYPE1 ——— GF:GOLD PLATING
 F:FEMALE TERMINAL ——— DJ:LOW. PIN
 P:PHOSPHOR BRONZE
 B:BRASS

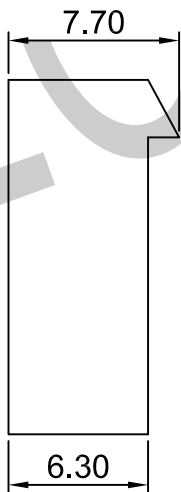
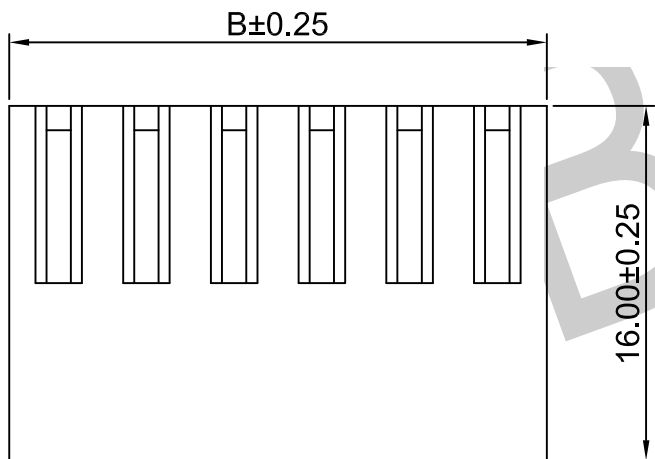
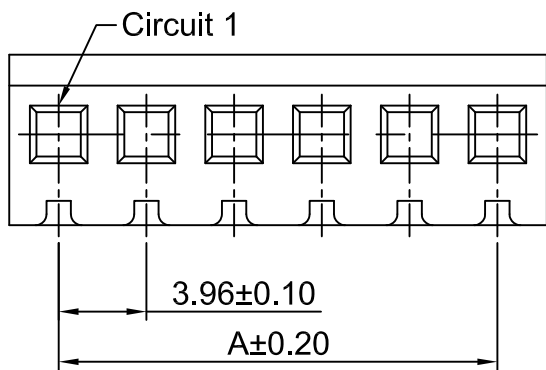
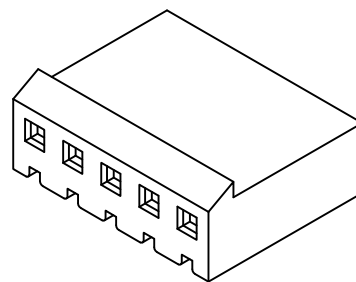
AO	FIRST RELEASE	Y.L	2019.06.21
REV.	ECN. NO.	APR.	DATE

TOLERANCE UNLESS OTHERWISE SPECIFIED		BZOOC 东莞市柏洲电子有限公司 Dongguan BzooC Electronics, Ltd	
.X± 0.35	X.*± 1.5*	APR. AX.T	TITLE: 3.96MM PITCH CRIMP TERMINAL TYPE1
.XX± 0.25	.X*± 1.0*	CHK. Y.L	PART NO.
.XXX± 0.15	.XX*± 0.5*	DRA. Y.L	PROJ.
		UNITS. MM	SCALE: 1:1
		CUSTOMER DRAWING	
		SHEET. 1 / 1	



PIN NO.	Dimensions	
	A	B
2P	3.96	8.43
3P	7.92	12.39
4P	11.88	16.35
5P	15.84	20.31
6P	19.80	24.27
7P	23.76	28.23
8P	27.72	32.19
9P	31.68	36.15
10P	35.64	40.11
11P	39.60	44.07
12P	43.56	48.03
13P	47.52	51.99
14P	51.48	55.95
15P	55.44	59.91
16P	59.40	63.87
17P	63.36	67.83
18P	67.32	71.79
19P	71.28	75.75
20P	75.24	79.71
21P	79.20	83.66
22P	83.16	87.62
23P	87.12	91.58
24P	91.08	95.54

Current rating:7A AC,DC
 Voltage rating:250V AC,DC
 Temperature range:-40°C~+105°C
 Contact resistance:10mΩMax.
 Insulation resistance:1000MΩMin.
 Withstanding voltage:1500V AC/minute
 Material:Nylon 66,UL94V-2



WAFER W 396-012-1XX-HM-PC-C-P-000 SERIAL NO.
 396:间距3.96MM PACKING:BAG
 01:WAFER TYPE1 C:PA66
 2:UL94V-2 PC:PRIMARY COLORS
 PIN NO.: HM:MALE HOUSING
 102:1*2P
 103:1*3P
 ...
 124:1*24P

TOLERANCE UNLESS OTHERWISE SPECIFIED		BZOOC 东莞市柏洲电子有限公司 Dongguan BzooC Electronics, Ltd	
.X± 0.35	X.*± 1.5*	APR. AX.T	TITLE: 3.96MM PITCH HOUSING TYPE1
.XX± 0.25	.X*± 1.0*	CHK. Y.L	PART NO.
.XXX± 0.15	.XX*± 0.5*	DRA. Y.L	PROJ. UNITS. MM SCALE: 1:1 SHEET. 1 / 1
CUSTOMER DRAWING			

A0	FIRST RELEASE	Y.L	2019.06.21
REV.	ECN. NO.	APR.	DATE