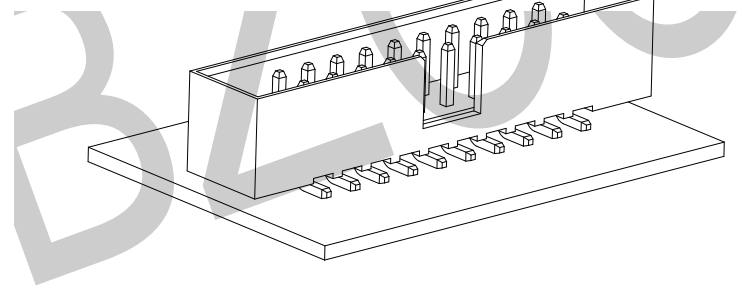
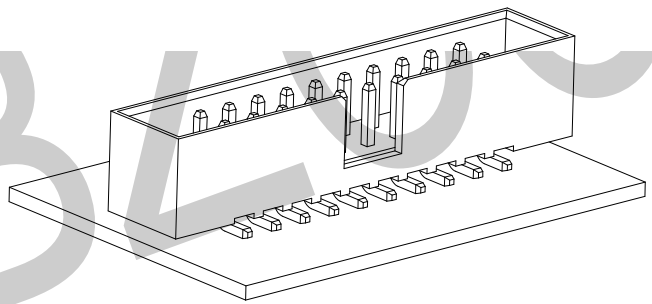
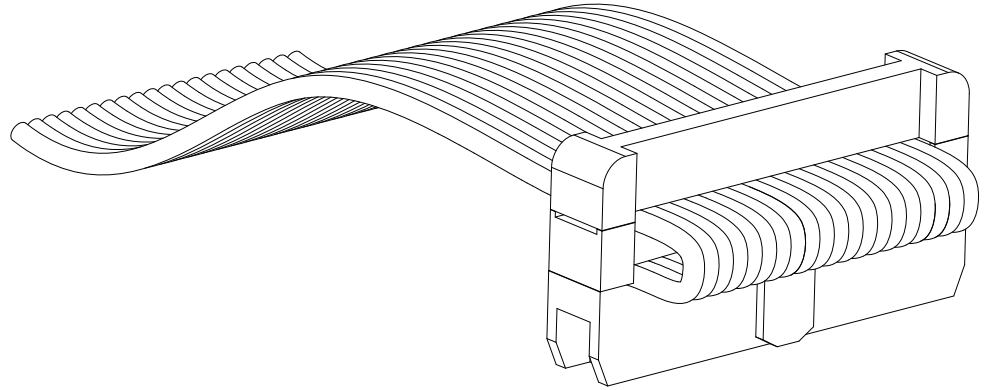




MATERIAL :
 INSULATOR : PBT OR PA6T +GLASS FIBER UL94V-0
 CONTACT : COPPER ALLOY
 SPECIFICATION:
 CURRENT RATING : 1Amp
 Withstanding voltage: AC 500v for 1 Minute.
 Insulation resistance :1000M Ω MAX. AT DC 500V.
 CONTACT resistance : 20m Ω Min.
 OPERating temperature: -40°C + 105°C

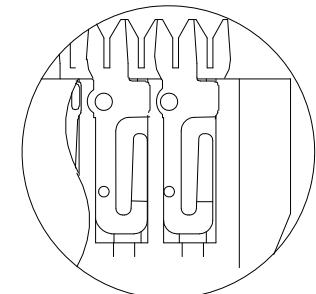
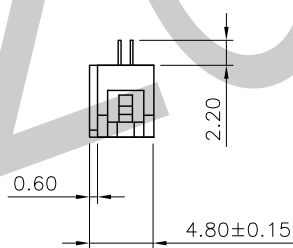
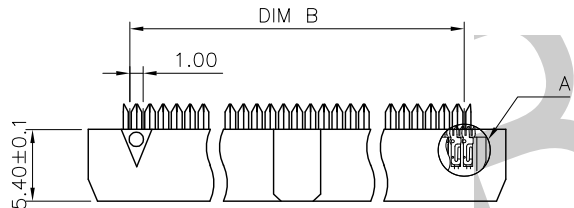
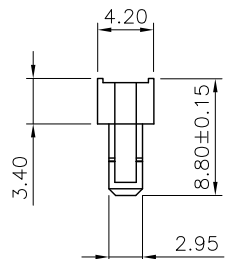
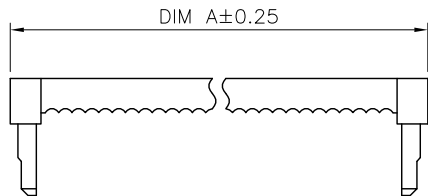
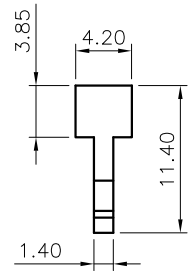
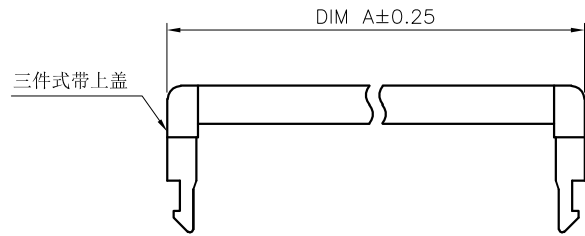


TOLERANCE UNLESS OTHERWISE SPECIFIED				东莞市柏洲电子有限公司 Dongguan Bzoooc Electronics, Ltd			
.X± 0.35	X.*± 1.5*	APR. AX.T	TITLE: BOX2.0 Header TYPE				
.XX± 0.25	.X*± 1.0*	CHK. Y.L	PART NO.				
.XXX± 0.15	.XX*± 0.5*	DRA. Y.L	PROJ.	UNITS. MM	SCALE: 1:1	SHEET. 1 / 1	
CUSTOMER DRAWING							

A0	FIRST RELEASE	Y.L	2019.06.21
REV.	ECN. NO.	APR.	DATE



MATERIAL :
 INSULATOR : PBT +GLASS FIBER UL94V-0
 CONTACT : COPPER ALLOY WITH GOLD OR
 TIN OVER NICKEL PLATED .
 SPECIFICATION:
 CURRENT RATING : 1Amp
 Withstanding voltage: AC 500v for 1 Minute.
 Insulation resistance :500M Ω MAX. AT DC 500V.
 CONTACT resistance : 20m Ω Min.
 OPERating temperature: -40°C + 105°C

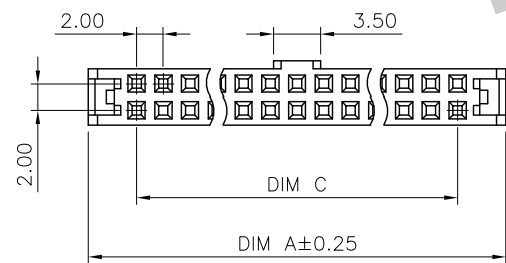


视图 A
弹片式端子

FC 200-0X-2XX-A-XX-D-000
 IDC排线头
 200:间距2.0MM
 02:两件式
 03:三件式
 PIN数:
 203:2*3P

 240:2*40P
 流水码
 包装方式
 D:盘装
 胶壳颜色:
 CY:灰色
 BK:黑色
 塑胶材质:PBT

PIN No.	DIM A	DIM B	DIM C
6	11.40	5.00	4.00
8	13.40	7.00	6.00
10	15.40	9.00	8.00
12	17.40	11.00	10.00
14	19.40	13.00	12.00
16	21.40	15.00	14.00
18	23.40	17.00	16.00
20	25.40	19.00	18.00
22	27.40	21.00	20.00
24	29.40	23.00	22.00
26	31.40	25.00	24.00
28	33.40	27.00	26.00
30	35.40	29.00	28.00
32	37.40	31.00	30.00
34	39.40	33.00	32.00
36	41.40	35.00	34.00
38	43.40	37.00	36.00
40	45.40	39.00	38.00
44	49.40	43.00	42.00
48	53.40	47.00	46.00
50	55.40	49.00	48.00
54	59.40	53.00	52.00
56	61.40	55.00	54.00
60	65.40	59.00	58.00
62	67.40	61.00	60.00
64	69.40	63.00	62.00
68	73.40	67.00	66.00
80	85.40	79.00	78.00



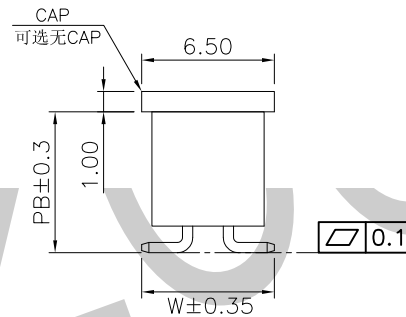
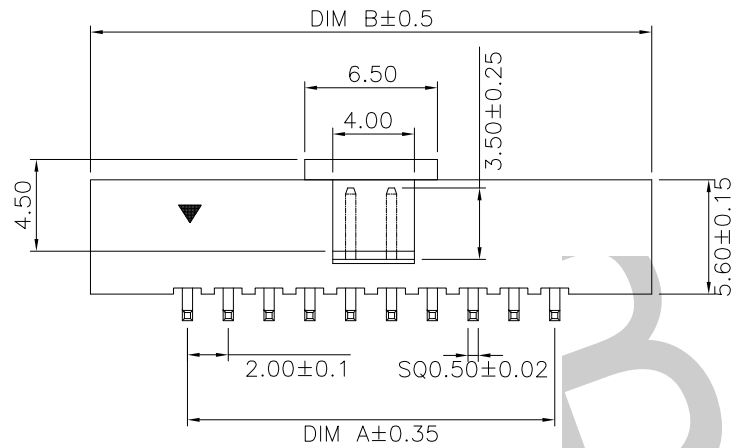
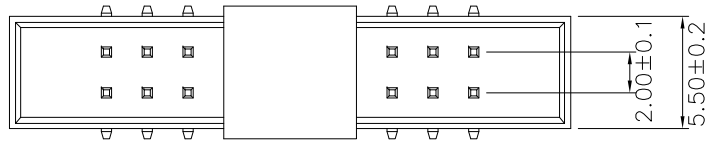
TOLERANCE UNLESS OTHERWISE SPECIFIED		BZOO 东莞市柏洲电子有限公司 Dongguan Bzoo Electronics, Ltd	
.X± 0.35	X.*± 1.5*	APR. AX.T	TITLE: 2.0 PITCH IDC TYPE
.XX± 0.25	.X*± 1.0*	CHK. Y.L	PART NO.
.XXX± 0.15	.XX*± 0.5*	DRA. Y.L	PROJ. UNITS. MM SCALE: 1:1 SHEET. 1/1
CUSTOMER DRAWING			

A0	FIRST RELEASE	Y.L	2019.06.21
REV.	ECN. NO.	APR.	DATE



技术参数/Technical parameters

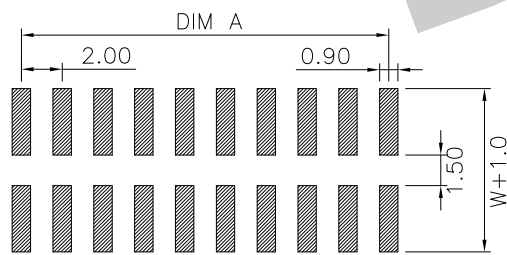
额定电流/Current Rating : 2AMP
 绝缘阻抗/Insulator Resistance : 1000MΩ Min.
 接触阻抗/Contact Resistance : 20mΩ Max.
 耐电压值/Voltage Resistance : AC 500V
 工作温度/Operating Temperature : -40°C ~ +105°C
 金属材料/Metallic Material : Copper alloy
 金属处理/Metal Treatment : Ni(30~50u") + See description
 绝缘材料/Insulator Material : PA6T/PA9T/LCP UL94V-0
 耐焊接热/Resistance To Soldering Heat : 260° C ± 5° C 10S MAX



PB	W
6.9	6.5
可定制	

PIN NO.	DIM A	DIM B	PIN NO.	DIM A	DIM B
2*3	4.00	13.34	2*21	40.00	49.34
2*4	6.00	15.34	2*22	42.00	51.34
2*5	8.00	17.34	2*23	44.00	53.34
2*6	10.00	19.34	2*24	46.00	55.34
2*7	12.00	21.34	2*25	48.00	57.34
2*8	14.00	23.34	2*26	50.00	59.34
2*9	16.00	25.34	2*27	52.00	61.34
2*10	18.00	27.34	2*28	54.00	63.34
2*11	20.00	29.34	2*29	56.00	65.34
2*12	22.00	31.34	2*30	58.00	67.34
2*13	24.00	33.34	2*31	60.00	69.34
2*14	26.00	35.34	2*32	62.00	71.34
2*15	28.00	37.34	2*33	64.00	73.34
2*16	30.00	39.34	2*34	66.00	75.34
2*17	32.00	41.34			
2*18	34.00	43.34			
2*19	36.00	45.34			
2*20	38.00	47.34			

B 200-056-2XX-WVS-GF-X-D-W65-000
 筒牛(BOX HEADER) 流水码
 200:PITCH2.0MM W:6.5MM
 H:5.6MM
 PIN数: 包装方式
 204:2X4P D:管装
 ... D:吸塑盒装
 234:2X34P 180° SMT RC:卷装+CAP
 塑胶材质:
 D:PA6T
 E:PA9T
 F:LCP
 电镀:
 GF:镀金
 G1:镀金 1U"
 G5:镀金 5U"
 G10:镀金10"



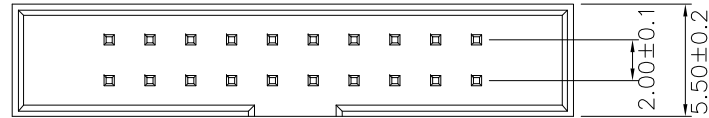
Recommended PCB layout

TOLERANCE UNLESS OTHERWISE SPECIFIED				东莞市柏洲电子有限公司 Dongguan BzooC Electronics, Ltd	
.X± 0.35	X.'± 1.5'	APR. AX.T	TITLE: 2.0*5.6 BOX HEADER SMT TYPE		
.XX± 0.25	.X'± 1.0'	CHK. Y.L	PART NO.		
.XXX± 0.15	.XX'± 0.5'	DRA. Y.L	PROJ.	UNITS. MM	SCALE: 1:1
A0	FIRST RELEASE	Y.L	2019.06.21	CUSTOMER DRAWING	SHEET. 1 / 1
REV.	ECN. NO.	APR.	DATE		



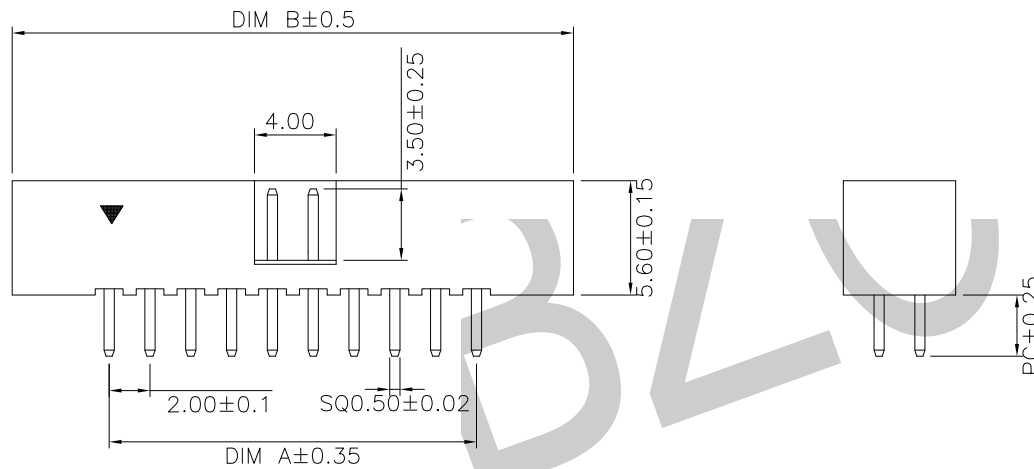
技术参数/Technical parameters

额定电流/Current Rating : 2AMP
 绝缘阻抗/Insulator Resistance : 1000MΩ Min.
 接触阻抗/Contact Resistance : 20mΩ Max.
 耐压值/Voltage Resistance : AC 500V
 工作温度/Operating Temperature : -40°C ~ +105°C
 金属材料/Metallic Material : Copper alloy
 金属处理/Metal Treatment : Ni(30~50u") + See description
 绝缘材料/Insulator Material : PA6T/PA9T/LCP UL94V-0
 耐焊接热/Resistance To Soldering Heat : 260° C ± 5° C 10S MAX

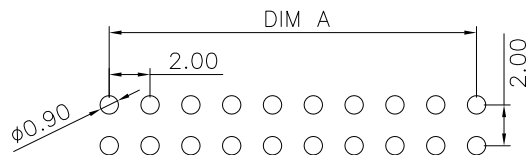


PC
 3.0
 可定制

PIN NO.	DIM A	DIM B	PIN NO.	DIM A	DIM B
2*3	4.00	13.34	2*21	40.00	49.34
2*4	6.00	15.34	2*22	42.00	51.34
2*5	8.00	17.34	2*23	44.00	53.34
2*6	10.00	19.34	2*24	46.00	55.34
2*7	12.00	21.34	2*25	48.00	57.34
2*8	14.00	23.34	2*26	50.00	59.34
2*9	16.00	25.34	2*27	52.00	61.34
2*10	18.00	27.34	2*28	54.00	63.34
2*11	20.00	29.34	2*29	56.00	65.34
2*12	22.00	31.34	2*30	58.00	67.34
2*13	24.00	33.34	2*31	60.00	69.34
2*14	26.00	35.34	2*32	62.00	71.34
2*15	28.00	37.34	2*33	64.00	73.34
2*16	30.00	39.34	2*34	66.00	75.34
2*17	32.00	41.34			
2*18	34.00	43.34			
2*19	36.00	45.34			
2*20	38.00	47.34			



B 200-056-2XX-WV-GF-X-X-W65-000
 筒牛(BOX HEADER) 流水码
 200:PITCH2.0MM W:6.5MM
 H:5.6MM
 PIN数: 包装方式
 204:2X4P T:管装
 ... D:吸塑盒装
 234:2X34P 180°
 电镀: 塑胶材质:
 GF:镀金 D:PA6T
 G1:镀金 1U" E:PA9T
 G5:镀金 5U" F:LCP
 G10:镀金10"



Recommended PCB layout

TOLERANCE UNLESS OTHERWISE SPECIFIED				东莞市柏洲电子有限公司 Dongguan Bzoc Electronics, Ltd	
.X± 0.35	X.'± 1.5'	APR. AX.T	TITLE: 2.0*5.6 BOX HEADER 180° TYPE		
.XX± 0.25	.X'± 1.0'	CHK. Y.L	PART NO.		
.XXX± 0.15	.XX'± 0.5'	DRA. Y.L	PROJ.	UNITS. MM	SCALE: 1:1
REV.	ECN. NO.	APR.	DATE	CUSTOMER DRAWING	
A0	FIRST RELEASE	Y.L	2019.06.21	SHEET. 1 / 1	

REV.	ECN. NO.	APR.	DATE
A0	FIRST RELEASE	Y.L	2019.06.21