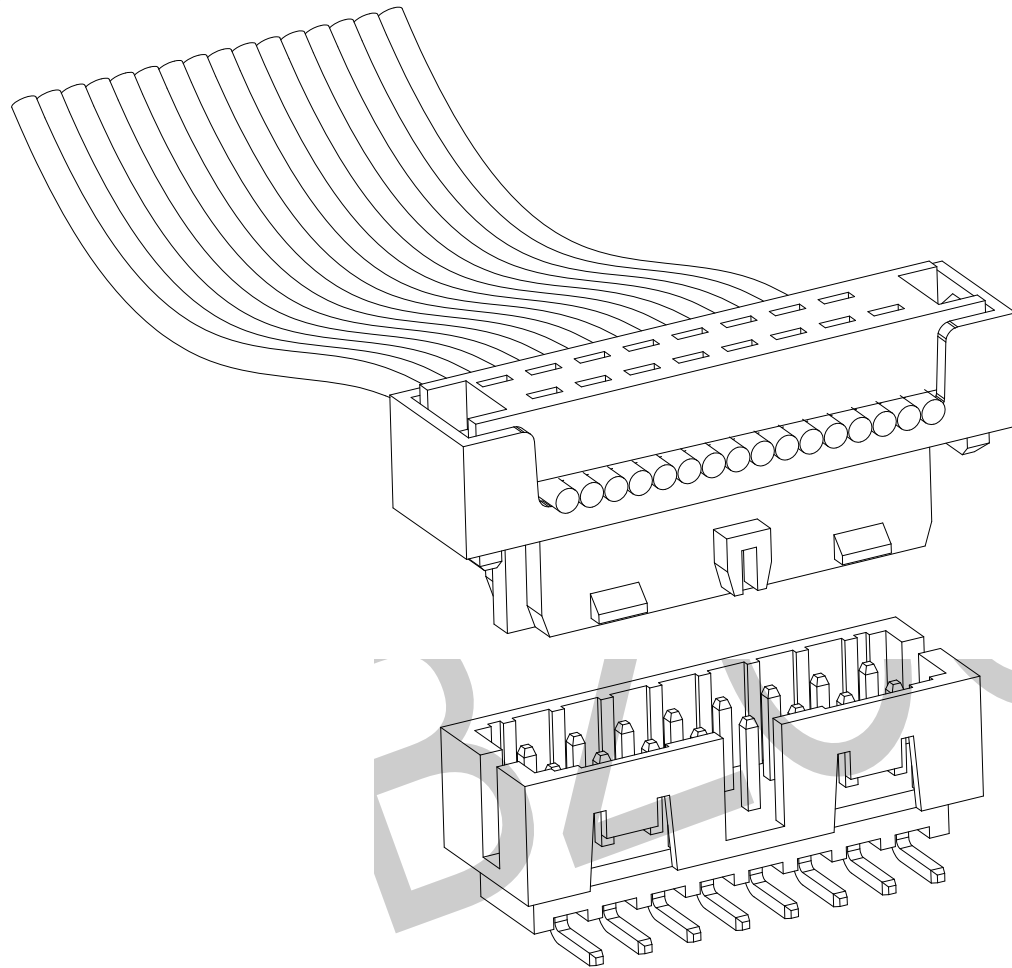


技术参数/Technical parameters

额定电流/Current Rating	:2AMP
绝缘阻抗/Insulator Resistance	:1000MΩ Min.
接触阻抗/Contact Resistance	:20mΩ Max.
耐电压值/Voltage Resistance	:AC 500V
工作温度/Operating Temperature	:-40°C ~ +105°C
金属材料/Metallic Material	:Copper alloy
金属处理/Metal Treatment	:Ni (30~50u") + See description
绝缘材料/Insulator Material	:PA6T/PA9T/LCP UL94V-0
耐焊接热/Resistance To Soldering Heat	:260° C ±5° C 10S MAX

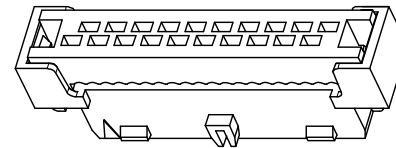
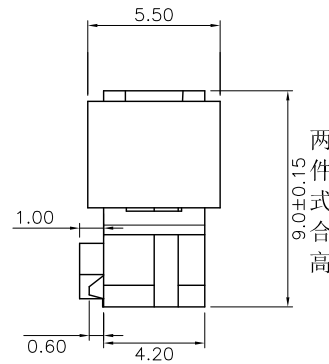
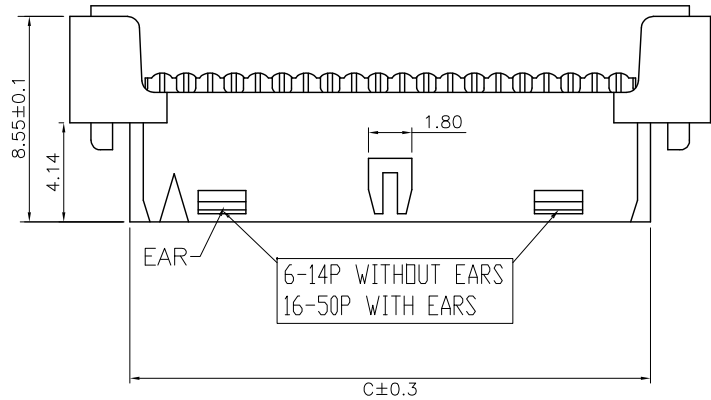


TOLERANCE UNLESS OTHERWISE SPECIFIED		<b>BZOOC</b> 东莞市柏洲电子有限公司 Dongguan BzooC Electronics, Ltd	
.X± 0.35	X.*± 1.5*	APR. AX.T	TITLE: 2.0*6.4 MOLEX BOX HEADER TYPE
.XX± 0.25	.X*± 1.0*	CHK. Y.L	PART NO.
.XXX± 0.15	.XX*± 0.5*	DRA. Y.L	PROJ.  UNITS. MM SCALE: 1:1 CUSTOMER DRAWING SHEET. 1 / 1

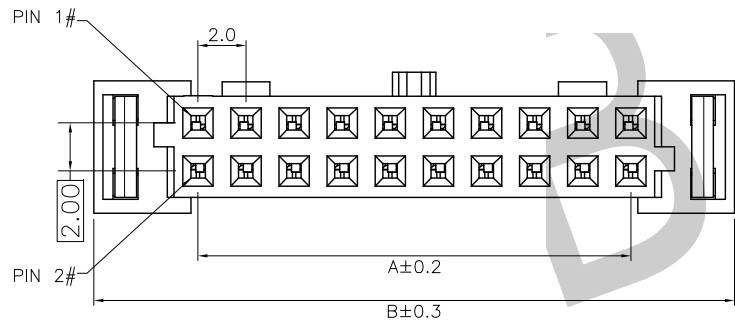
A0	FIRST RELEASE	Y.L	2019.06.21
REV.	ECN. NO.	APR.	DATE



MATERIAL :  
 INSULATOR : PBT +GLASS FIBER UL94V-0  
 CONTACT : COPPER ALLOY  
 SPECIFICATION:  
 CURRENT RATING : 1Amp  
 Withstanding voltage: AC 500v for 1 Minute.  
 Insulation resistance :1000M Ω MAX. AT DC 500V.  
 CONTACT resistance : 20m Ω Min.  
 OPERating temperature: -40°C + 105°C



PIN NO.	DIMENSION		
	A	B	C
10	8.00	16.65	11.65
12	10.00	18.65	13.65
14	12.00	20.65	15.65
16	14.00	22.65	17.65
18	16.00	24.65	19.65
20	18.00	26.65	21.65
22	20.00	28.65	23.65
24	22.00	30.65	25.65
26	24.00	32.65	27.65
28	26.00	34.65	29.65
30	28.00	36.65	31.65
34	32.00	40.65	35.65
40	38.00	46.65	41.65
44	42.00	50.65	45.65
50	48.00	56.65	51.65



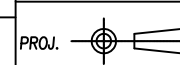
FC 200-02-2XX-A-BK-D-001  
 IDC排线头  
 200:间距2.0MM  
 02:两件式  
 PIN数:  
 205:2\*5P  
 .....  
 225:2\*25P  
 流水码  
 包装方式  
 D:盘装  
 胶壳颜色:  
 BK:黑色  
 塑胶材质:PBT

TOLERANCE UNLESS OTHERWISE SPECIFIED				APR. AX.T		Dongguan BzooC Electronics, Ltd		
.X± 0.35	X.*± 1.5*	CHK. Y.L	TITLE: IDC2.0 两件式 带耳					
.XX± 0.25	.X*± 1.0*	DRA. Y.L	PART NO.					
.XXX± 0.15	.XX*± 0.5*	PROJ.	UNITS. MM	SCALE: 1:1	SHEET. 1 / 1			
REV.	ECN. NO.	APR.	CUSTOMER DRAWING					

A0	FIRST RELEASE	Y.L	2019.06.21
REV.	ECN. NO.	APR.	DATE



东莞市柏洲电子有限公司  
 Dongguan BzooC Electronics, Ltd



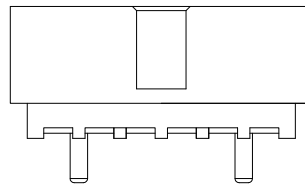
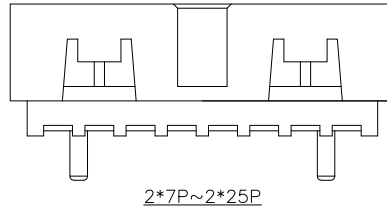
UNITS. MM SCALE: 1:1  
 CUSTOMER DRAWING

SHEET. 1 / 1



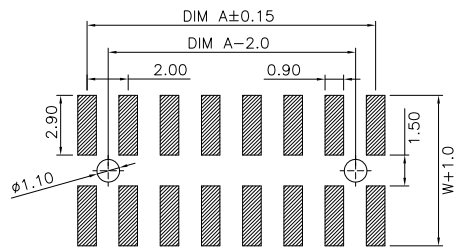
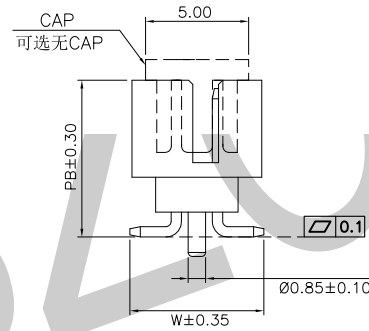
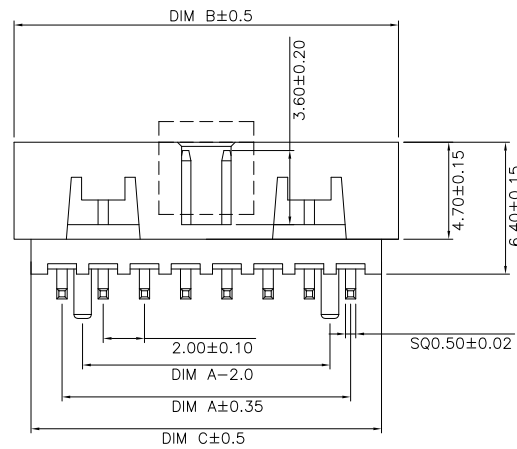
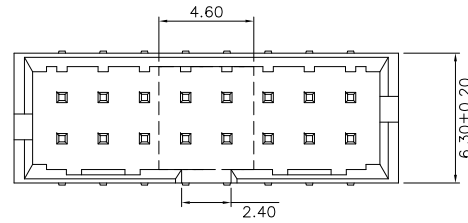
技术参数/Technical parameters

额定电流/Current Rating : 2AMP  
 绝缘阻抗/Insulator Resistance : 1000MΩ Min.  
 接触阻抗/Contact Resistance : 20mΩ Max.  
 耐电压值/Voltage Resistance : AC 500V  
 工作温度/Operating Temperature : -40°C ~ +105°C  
 金属材料/Metallic Material : Copper alloy  
 金属处理/Metal Treatment : Ni(30~50u") + See description  
 绝缘材料/Insulator Material : PA6T/PA9T/LCP UL94V-0  
 耐焊接热/Resistance To Soldering Heat : 260° C ± 5° C 10S MAX



PIN	DIM	A	B	C	PIN	DIM	A	B	C
2*2	2.00	6.65	5.00	2*14	26.00	30.65	29.00		
2*3	4.00	8.65	7.00	2*15	28.00	32.65	31.00		
2*4	6.00	10.65	9.00	2*16	30.00	34.65	33.00		
2*5	8.00	12.65	11.00	2*17	32.00	36.65	35.00		
2*6	10.00	14.65	13.00	2*18	34.00	38.65	37.00		
2*7	12.00	16.65	15.00	2*19	36.00	40.65	39.00		
2*8	14.00	18.65	17.00	2*20	38.00	42.65	41.00		
2*9	16.00	20.65	19.00	2*21	40.00	44.65	43.00		
2*10	18.00	22.65	21.00	2*22	42.00	46.65	45.00		
2*11	20.00	24.65	23.00	2*23	44.00	48.65	47.00		
2*12	22.00	26.65	25.00	2*24	46.00	50.65	49.00		
2*13	24.00	28.65	27.00	2*25	48.00	52.65	51.00		

W	PB
6.5	7.6
可定制	



Recommended PCB layout

B 200-064-2XX-WVS-GF-X-D-W65-000  
 筒牛(BOX HEADER) 流水码  
 200:PITCH2.0MM W:6.5MM  
 H:6.4MM 包装方式  
 PIN数: T:管装  
 203:2X3P D:吸塑盒装  
 .... E:PA9T  
 234:2X34P F:LCP  
 WVS:180° SMT  
 PVS:180° SMT+定位柱  
 电镀:  
 GF:镀金  
 G1:镀金 1U"  
 G5:镀金 5U"  
 G10:镀金10"

TOLERANCE UNLESS OTHERWISE SPECIFIED				东莞市柏洲电子有限公司 Dongguan BzooC Electronics, Ltd	
.X± 0.35	X.'± 1.5'	APR. AX.T	TITLE: 2.0*6.4 MOLEX BOX HEADER SMT TYPE		
.XX± 0.25	.X'± 1.0'	CHK. Y.L	PART NO.		
.XXX± 0.15	.XX'± 0.5'	DRA. Y.L	PROJ.	UNITS. MM	SCALE: 1:1
A0	FIRST RELEASE	Y.L	2019.06.21	CUSTOMER DRAWING	
REV.	ECN. NO.	APR.	DATE	SHEET. 1 / 1	

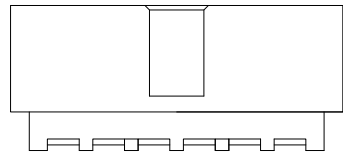
A0	FIRST RELEASE	Y.L	2019.06.21
REV.	ECN. NO.	APR.	DATE



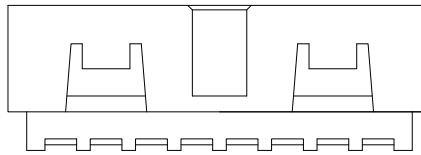
技术参数/Technical parameters

额定电流/Current Rating : 2AMP  
 绝缘阻抗/Insulator Resistance : 1000MΩ Min.  
 接触阻抗/Contact Resistance : 20mΩ Max.  
 耐电压值/Voltage Resistance : AC 500V  
 工作温度/Operating Temperature : -40°C ~ +105°C  
 金属材料/Metallic Material : Copper alloy  
 金属处理/Metal Treatment : Ni (30~50u") + See description  
 绝缘材料/Insulator Material : PA6T/PA9T/LCP UL94V-0  
 耐焊接热/Resistance To Soldering Heat : 260° C ± 5° C 10S MAX

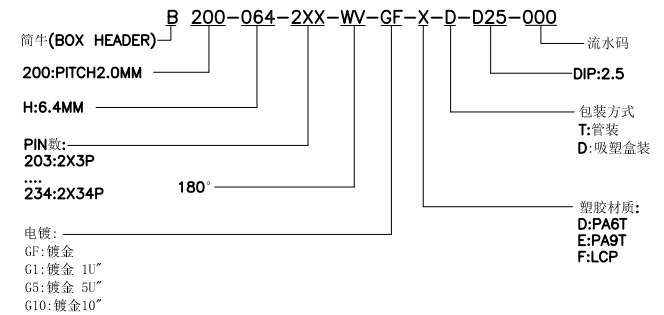
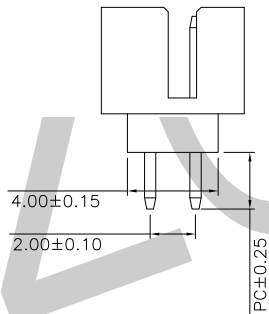
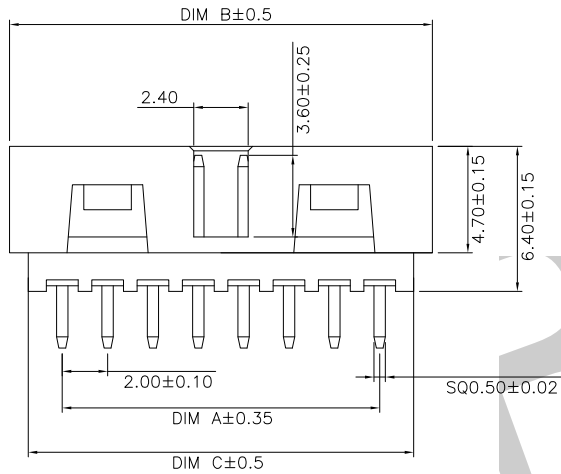
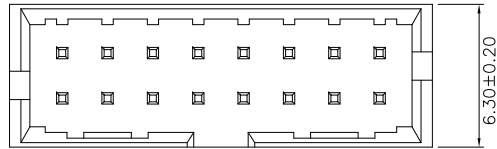
PIN	DIM			PIN	DIM		
	A	B	C		A	B	C
2*2	2.00	6.65	5.00	2*14	26.00	30.65	29.00
2*3	4.00	8.65	7.00	2*15	28.00	32.65	31.00
2*4	6.00	10.65	9.00	2*16	30.00	34.65	33.00
2*5	8.00	12.65	11.00	2*17	32.00	36.65	35.00
2*6	10.00	14.65	13.00	2*18	34.00	38.65	37.00
2*7	12.00	16.65	15.00	2*19	36.00	40.65	39.00
2*8	14.00	18.65	17.00	2*20	38.00	42.65	41.00
2*9	16.00	20.65	19.00	2*21	40.00	44.65	43.00
2*10	18.00	22.65	21.00	2*22	42.00	46.65	45.00
2*11	20.00	24.65	23.00	2*23	44.00	48.65	47.00
2*12	22.00	26.65	25.00	2*24	46.00	50.65	49.00
2*13	24.00	28.65	27.00	2*25	48.00	52.65	51.00



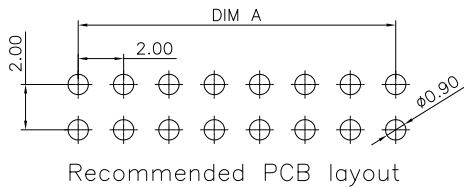
2\*2P~2\*6P



2\*7P~2\*25P



PC
2.5
可定制



TOLERANCE UNLESS OTHERWISE SPECIFIED		<b>BZOO</b> 东莞市柏洲电子有限公司 Dongguan Bzoo Electronics, Ltd	
.X± 0.35	X.'± 1.5'	APR. AX.T	TITLE: 2.0*6.4 MOLEX BOX HEADER 180° TYPE
.XX± 0.25	.X'± 1.0'	CHK. Y.L	PART NO.
.XXX± 0.15	.XX'± 0.5'	DRA. Y.L	PROJ.  UNITS. MM SCALE: 1:1 SHEET. 1/1
REV.	ECN. NO.	APR.	DATE
A0	FIRST RELEASE	Y.L	2019.06.21
CUSTOMER DRAWING			

REV.	ECN. NO.	APR.	DATE
A0	FIRST RELEASE	Y.L	2019.06.21