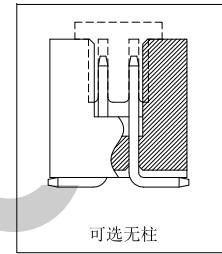
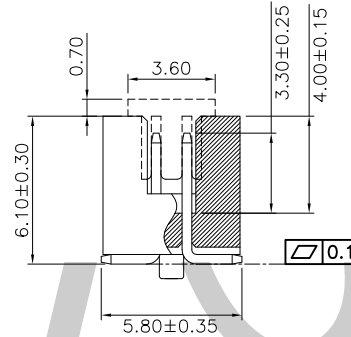
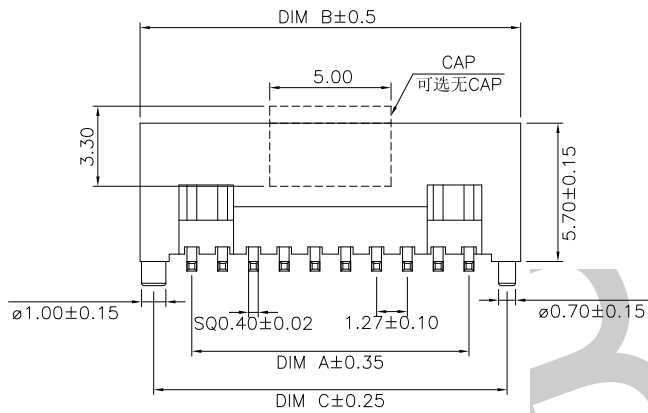
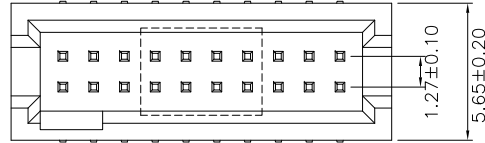




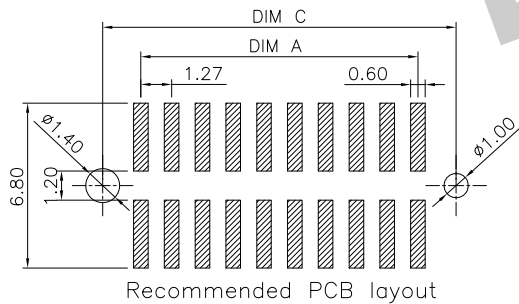
技术参数/Technical parameters

额定电流/Current Rating :1AMP  
 绝缘阻抗/Insulator Resistance :1000MΩ Min.  
 接触阻抗/Contact Resistance :20mΩ Max.  
 耐电压值/Voltage Resistance :AC 500V  
 工作温度/Operating Temperature :-40℃ ~ +105℃  
 金属材料/Metallic Material :Copper alloy  
 金属处理/Metal Treatment :Ni (30~50u")+Au  
 绝缘材料/Insulator Material :PA6T/PA9T/LCP UL94V-0  
 耐焊接热/Resistance To Soldering Heat :260° C ±5° C 10S MAX



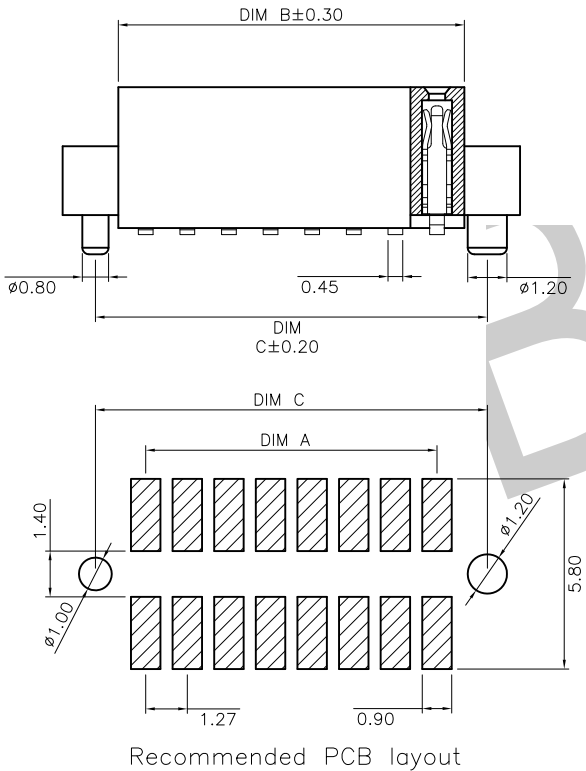
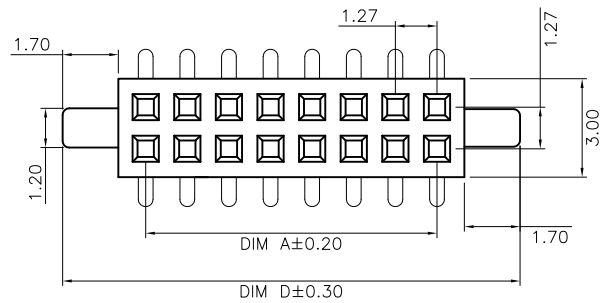
PIN NO.	DIM A	DIM B	DIM C
2*5P	5.08	9.35	8.23
2*6p	6.35	10.62	9.50
2*7p	7.62	11.89	10.77
2*8p	8.89	13.16	12.04
2*9p	10.16	14.43	13.31
2*10p	11.43	15.70	14.58
2*11p	12.70	16.97	15.85
2*12p	13.97	18.24	17.12
2*13p	15.24	19.51	18.39
2*14p	16.51	20.78	19.66
2*15p	17.78	22.05	20.93
2*16p	19.05	23.32	22.20
2*17p	20.32	24.59	23.47
2*18p	21.59	25.86	24.74
2*19p	22.86	27.13	26.01
2*20p	24.13	28.40	27.28
2*21p	25.40	29.67	28.55
2*22p	26.67	30.94	29.82
2*23p	27.94	32.21	31.09
2*24p	29.21	33.48	32.36
2*25p	30.48	34.75	33.63
2*26p	31.75	36.02	34.90
2*27p	33.02	37.29	36.17
2*28p	34.29	38.56	37.44
2*29p	35.56	39.83	38.71
2*30p	36.83	41.10	39.98
2*31p	38.10	42.37	41.25
2*32p	39.37	43.64	42.52
2*33p	40.64	44.91	43.79
2*34p	41.91	46.18	45.06
2*35p	43.18	47.45	46.33
2*36p	44.45	48.72	47.60
2*37p	45.72	49.99	48.87
2*38p	46.99	51.26	50.14
2*39p	48.26	52.53	51.41
2*40p	49.53	53.80	52.68
2*41p	50.80	55.07	53.95
2*42p	52.07	56.34	55.22
2*43p	53.34	57.61	56.49
2*44p	54.61	58.88	57.76
2*45p	55.88	60.15	59.03
2*46p	57.15	61.42	60.30
2*47p	58.42	62.69	61.57
2*48p	59.69	63.96	62.84
2*49p	60.96	65.23	64.11
2*50p	62.23	66.50	65.38

简半(BOX HEADER) J 127-057-2XX-XXX-GF-D-X-W58-000  
 流水码  
 127-PITCH1.27MM  
 H:5.7MM  
 PIN NO.: 205:2X5P  
 ... 250:2X50P  
 WVS:180° -SMT  
 PVS:180° -SMT+定位柱  
 包装:  
 T:管装  
 D:吸塑盒装  
 TC:管装+CAP  
 RC:卷装+CAP  
 塑胶材料:  
 D:PA6T  
 E:PA9T  
 F:LCP  
 电镀  
 GF:镀金  
 G1:镀金1U"  
 G10:镀金10U"



TOLERANCE UNLESS OTHERWISE SPECIFIED		<b>BZOO</b> 东莞市柏洲电子有限公司 Dongguan Bzoo Electronics, Ltd	
.X± 0.35	X.'± 1.5'	APR. AX.T	TITLE: 1.27*5.7 BOX HEADER 180° SMT TYPE
.XX± 0.25	.X'± 1.0'	CHK. Y.L	PART NO.
.XXX± 0.15	.XX'± 0.5'	DRA. Y.L	PROJ.
A0	FIRST RELEASE	Y.L	2019.06.21
REV.	ECN. NO.	APR.	DATE
		UNITS. MM	SCALE: 1:1
		CUSTOMER DRAWING	
		SHEET. 1 / 1	

A0	FIRST RELEASE	Y.L	2019.06.21
REV.	ECN. NO.	APR.	DATE



PIN数	DIM A	DIM B	DIM C	DIM D	PIN数	DIM A	DIM B	DIM C	DIM D
2*3P	2.54	4.21	5.69	7.61	2*27P	33.02	34.69	36.17	38.09
2*4P	3.81	5.48	6.96	8.88	2*28P	34.29	35.96	37.44	39.36
2*5P	5.08	6.75	8.23	10.15	2*29P	35.56	37.23	38.71	40.63
2*6P	6.35	8.02	9.50	11.42	2*30P	36.83	38.50	39.98	41.90
2*7P	7.62	9.29	10.77	12.69	2*31P	38.10	39.77	41.25	43.17
2*8P	8.89	10.56	12.04	13.96	2*32P	39.37	41.04	42.52	44.44
2*9P	10.16	11.83	13.31	15.23	2*33P	40.64	42.31	43.79	45.71
2*10P	11.43	13.10	14.58	16.50	2*34P	41.91	43.58	45.06	46.98
2*11P	12.70	14.37	15.85	17.77	2*35P	43.18	44.85	46.33	48.25
2*12P	13.97	15.64	17.12	19.04	2*36P	44.45	46.12	47.60	49.52
2*13P	15.24	16.91	18.39	20.31	2*37P	45.72	47.39	48.87	50.79
2*14P	16.51	18.18	19.66	21.58	2*38P	46.99	48.66	50.14	52.06
2*15P	17.78	19.45	20.93	22.85	2*39P	48.26	49.93	51.41	53.33
2*16P	19.05	20.72	22.20	24.12	2*40P	49.53	51.20	52.68	54.60
2*17P	20.32	21.99	23.47	25.39	2*41P	50.80	52.47	53.95	55.87
2*18P	21.59	23.26	24.74	26.66	2*42P	52.07	53.74	55.22	57.14
2*19P	22.86	24.53	26.01	27.93	2*43P	53.34	55.01	56.49	58.41
2*20P	24.13	25.80	27.28	29.20	2*44P	54.61	56.28	57.76	59.68
2*21P	25.40	27.07	28.55	30.47	2*45P	55.88	57.55	59.03	60.95
2*22P	26.67	28.34	29.82	31.74	2*46P	57.15	58.82	60.30	62.22
2*23P	27.94	29.61	31.09	33.01	2*47P	58.42	60.09	61.57	63.49
2*24P	29.21	30.88	32.36	34.28	2*48P	59.69	61.36	62.84	64.76
2*25P	30.48	32.15	33.63	35.55	2*49P	60.96	62.63	64.11	66.03
2*26P	31.75	33.42	34.90	36.82	2*50P	62.23	63.90	65.38	67.30

技术参数/Technical parameters

额定电流/Current Rating	:1AMP
绝缘阻抗/Insulator Resistance	:1000MΩ Min.
接触阻抗/Contact Resistance	:20mΩ Max.
耐电压值/Voltage Resistance	:AC 500V
工作温度/Operating Temperature	:-40℃ ~ +105℃
金属材料/Metallic Material	:Copper alloy
金属处理/Metal Treatment	:Ni (30~50u") +Au
绝缘材料/Insulator Material	:PA6T/PA9T/LCP UL94V-0
耐焊接热/Resistance To Soldering Heat	:260° C ±5° C 10S MAX

F 127-020-XXX-WVSP-GF-D-T-U48-000

排母  
127:间距1.27mm  
塑胶高度:  
043:4.3mm

PIN数:  
205:2\*5p  
210:2\*10p  
250:2\*50p

WVSP:SMT带外柱

电镀:  
GF:镀金  
G1:镀金 1U"  
G5:镀金 5U"  
G10:镀金 10U"

serial No.  
U48:U型 SMT:4.8

包装方式  
T:管装  
R:卷装  
TC:管装+CAP  
RC:卷装+CAP

塑胶材质:  
D:PA6T  
E:PA9T  
F:LCP

TOLERANCE UNLESS OTHERWISE SPECIFIED		<b>BZOC</b> 东莞市柏洲电子有限公司 Dongguan Bzoc Electronics, Ltd	
.X± 0.35	.X'± 1.5'	APR. AX.T	TITLE: FH1.27 H4.3mm Female header SMT Type
.XX± 0.25	.X'± 1.0'	CHK. Y.L	PART NO.
.XXX± 0.15	.XX'± 0.5'	DRA. Y.L	PROJ.  UNITS. MM SCALE. 1:1 SHEET. 1/1
REV.	ECN. NO.	APR.	DATE
AO	FIRST RELEASE	Y.L	2019.06.21
CUSTOMER DRAWING			

REV.	ECN. NO.	APR.	DATE
AO	FIRST RELEASE	Y.L	2019.06.21