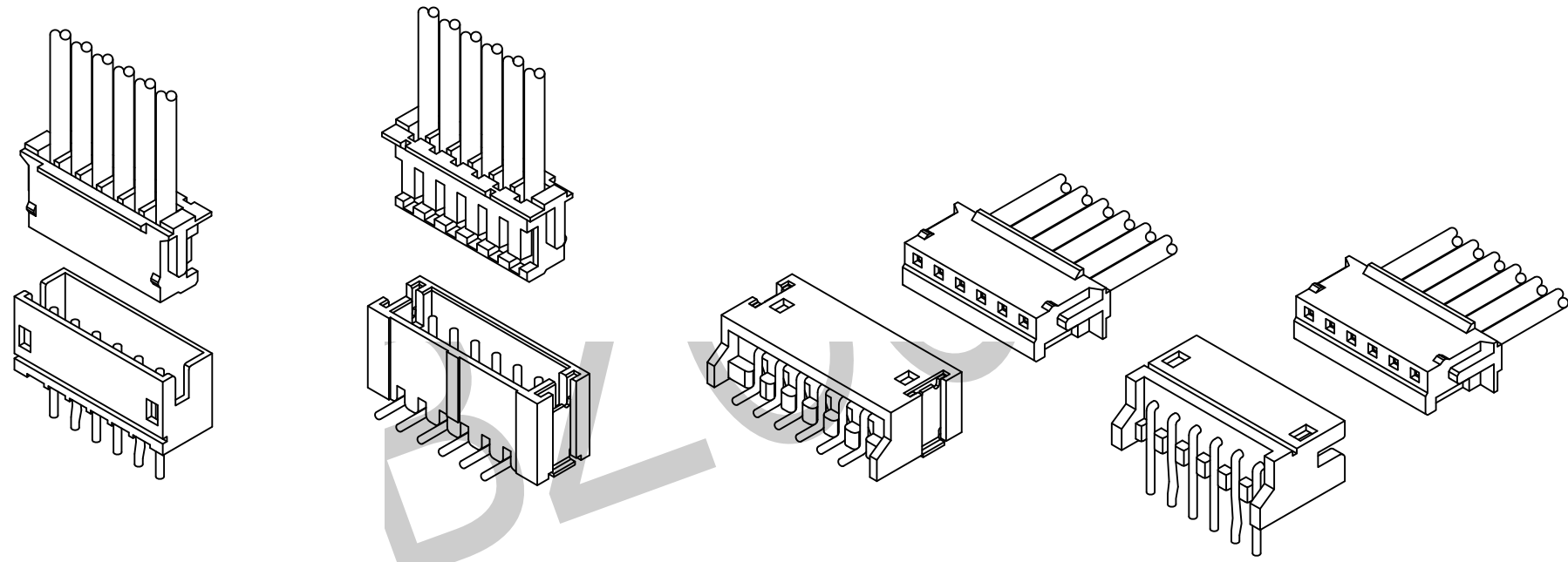




Current rating:1A AC,DC
 Voltage rating:100V AC,DC
 Temperature range:-40°C~+105°C
 Contact resistance:20mΩMax.
 Insulation resistance:500MΩMin.
 Withstanding voltage:500V AC/minute
 Compliant with RoHS and REACH

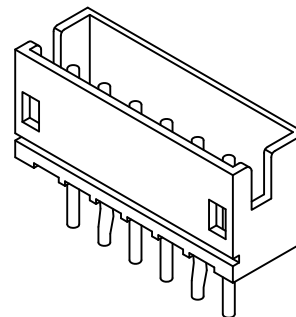
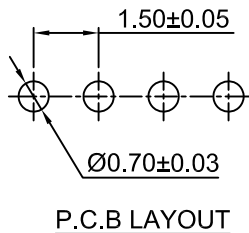
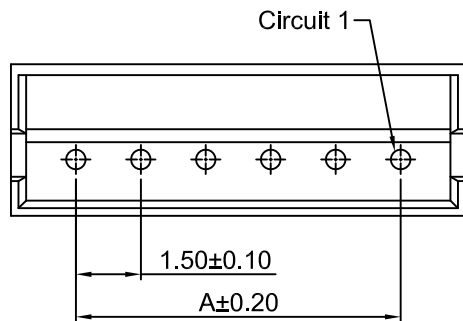


TOLERANCE UNLESS OTHERWISE SPECIFIED				BZOO 东莞市柏洲电子有限公司 Dongguan Bzoo Electronics, Ltd		APR. AX.T TITLE: W150-01 TYPE WAFER	
.X± 0.35	X.*± 1.5'	CHK. Y.L	PART NO.				
.XX± 0.25	.X'± 1.0'	DRA. Y.L	PROJ.		UNITS. MM	SCALE: 1:1	SHEET. 1 / 1
.XXX± 0.15	.XX'± 0.5'	REV. ECN. NO. APR. DATE		A0 FIRST RELEASE Y.L 2019.06.21		CUSTOMER DRAWING	

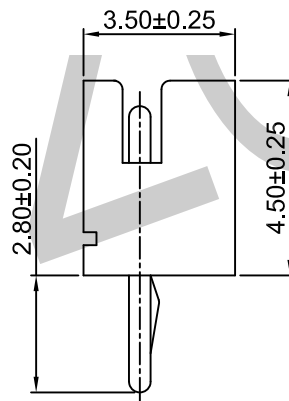
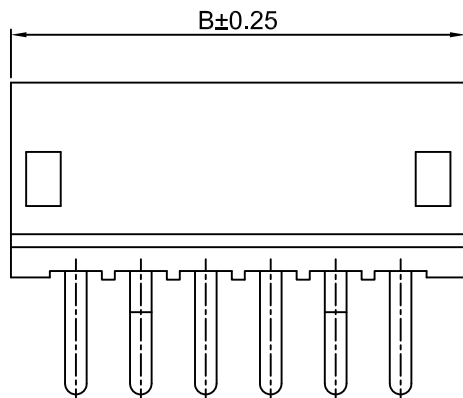


Current rating:1A AC,DC
 Voltage rating:100V AC,DC
 Temperature range:-40°C~+105°C
 Contact resistance:20mΩMax.
 Insulation resistance:500MΩMin.
 Withstanding voltage:500V AC/minute
 Material:Pin:Brass/Tin over Nickel

Insulator:Nylon 66,UL94V-0



PIN NO.	Dimensions	
	A	B
02P	1.50	4.50
03P	3.00	6.00
04P	4.50	7.50
05P	6.00	9.00
06P	7.50	10.50
07P	9.00	12.00
08P	10.50	13.50
09P	12.00	15.00
10P	13.50	16.50
11P	15.00	18.00
12P	16.50	19.50
13P	18.00	21.00
15P	21.00	24.00



WAFER W 150-010-1XX-WV-SN-C-P-PC-000
 150:间距1.5MM
 01WAFER TYPE1
 0:UL94V-0
 PIN:
 102:1*2P
 103:1*3P

 115:1*15P

流水码
 PC:本色
 P: 袋装
 C:PA66
 SN:镀锡

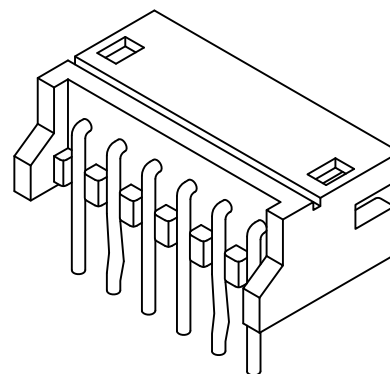
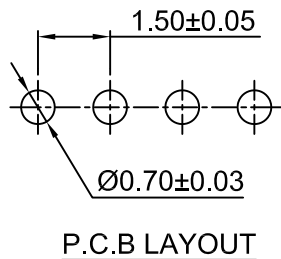
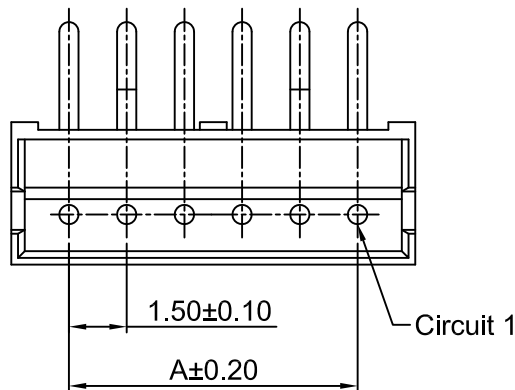
180°

A0	FIRST RELEASE	Y.L	2019.06.21
REV.	ECN. NO.	APR.	DATE

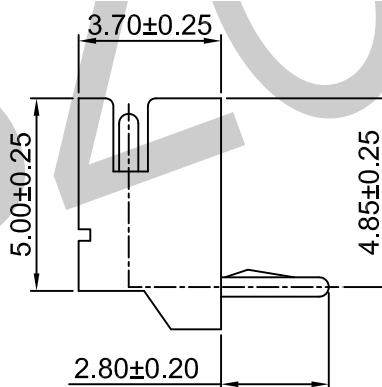
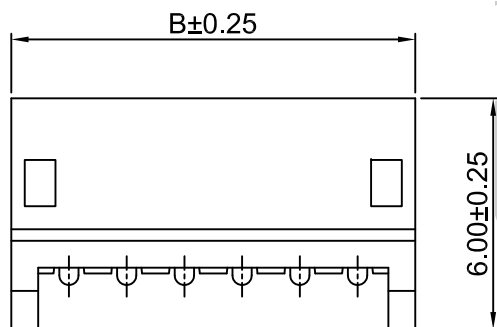
TOLERANCE UNLESS OTHERWISE SPECIFIED		BZOO 东莞市柏洲电子有限公司 Dongguan Bzoo Electronics, Ltd	
.X± 0.35	X.*± 1.5*	APR. AX.T	TITLE: 1.50MM PITCH 180° WAFER TYPE1
.XX± 0.25	.X*± 1.0*	CHK. Y.L	PART NO.
.XXX± 0.15	.XX*± 0.5*	DRA. Y.L	PROJ.
		UNITS. MM	SCALE: 1:1
		CUSTOMER DRAWING	
		SHEET. 1 / 1	



Current rating:1A AC,DC
 Voltage rating:100V AC,DC
 Temperature range:-40°C~+105°C
 Contact resistance:20mΩMax.
 Insulation resistance:500MΩMin.
 Withstanding voltage:500V AC/minute
 Material:Pin:Brass/Tin over Nickel
 Insulator:Nylon 66,UL94V-0



PIN NO.	Dimensions	
	A	B
02P	1.50	4.50
03P	3.00	6.00
04P	4.50	7.50
05P	6.00	9.00
06P	7.50	10.50
07P	9.00	12.00
08P	10.50	13.50
09P	12.00	15.00
10P	13.50	16.50
11P	15.00	18.00
12P	16.50	19.50
13P	18.00	21.00
15P	21.00	24.00



WAFER W 150-010-1XX-WR-SN-C-P-PC-000
 150:间距1.5MM
 01WAFER TYPE1
 0:UL94V-0
 PIN:
 102:1*2P
 103:1*3P

 115:1*15P

90°

流水码
 PC:本色
 P: 袋装
 C:PA66
 SN:镀锡

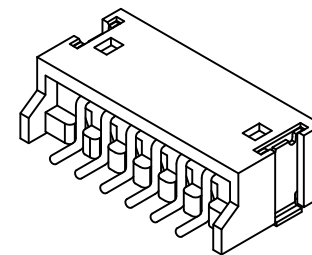
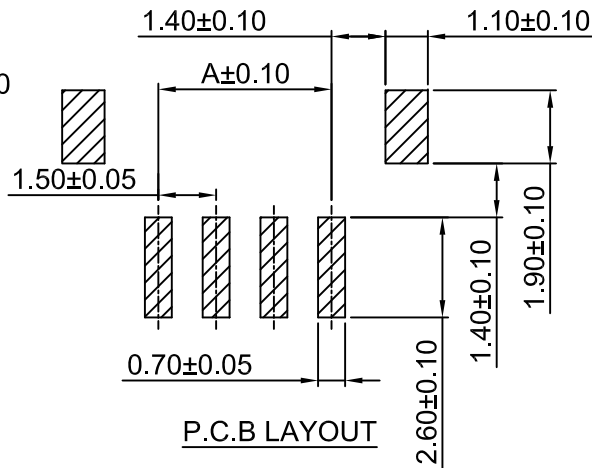
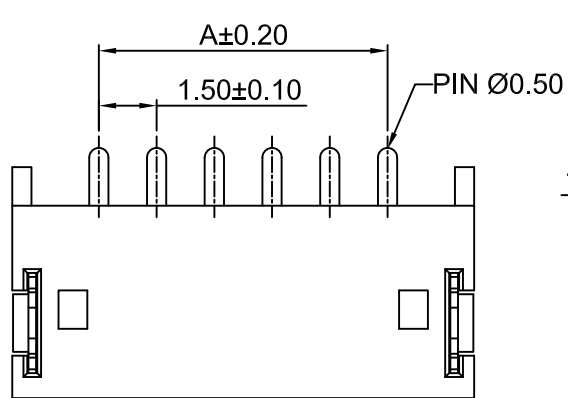
TOLERANCE UNLESS OTHERWISE SPECIFIED				APR. AX.T		TITLE: 1.50MM PITCH 90° WAFER TYPE1	
.X± 0.35	X.*± 1.5*	CHK. Y.L	PART NO.				
.XX± 0.25	.X*± 1.0*	DRA. Y.L	UNITS. MM SCALE: 1:1				
.XXX± 0.15	.XX*± 0.5*	PROJ.		CUSTOMER DRAWING		SHEET. 1 / 1	

REV.	ECN. NO.	APR.	DATE
A0	FIRST RELEASE	Y.L	2019.06.21

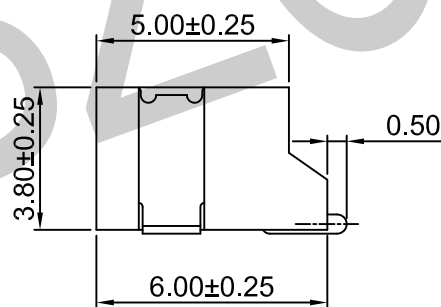
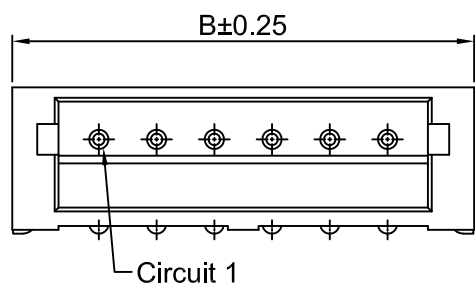
BZOO 东莞市柏洲电子有限公司
 Dongguan Bzoo Electronics, Ltd



Current rating:1A AC,DC
 Voltage rating:100V AC,DC
 Temperature range:-40°C~+105°C
 Contact resistance:20mΩMax.
 Insulation resistance:500MΩMin.
 Withstanding voltage:500V AC/minute
 Material:Pin:Brass/Tin over Nickel
 Insulator:LCP,UL94V-0



PIN NO.	Dimensions	
	A	B
2P	1.50	6.00
3P	3.00	7.50
4P	4.50	9.00
5P	6.00	10.50
6P	7.50	12.00
7P	9.00	13.50
8P	10.50	15.00
09P	12.00	16.50
10P	13.50	18.00
11P	15.00	19.50
12P	16.50	21.00
13P	18.00	22.50



WAFER W 150-010-1XX-WRS-SN-F-R-PC-000
 150:间距1.5MM
 01WAFER TYPE1
 0:UL94V-0
 PIN:
 102:1*2P
 103:1*3P

 113:1*13P

流水码
 PC:本色
 T:管装
 R:卷装
 F:LCP
 SN:镀锡

90°-SMT

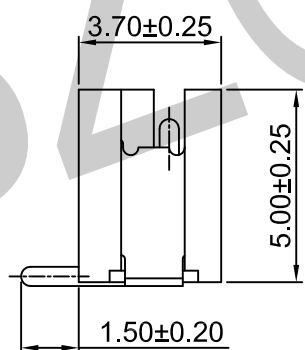
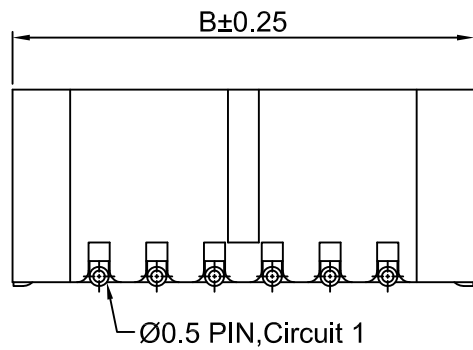
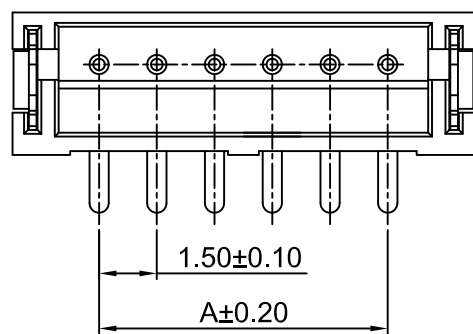
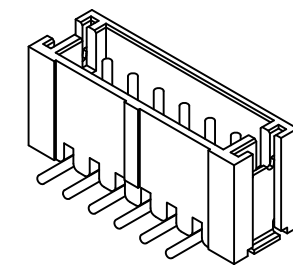
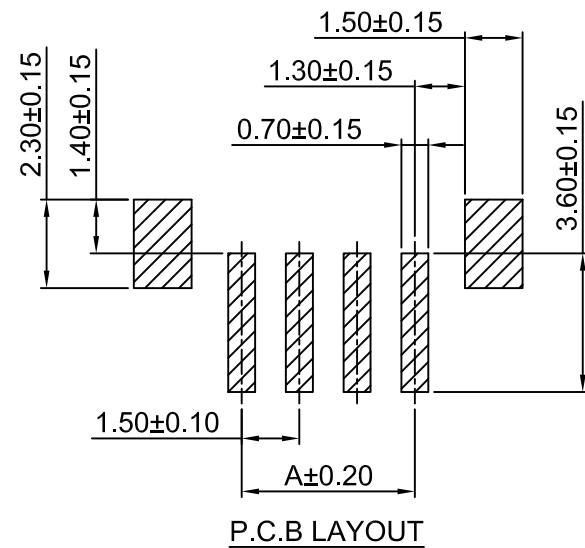
TOLERANCE UNLESS OTHERWISE SPECIFIED		BZOC 东莞市柏洲电子有限公司 Dongguan Bzoc Electronics, Ltd	
.X± 0.35	X.*± 1.5'	APR. AX.T	TITLE: 1.50MM PITCH 90° WAFER-SMT TYPE1
.XX± 0.25	.X*± 1.0'	CHK. Y.L	PART NO.
.XXX± 0.15	.XX*± 0.5'	DRA. Y.L	PROJ.
A0	FIRST RELEASE	Y.L	2019.06.21
REV.	ECN. NO.	APR.	DATE
UNITS: MM		SCALE: 1:1	SHEET. 1 / 1
CUSTOMER DRAWING			

A0	FIRST RELEASE	Y.L	2019.06.21
REV.	ECN. NO.	APR.	DATE



Current rating:1A AC,DC
 Voltage rating:100V AC,DC
 Temperature range:-40°C~+105°C
 Contact resistance:20mΩMax.
 Insulation resistance:500MΩMin.
 Withstanding voltage:500V AC/minute
 Material:Pin:Brass/Tin over Nickel
 Insulator:LCP,UL94V-0

PIN NO.	Dimensions	
	A	B
2P	1.50	6.00
3P	3.00	7.50
4P	4.50	9.00
5P	6.00	10.50
6P	7.50	12.00
7P	9.00	13.50
8P	10.50	15.00
09P	12.00	16.50
10P	13.50	18.00
11P	15.00	19.50
12P	16.50	21.00
13P	18.00	22.50



WAFER W 150-010-1XX-WVS-SN-F-RC-PC-000
 150:间距1.5MM
 01WAFER TYPE1
 0:UL94V-0
 PIN:
 102:1*2P
 103:1*3P

 113:1*13P

180°-SMT

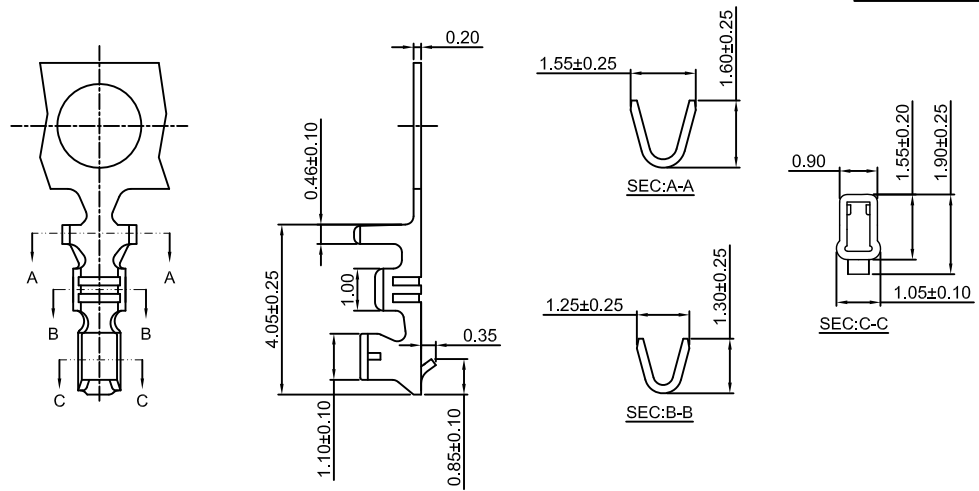
流水码
 PC:本色
 T:管装
 RC:卷装+CAP
 F:LCP
 SN:镀锡

TOLERANCE UNLESS OTHERWISE SPECIFIED				BZOO 东莞市柏洲电子有限公司 Dongguan Bzoo Electronics, Ltd	
.X± 0.35	X.*± 1.5*	APR. AX.T	TITLE: 1.50MM PITCH 180° WAFER-SMT TYPE1		
.XX± 0.25	.X*± 1.0*	CHK. Y.L	PART NO.		
.XXX± 0.15	.XX*± 0.5*	DRA. Y.L	PROJ.	UNITS. MM	SCALE: 1:1
A0	FIRST RELEASE	Y.L	2019.06.21	CUSTOMER DRAWING	
REV.	ECN. NO.	APR.	DATE	SHEET. 1 / 1	



Current rating:1A AC,DC
 Voltage rating:100V AC,DC
 Temperature range:-40°C~+105°C
 Contact resistance:20mΩMax.
 Insulation resistance:500MΩMin.
 Withstanding voltage:500V AC/minute
 Material:Phosphor Bronze
 Insulation O.D.:1.10mm(max)

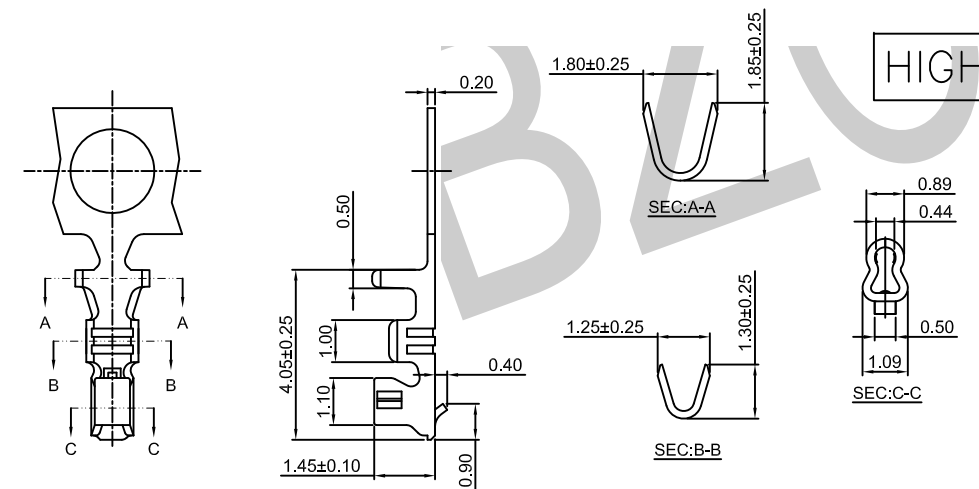
LOW. PIN



LOW. PIN
 Wire Range:AWG#26-#32
 Qty/reel:10,000 PCS

HIGH. PIN
 Wire Range:AWG#24-#30
 Qty/reel:15,000 PCS

HIGH. PIN



WAFER ——— W 150-01F-PXX-SN-000 SERIAL NO.
 150:PITCH 1.5MM
 01:WAFER TYPE1
 F:FEMALE TERMINAL
 P:PHOSPHOR BRONZE
 SN:TIN PLATING
 GF:GOLD PLATING
 DJ:LOW. PIN
 GJ:HIGH. PIN

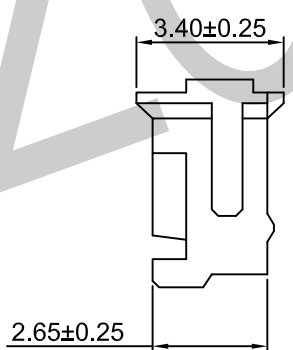
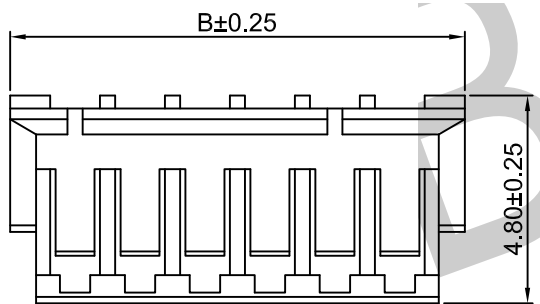
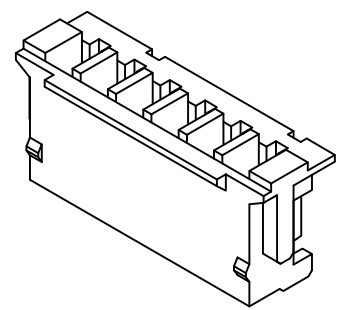
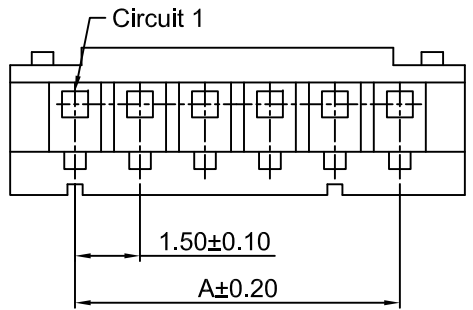
TOLERANCE UNLESS OTHERWISE SPECIFIED		BZOOC 东莞市柏洲电子有限公司 Dongguan BzooC Electronics, Ltd	
.X± 0.35	X.*± 1.5*	APR. AX.T	TITLE: 1.50MM PITCH CRIMP TERMINAL TYPE1
.XX± 0.25	.X*± 1.0*	CHK. Y.L	PART NO.
.XXX± 0.15	.XX*± 0.5*	DRA. Y.L	PROJ. UNITS. MM SCALE: 1:1 SHEET. 1/1
REV.	ECN. NO.	APR.	CUSTOMER DRAWING

A0	FIRST RELEASE	Y.L	2019.06.21
REV.	ECN. NO.	APR.	DATE



Current rating:1A AC,DC
 Voltage rating:100V AC,DC
 Temperature range:-40°C~+105°C
 Contact resistance:20mΩMax.
 Insulation resistance:500MΩMin.
 Withstanding voltage:500V AC/minute
 Material:Nylon 66,UL94V-0

PIN NO.	Dimensions	
	A	B
02P	1.50	4.50
03P	3.00	6.00
04P	4.50	7.50
05P	6.00	9.00
06P	7.50	10.50
07P	9.00	12.00
08P	10.50	13.50
09P	12.00	15.00
10P	13.50	16.50
11P	15.00	18.00
12P	16.50	19.50
13P	18.00	21.00
15P	21.00	24.00



WAFER W 150-010-1XX-HM-WE-C-P-000 SERIAL NO.
 150:间距1.5mm PACKING:BAG
 01:WAFER TYPE1 C:PA66
 0:UL94V-0 WE:WHITE
 PIN NO.: HM:MALE HOUSING
 102:1*2P
 103:1*3P
 ...
 115:1*15P

TOLERANCE UNLESS OTHERWISE SPECIFIED		BZOO 东莞市柏洲电子有限公司 Dongguan Bzoo Electronics, Ltd	
.X± 0.35	X.*± 1.5*	APR. AX.T	TITLE: 1.50MM PITCH HOUSING TYPE1
.XX± 0.25	.X*± 1.0*	CHK. Y.L	PART NO.
.XXX± 0.15	.XX*± 0.5*	DRA. Y.L	PROJ.
A0	FIRST RELEASE	Y.L	2019.06.21
REV.	ECN. NO.	APR.	DATE
		UNITS. MM	SCALE: 1:1
		CUSTOMER DRAWING	
		SHEET. 1 / 1	

A0	FIRST RELEASE	Y.L	2019.06.21
REV.	ECN. NO.	APR.	DATE