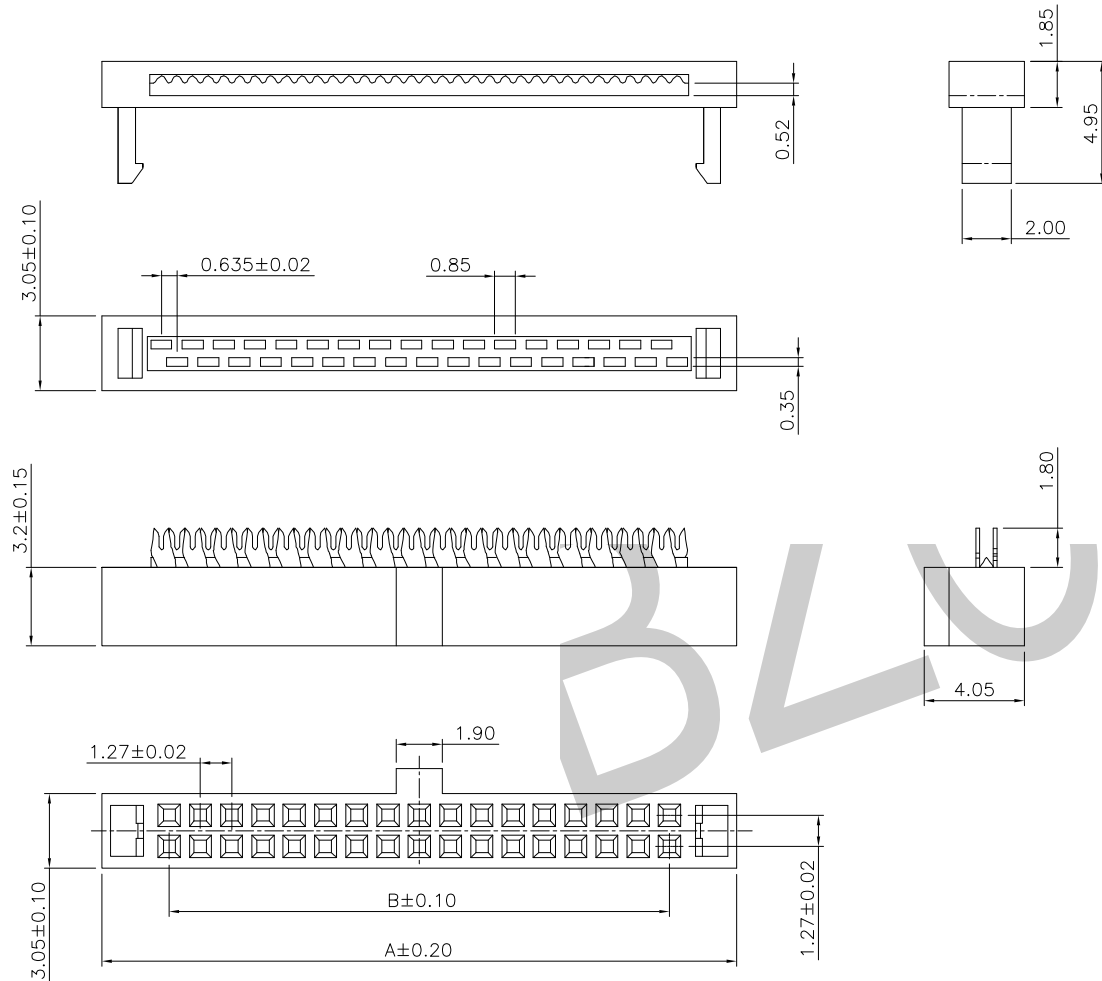




MATERIAL :  
 INSULATOR : PBT +GLASS FIBER UL94V-0  
 CONTACT : COPPER ALLOY  
 SPECIFICATION:  
 CURRENT RATING : 1Amp  
 Withstanding voltage: AC 500v for 1 Minute.  
 Insulation resistance :500M Ω MAX. AT DC 500V.  
 CONTACT resistance : 20m Ω Min.  
 OPERating temperature: -40°C + 105°C

PIN No.	Dim A	Dim B	Pin Q'ty	Dim A	Dim B
10P	10.54	5.08	40P	29.59	24.13
12P	11.81	6.35	44P	32.13	26.67
14P	13.08	7.62	50P	35.94	30.48
16P	14.35	8.89	60P	42.29	36.83
20P	16.89	11.43	68P	47.37	41.91
26P	20.70	15.24	80P	54.99	49.53
30P	23.24	17.78	100P	67.69	62.23
34P	25.78	20.32			



FC 127-02-2XX-A-XX-D-000  
 IDC排线头  
 127:间距1.27MM  
 02:两件式  
 PIN数:  
 205:2\*5P  
 .....  
 250:2\*50P

流水码  
 包装方式  
 D:盘装  
 胶壳颜色:  
 GY:灰色  
 BK:黑色  
 塑胶材质:PBT

TOLERANCE UNLESS OTHERWISE SPECIFIED				BZOOC 东莞市柏洲电子有限公司 Dongguan Bzooc Electronics, Ltd	
.X± 0.35	X.*± 1.5'	APR. AX.T	TITLE: 1.27 PITCH IDC TYPE		
.XX± 0.25	.X*± 1.0'	CHK. Y.L	PART NO.		
.XXX± 0.15	.XX*± 0.5'	DRA. Y.L	PROJ.	UNITS. MM	SCALE: 1:1
REV.	ECN. NO.	APR.	DATE	CUSTOMER DRAWING	SHEET. 1 / 1

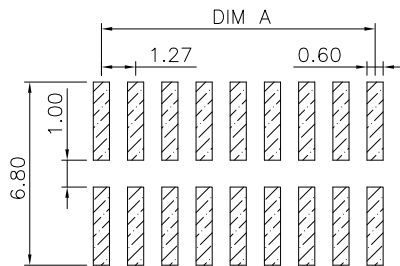
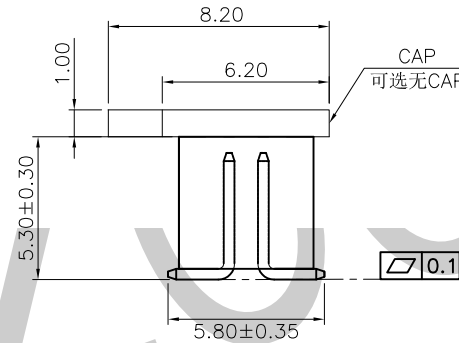
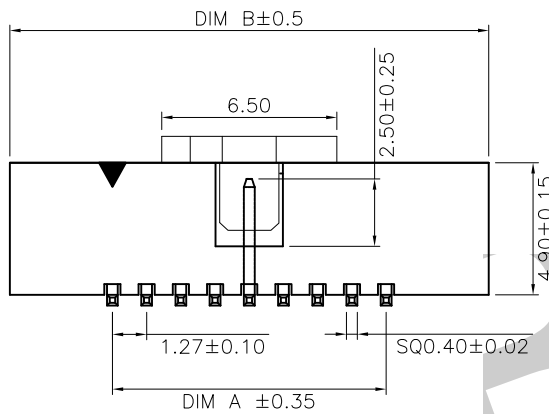
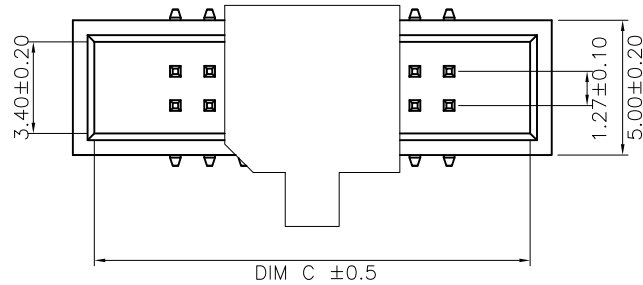
A0	FIRST RELEASE	Y.L	2019.06.21
REV.	ECN. NO.	APR.	DATE



技术参数/Technical parameters

额定电流/Current Rating :1AMP  
 绝缘阻抗/Insulator Resistance :1000MΩ Min.  
 接触阻抗/Contact Resistance :20mΩ Max.  
 耐电压值/Voltage Resistance :AC 500V  
 工作温度/Operating Temperature :-40℃ ~ +105℃  
 金属材料/Metallic Material :Copper alloy  
 金属处理/Metal Treatment :Ni (30~50u") +Au  
 绝缘材料/Insulator Material :PA6T/PA9T/LCP UL94V-0  
 耐焊接热/Resistance To Soldering Heat :260° C ±5° C 10S MAX

PIN No.	DIM A	DM B	DIM C
2X4	3.81	11.43	9.83
2X5	5.08	12.70	11.10
2X6	6.35	13.97	12.37
2X7	7.62	15.24	13.64
2X8	8.89	16.51	14.91
2X10	11.43	19.05	17.45
2X12	13.97	21.59	19.99
2X13	15.24	22.86	21.26
2X15	17.78	25.40	23.80
2X17	20.32	27.94	26.34
2X20	24.13	31.75	30.15
2X22	26.67	34.29	32.69
2X25	30.48	38.10	36.50
2X30	36.83	44.45	42.85
2X34	41.91	49.53	47.93



Recommended PCB layout

B 127-049-2XX-WVS-GF-X-X-W58-000  
 筒牛(BOX HEADER) 流水码  
 127:PITCH1.27MM SMT:5.8MM  
 H:4.9MM  
 PIN NO.: 204:2X4P 包装:  
 234:2X34P D:吸塑盒装  
 WVS:180° -SMT TC:管装+CAP  
 RC:卷装+CAP  
 塑胶材料:  
 D:PA6T  
 E:PA9T  
 F:LCP  
 电镀:  
 GF:镀金  
 G1:镀金1U"  
 G10:镀金10U"

TOLERANCE UNLESS OTHERWISE SPECIFIED  
**BZOO** 东莞市柏洲电子有限公司  
 Dongguan Bzoo Electronics, Ltd

.X± 0.35	X.*± 1.5*	APR. AX.T	TITLE: 1.27*4.9 BOX HEADER 180° SMT TYPE
.XX± 0.25	.X*± 1.0*	CHK. Y.L	PART NO.
.XXX± 0.15	.XX*± 0.5*	DRA. Y.L	PROJ.
UNITS: MM SCALE: 1:1		CUSTOMER DRAWING SHEET. 1 / 1	

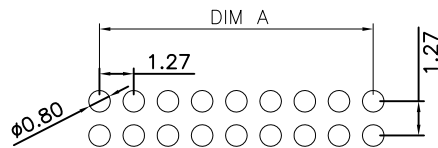
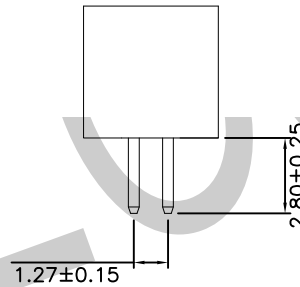
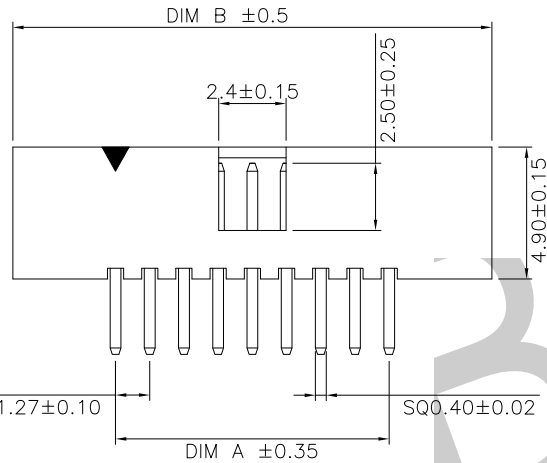
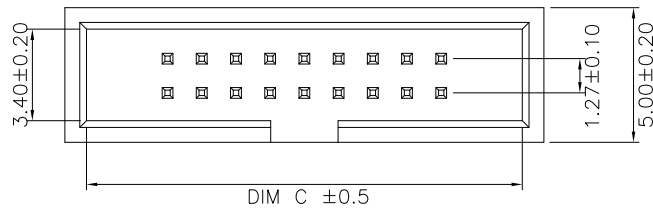
A0	FIRST RELEASE	Y.L	2019.06.21
REV.	ECN. NO.	APR.	DATE



技术参数/Technical parameters

额定电流/Current Rating : 1AMP  
 绝缘阻抗/Insulator Resistance : 1000MΩ Min.  
 接触阻抗/Contact Resistance : 20mΩ Max.  
 耐电压值/Voltage Resistance : AC 500V  
 工作温度/Operating Temperature : -40°C ~ +105°C  
 金属材料/Metallic Material : Copper alloy  
 金属处理/Metal Treatment : Ni (30~50u") + Au  
 绝缘材料/Insulator Material : PA6T/PA9T/LCP UL94V-0  
 耐焊接热/Resistance To Soldering Heat : 260° C ± 5° C 10S MAX

PIN No.	DIM A	DM B	DIM C
2X4	3.81	11.43	9.83
2X5	5.08	12.70	11.10
2X6	6.35	13.97	12.37
2X7	7.62	15.24	13.64
2X8	8.89	16.51	14.91
2X10	11.43	19.05	17.45
2X12	13.97	21.59	19.99
2X13	15.24	22.86	21.26
2X15	17.78	25.40	23.80
2X17	20.32	27.94	26.34
2X20	24.13	31.75	30.15
2X22	26.67	34.29	32.69
2X25	30.48	38.10	36.50
2X30	36.83	44.45	42.85
2X34	41.91	49.53	47.93



Recommended PCB layout

B 127-049-2XX-WV-GF-X-X-D28-000  
 筒牛 (BOX HEADER) 流水码  
 127:PITCH1.27MM DIP:2.8MM  
 H:4.9MM  
 PIN NO.: 204:2X4P 包装:  
 234:2X34P T:管装  
 D:吸塑盒装  
 WV:180° 塑胶材料:  
 D:PA6T  
 E:PA9T  
 F:LCP  
 电镀  
 GF:镀金  
 G1:镀金10u"  
 G10:镀金100u"

TOLERANCE UNLESS OTHERWISE SPECIFIED				东莞市柏洲电子有限公司 Dongguan Bzooc Electronics, Ltd			
.X± 0.35	X.'± 1.5'	APR. AX.T	TITLE: 1.27*4.9 BOX HEADER 180° TYPE				
.XX± 0.25	.X'± 1.0'	CHK. Y.L	PART NO.				
.XXX± 0.15	.XX'± 0.5'	DRA. Y.L	PROJ.	UNITS. MM	SCALE: 1:1	SHEET. 1 / 1	
REV.	ECN. NO.	APR.	DATE	CUSTOMER DRAWING			

A0	FIRST RELEASE	Y.L	2019.06.21
REV.	ECN. NO.	APR.	DATE