

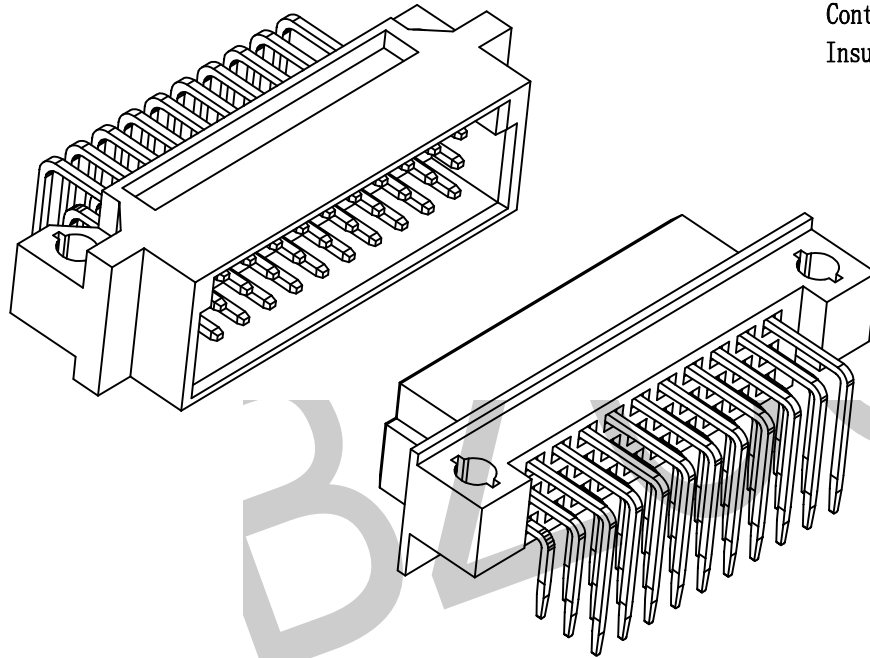


SPECIFICATIONS (技术参数)

Current Rating (额定电流): 2.0Amps  
 Contact Resistance (接触电阻): 30mΩ Max  
 Insulator Resistance (绝缘电阻): 1000 MΩ min.  
 Dielectric Withstanding (耐压值): 1000VAC/minute  
 Operating Temperature (工作温度): -40°C~+105°C

MATERIALS (材质):

Contact Material (接触件材质): Phosphor Bronze  
 Insulator Material (绝缘体材质): 30% Glass Filled PBT



REV.	ECN. NO.	APR.	DATE
A0	FIRST RELEASE	Y.L	2019.06.21

TOLERANCE UNLESS OTHERWISE SPECIFIED		东莞市柏洲电子有限公司 Dongguan Bzooc Electronics, Ltd	
.X± 0.35	X.*± 1.5°	APR. AX.T	TITLE: DIN 41612 2.54欧式插座系列
.XX± 0.25	.X*± 1.0°	CHK. Y.L	PART NO.
.XXX± 0.15	.XX*± 0.5°	DRA. Y.L	PROJ.  UNITS. MM SCALE. 1:1 CUSTOMER DRAWING SHEET. 1 / 1



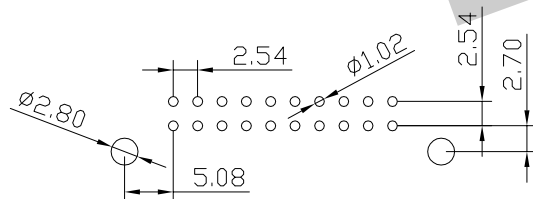
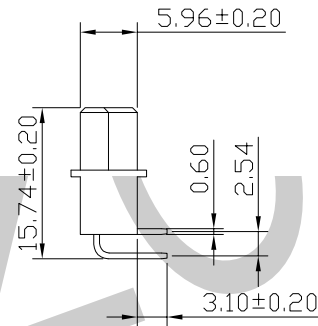
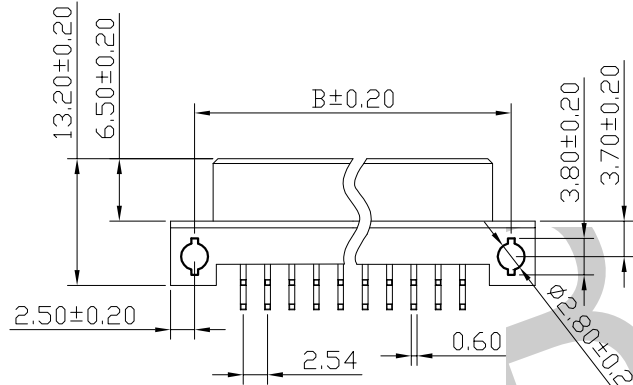
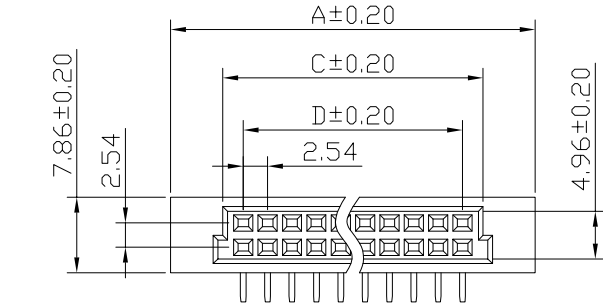
**SPECIFICATIONS(技术参数)**

Current Rating (额定电流): 2.0Amps  
 Contact Resistance(接触电阻): 30mΩ Max  
 Insulator Resistance (绝缘电阻): 1000 MΩ min.  
 Dielectric Withstanding (耐压值): 1000VAC/minute  
 Operating Temperature(工作温度): -40℃--+105℃

**MATERIALS(材质):**

Contact Material (接触件材质): Phosphor Bronze  
 Insulator Material (绝缘体材质): 30% Glass Filled PBT

No. of Contacts	A	B	C	D
2*5	25.32	20.32	14.46	10.16
2*6	27.86	22.86	17	12.7
2*8	32.94	27.94	22.08	17.78
2*10	38.02	33.02	27.16	22.86
2*16	53.26	48.26	42.4	38.1
2*22	68.5	63.5	57.64	53.34
2*24	73.58	68.58	62.72	58.42
2*32	93.9	88.9	83.04	78.74



**P.C.B LAYOUT**

**D41612-F-254-2XX-WR-SG-D-PC-000**

欧式插座系列  
 母座  
 2.54间距  
 PIN数:  
 205:2\*5P  
 216:2\*16P  
 232:2\*32P

流水码  
 本色  
 盒装  
 亮锡半金  
 90度

A0	FIRST RELEASE	Y.L	2019.06.21
REV.	ECN. NO.	APR.	DATE

TOLERANCE UNLESS OTHERWISE SPECIFIED		<b>BZCOOC</b> 东莞市柏洲电子有限公司 Dongguan Bzooc Electronics, Ltd	
.X± 0.35	X.*± 1.5*	APR. AX.T	TITLE: DIN 41612 双排 母座 90度弯针系列
.XX± 0.25	.X*± 1.0*	CHK. Y.L	PART NO.
.XXX± 0.15	.XX*± 0.5*	DRA. Y.L	PROJ.
		UNITS. MM	SCALE. 1:1
		CUSTOMER DRAWING	
		SHEET. 1 / 1	



**SPECIFICATIONS(技术参数)**

Current Rating (额定电流): 2.0Amps

Contact Resistance(接触电阻): 30mΩ Max

Insulator Resistance (绝缘电阻): 1000 MΩ min.

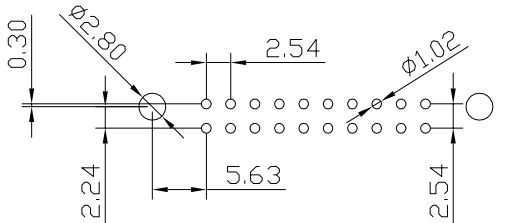
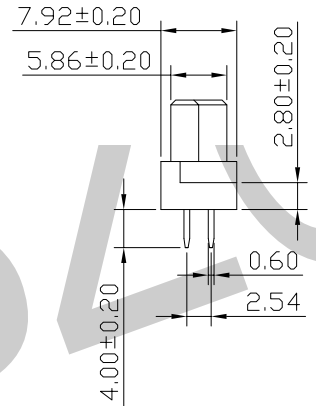
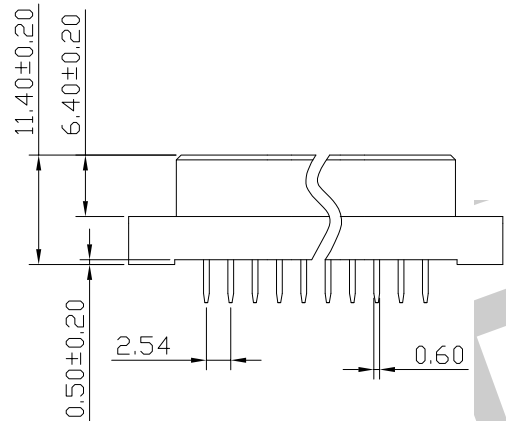
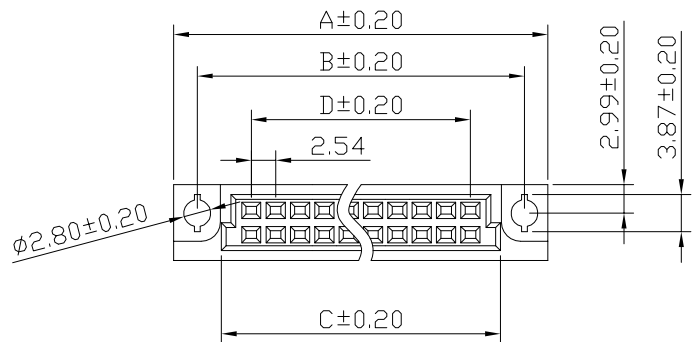
Dielectric Withstanding (耐压值): 1000VAC/minute

Operating Temperature(工作温度): -40°C-+105°C

**MATERIALS(材质):**

Contact Material(接触件材质): Phosphor Bronze

Insulator Material(绝缘体材质): 30% Glass Filled PBT



**P.C.B LAYOUT**

No. of Contacts	A	B	C	D
2*5	26.32	21.42	16.42	10.16
2*6	28.86	23.96	18.96	12.7
2*8	33.94	29.04	24.04	17.78
2*10	39.02	34.12	29.12	22.86
2*16	54.26	49.36	44.36	38.1
2*22	69.5	64.6	59.6	53.34
2*24	74.58	69.68	64.68	58.42
2*32	94.9	90	85	78.74

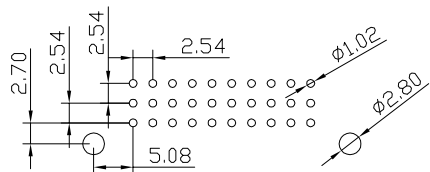
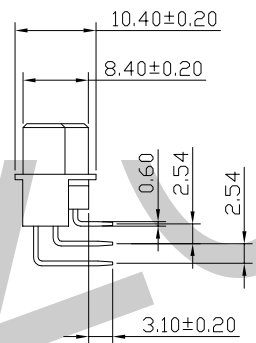
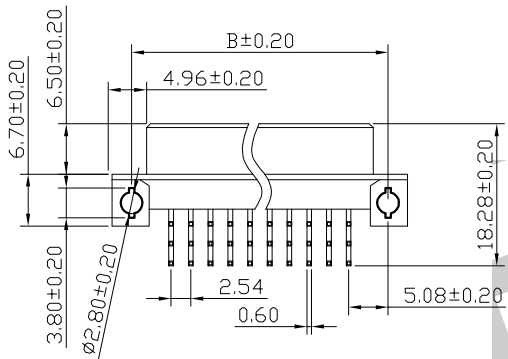
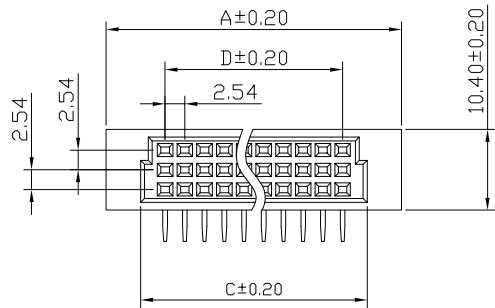
D41612-F-254-2XX-WV-SG-D-PC-000

欧式插座系列  
母座  
2.54间距  
PIN数:  
210:2\*10P  
216:2\*16P  
232:2\*32P

流水码  
本色  
盒装  
亮锡半金  
180度

AO	FIRST RELEASE	Y.L	2019.06.21
REV.	ECN. NO.	APR.	DATE

TOLERANCE UNLESS OTHERWISE SPECIFIED		<b>BZCOOC</b> 东莞市柏洲电子有限公司 Dongguan Bzooc Electronics, Ltd	
.X± 0.35	.X*± 1.5'	APR. AX.T	TITLE: DIN 41612 双排 母座 180度直插系列
.XX± 0.25	.X*± 1.0'	CHK. Y.L	PART NO.
.XXX± 0.15	.XX*± 0.5'	DRA. Y.L	UNITS. MM SCALE: 1:1 CUSTOMER DRAWING
		PROJ.	SHEET. 1 / 1



P.C.B LAYOUT

SPECIFICATIONS(技术参数)

Current Rating (额定电流): 2.0Amps  
 Contact Resistance(接触电阻): 30mΩ Max  
 Insulator Resistance (绝缘电阻): 1000 MΩ min.  
 Dielectric Withstanding (耐压值): 1000VAC/minute  
 Operating Temperature(工作温度): -40°C-+105°C

MATERIALS(材质):

Contact Material (接触件材质): Phosphor Bronze  
 Insulator Material (绝缘体材质): 30% Glass Filled PBT

No. of Contacts	A	B	C	D
3*7	30.4	25.4	21.54	15.24
3*10	38.02	33.02	29.16	22.86
3*16	53.26	48.26	44.4	38.1
3*18	58.34	53.34	49.48	43.18
3*32	93.9	88.9	85.04	78.74

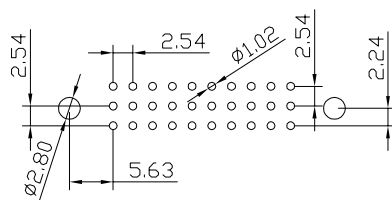
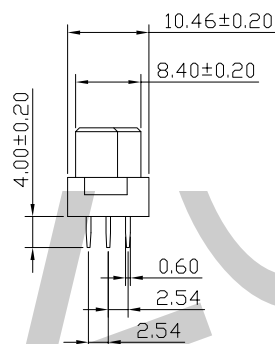
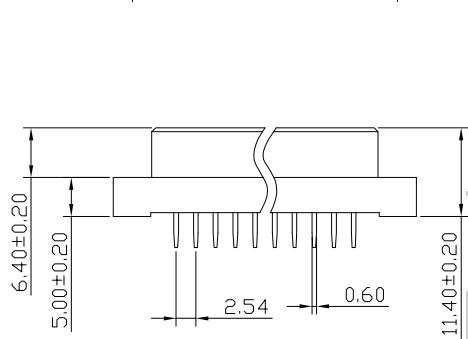
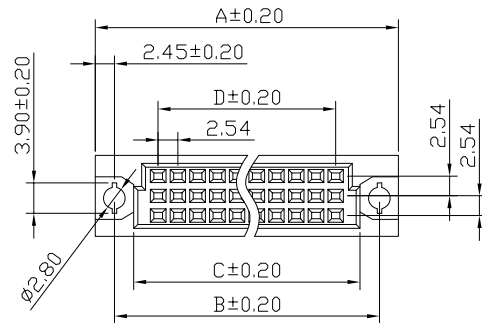
D41612-F-254-3XX-WR-SG-D-PC-000

欧式插座系列  
 母座  
 2.54间距  
 PIN数:  
 310:3\*10P  
 316:3\*16P  
 332:2\*32P

流水码  
 本色  
 盒装  
 亮锡半金  
 90度

A0	FIRST RELEASE	Y.L	2019.06.21
REV.	ECN. NO.	APR.	DATE

TOLERANCE UNLESS OTHERWISE SPECIFIED		东莞市柏洲电子有限公司 Dongguan Bzooc Electronics, Ltd	
.X± 0.35	X.*± 1.5'	APR. AX.T	TITLE: DIN 41612 三排 母座 90度弯针系列
.XX± 0.25	.X*± 1.0'	CHK. Y.L	PART NO.
.XXX± 0.15	.XX*± 0.5'	DRA. Y.L	PROJ.  UNITS. MM SCALE. 1:1 CUSTOMER DRAWING SHEET. 1/1



P.C.B LAYOUT

**SPECIFICATIONS(技术参数)**

Current Rating (额定电流): 2.0Amps  
 Contact Resistance(接触电阻): 30mΩ Max  
 Insulator Resistance (绝缘电阻): 1000 MΩ min.  
 Dielectric Withstanding (耐压值): 1000VAC/mi nute  
 Operating Temperature(工作温度): -40°C-+105°C

**MATERIALS(材质):**

Contact Material(接触件材质): Phosphor Bronze  
 Insulator Material(绝缘体材质): 30% Glass Filled PBT

No. of Contacts	A	B	C	D
3*7	31.4	26.5	21.5	15.24
3*10	39.02	34.12	29.12	22.86
3*16	54.26	49.36	44.36	38.1
3*18	59.34	54.44	49.44	43.18
3*32	94.9	90	85	78.74

D41612-F-254-3XX-WV-SG-D-PC-000

欧式插座系列  
 母座  
 2.54间距  
 PIN数:  
 310:3\*10P  
 316:3\*16P  
 332:2\*32P

流水码  
 本色  
 盒装  
 亮锡半金  
 180度

A0	FIRST RELEASE	Y.L	2019.06.21
REV.	ECN. NO.	APR.	DATE

TOLERANCE UNLESS OTHERWISE SPECIFIED		<b>BZCOOC</b> 东莞市柏洲电子有限公司 Dongguan Bzooc Electronics, Ltd	
.X± 0.35	X.*± 1.5'	APR. AX.T	TITLE: DIN 41612 三排 母座 180度直插系列
.XX± 0.25	.X*± 1.0'	CHK. Y.L	PART NO.
.XXX± 0.15	.XX*± 0.5'	DRA. Y.L	PROJ.
		UNITS. MM	SCALE. 1:1
		CUSTOMER DRAWING	
		SHEET. 1 / 1	

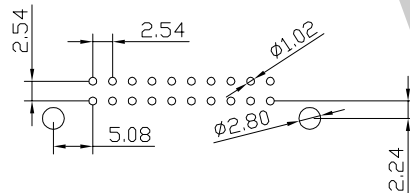
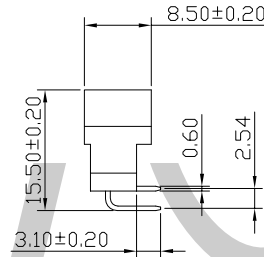
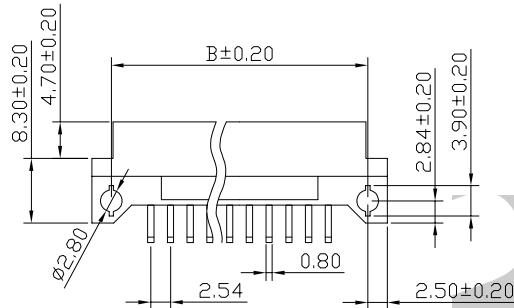
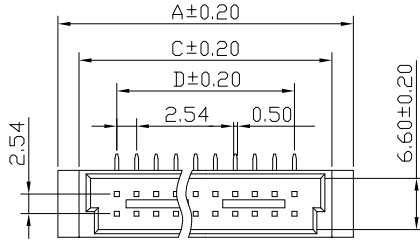


**SPECIFICATIONS (技术参数)**

Current Rating (额定电流): 2.0Amps  
 Contact Resistance (接触电阻): 30mΩ Max  
 Insulator Resistance (绝缘电阻): 1000 MΩ min.  
 Dielectric Withstanding (耐压值): 1000VAC/minute  
 Operating Temperature (工作温度): -40℃ +105℃

**MATERIALS (材质):**

Contact Material (接触件材质): Phosphor Bronze  
 Insulator Material (绝缘体材质): 30% Glass Filled PBT



**P.C.B LAYOUT**

No. of Contacts	A	B	C	D
2*5	25.4	20.32	19.85	10.16
2*6	27.94	22.86	22.39	12.7
2*8	33.02	27.94	27.47	17.78
2*10	38.1	33.02	32.55	22.86
2*16	53.34	48.26	47.79	38.1
2*22	68.58	63.5	63.03	53.34
2*24	73.66	68.58	68.11	58.42
2*32	93.98	88.9	88.43	78.74

**D41612-M-254-2XX-WR-SG-D-PC-000**

欧式插座系列  
 公座  
 2.54间距  
 PIN数:  
 210:2\*10P  
 216:2\*16P  
 232:2\*32P

流水码  
 本色  
 盒装  
 亮锡半金  
 90度

TOLERANCE UNLESS OTHERWISE SPECIFIED		<b>BZCOOC</b> 东莞市柏洲电子有限公司 Dongguan Bzooc Electronics, Ltd	
.X± 0.35	X.*± 1.5'	APR. AX.T	TITLE: DIN 41612 双排 公座 90度弯针系列
.XX± 0.25	.X.*± 1.0'	CHK. Y.L	PART NO.
.XXX± 0.15	.XX.*± 0.5'	DRA. Y.L	PROJ.  UNITS. MM SCALE. 1:1 SHEET. 1/1
		CUSTOMER DRAWING	

A0	FIRST RELEASE	Y.L	2019.06.21
REV.	ECN. NO.	APR.	DATE



**SPECIFICATIONS(技术参数)**

Current Rating (额定电流): 2.0Amps  
 Contact Resistance(接触电阻): 30mΩ Max  
 Insulator Resistance (绝缘电阻): 1000 MΩ min.  
 Dielectric Withstanding (耐压值): 1000VAC/minute  
 Operating Temperature(工作温度): -40°C-+105°C

**MATERIALS(材质):**

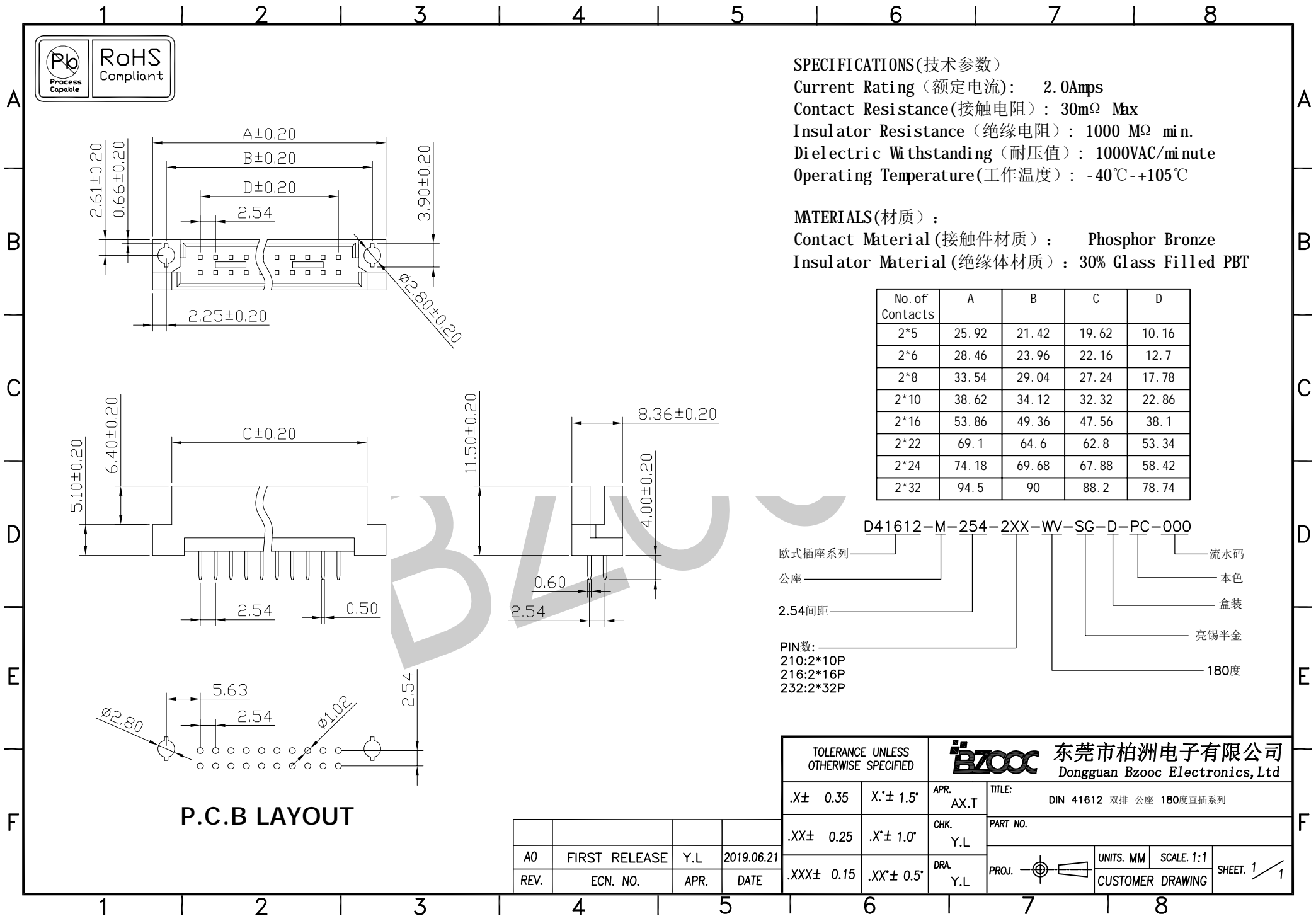
Contact Material (接触件材质): Phosphor Bronze  
 Insulator Material (绝缘体材质): 30% Glass Filled PBT

No. of Contacts	A	B	C	D
2*5	25.92	21.42	19.62	10.16
2*6	28.46	23.96	22.16	12.7
2*8	33.54	29.04	27.24	17.78
2*10	38.62	34.12	32.32	22.86
2*16	53.86	49.36	47.56	38.1
2*22	69.1	64.6	62.8	53.34
2*24	74.18	69.68	67.88	58.42
2*32	94.5	90	88.2	78.74

D41612-M-254-2XX-WV-SG-D-PC-000

欧式插座系列  
 公座  
 2.54间距  
 PIN数:  
 210:2\*10P  
 216:2\*16P  
 232:2\*32P

流水码  
 本色  
 盒装  
 亮锡半金  
 180度



**P.C.B LAYOUT**

A0	FIRST RELEASE	Y.L	2019.06.21
REV.	ECN. NO.	APR.	DATE

TOLERANCE UNLESS OTHERWISE SPECIFIED		<b>东莞市柏洲电子有限公司</b> Dongguan Bzooc Electronics, Ltd	
.X± 0.35	X.*± 1.5*	APR. AX.T	TITLE: DIN 41612 双排 公座 180度直插系列
.XX± 0.25	.X*± 1.0*	CHK. Y.L	PART NO.
.XXX± 0.15	.XX*± 0.5*	DRA. Y.L	PROJ.  UNITS. MM SCALE. 1:1 CUSTOMER DRAWING SHEET. 1/1

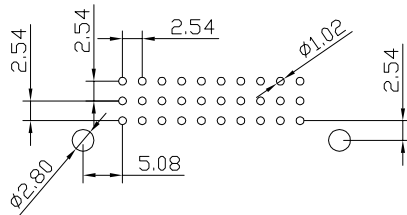
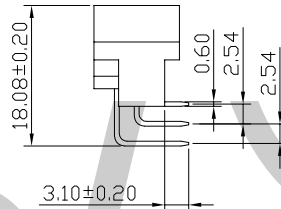
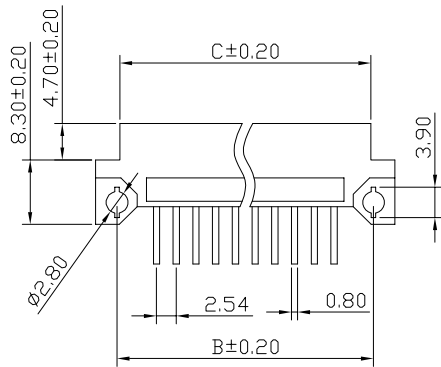
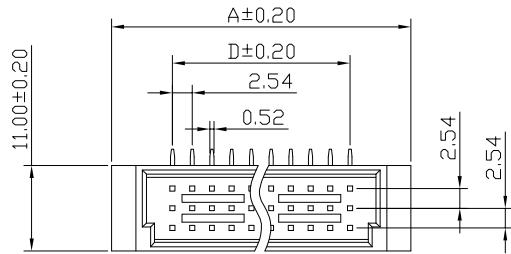


**SPECIFICATIONS (技术参数)**

Current Rating (额定电流): 2.0Amps  
 Contact Resistance (接触电阻): 30mΩ Max  
 Insulator Resistance (绝缘电阻): 1000 MΩ min.  
 Dielectric Withstanding (耐压值): 1000VAC/minute  
 Operating Temperature (工作温度): -40°C-+105°C

**MATERIALS (材质):**

Contact Material (接触件材质): Phosphor Bronze  
 Insulator Material (绝缘体材质): 30% Glass Filled PBT



**P.C.B LAYOUT**

No. of Contacts	A	B	C	D
3*7	30.9	25.4	24.7	15.24
3*10	38.52	33.02	32.32	22.86
3*16	53.76	48.26	47.56	38.1
3*18	58.84	53.34	52.64	43.18
3*32	94.4	88.9	88.2	78.74

**D41612-M-254-3XX-WR-SG-D-PC-000**

欧式插座系列  
 公座  
 2.54间距  
 PIN数:  
 310:3\*10P  
 316:3\*16P  
 332:2\*32P

流水码  
 本色  
 盒装  
 亮锡半金  
 90度

A0	FIRST RELEASE	Y.L	2019.06.21
REV.	ECN. NO.	APR.	DATE

TOLERANCE UNLESS OTHERWISE SPECIFIED		BZOOC 东莞市柏洲电子有限公司 Dongguan Bzooc Electronics, Ltd	
.X± 0.35	X.*± 1.5*	APR. AX.T	TITLE: DIN 41612 三排 公座 90度弯针系列
.XX± 0.25	.X*± 1.0*	CHK. Y.L	PART NO.
.XXX± 0.15	.XX*± 0.5*	DRA. Y.L	PROJ.  UNITS. MM SCALE. 1:1 SHEET. 1/1
		CUSTOMER DRAWING	



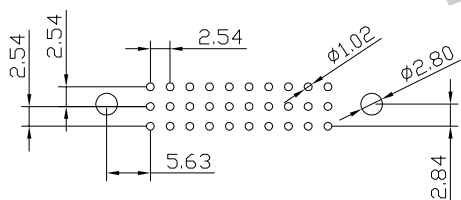
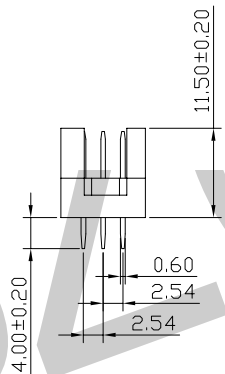
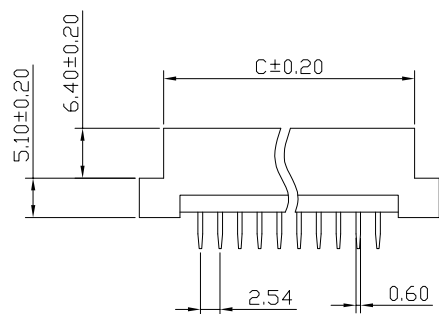
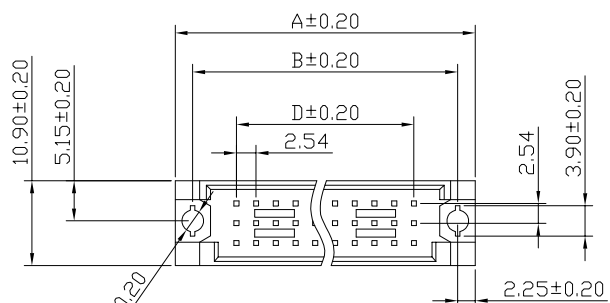


**SPECIFICATIONS (技术参数)**

Current Rating (额定电流): 2.0Amps  
 Contact Resistance (接触电阻): 30mΩ Max  
 Insulator Resistance (绝缘电阻): 1000 MΩ min.  
 Dielectric Withstanding (耐压值): 1000VAC/minute  
 Operating Temperature (工作温度): -40°C--+105°C

**MATERIALS (材质):**

Contact Material (接触件材质): Phosphor Bronze  
 Insulator Material (绝缘体材质): 30% Glass Filled PBT



**P.C.B LAYOUT**

No. of Contacts	A	B	C	D
3*7	31	26.5	24.7	15.24
3*10	38.62	34.12	32.32	22.86
3*16	53.86	49.36	47.56	38.1
3*18	58.94	54.44	52.64	43.18
3*32	94.5	90	88.2	78.74

D41612-M-254-3XX-WV-SG-D-PC-000

欧式插座系列  
 公座  
 2.54间距  
 PIN数:  
 310:3\*10P  
 316:3\*16P  
 332:2\*32P

流水码  
 本色  
 盒装  
 亮锡半金  
 180度

TOLERANCE UNLESS OTHERWISE SPECIFIED		<b>BZCOOC</b> 东莞市柏洲电子有限公司 Dongguan Bzooc Electronics, Ltd	
.X± 0.35	X.*± 1.5'	APR. AX.T	TITLE: DIN 41612 三排 公座 180度直插系列
.XX± 0.25	.X'± 1.0'	CHK. Y.L	PART NO.
.XXX± 0.15	.XX'± 0.5'	DRA. Y.L	PROJ.
		UNITS. MM	SCALE. 1:1
		CUSTOMER DRAWING	
		SHEET. 1 / 1	

A0	FIRST RELEASE	Y.L	2019.06.21
REV.	ECN. NO.	APR.	DATE