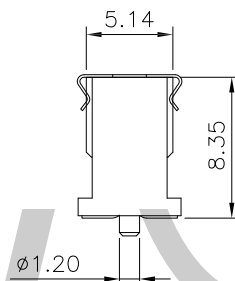
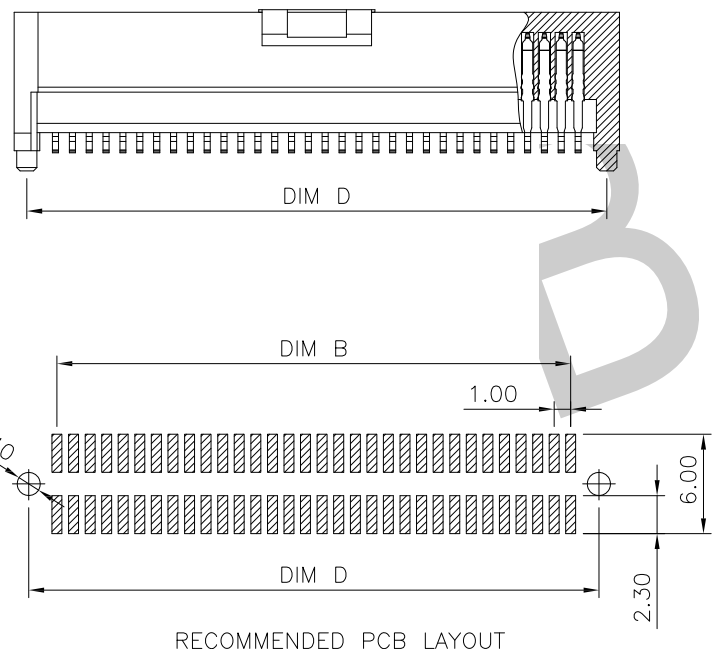


MATING DRAW REF

DIM F	DIM H
5.35	9.65
10.35	14.65

ELECTRICAL:
 VLOTAG RATING:50V AC(RMS)/DC
 CURRENT RATING:0.5A AC(RMS)/DC
 CONTACT RESISTANCE:50MΩ MAX
 INSULATION RESISTANCE:100MΩ MIN
 DIELECTRIC WITHSTANDING VOLTAGE:200V AC R.M.S
 OPERATING TEMPERATURE:-30°C~+80°C
 MATERIALS
 HOUSING:HIGH TEMPERATURE PLASTIC UL94V-0
 TERMINAL:COPPER ALLOY
 MATERIAL:LCP
 CONTACT:PHOSPHOR BRONAE,SEMI GOLD TIN

PIN No.	DIM A	DIM B	DIM C	DIM D
50	28.90	24.00	27.58	27.40
64	35.90	31.00	34.58	34.40
70	38.90	34.00	37.58	37.40
100	53.90	49.00	52.58	52.40



BT 100-01-085-2XX-F-WVS-G3-F-TC-XXX-PC-000

板对板
 间距:1.0MM
 01系列
 塑胶高度:8.35

PIN数:
 225:2*25P
 232:2*32P
 235:2*35P
 250:2*50P

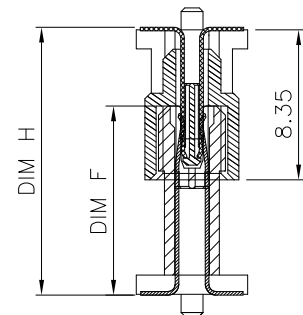
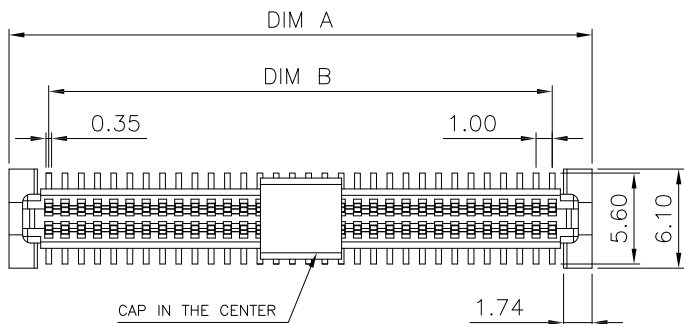
F:母座

流水码
 颜色:本色
 板对板合高:
 096:9.65
 146:14.65

TC:管装+CAP
 F:LCP
 G3:镀金 3U"
 180° SMT

A0	FIRST RELEASE	Y.L	2019.06.21
REV.	ECN. NO.	APR.	DATE

TOLERANCE UNLESS OTHERWISE SPECIFIED		东莞市柏洲电子有限公司 Dongguan BzooC Electronics, Ltd	
.X± 0.35	.X'± 1.5'	APR. AX.T	TITLE: 1.0mm 01系列 板对板 母座
.XX± 0.25	.X'± 1.0'	CHK. Y.L	PART NO.
.XXX± 0.15	.XX'± 0.5'	DRA. Y.L	PROJ.
		UNITS. MM	SCALE: 1:1
		CUSTOMER DRAWING	
		SHEET. 1 / 1	

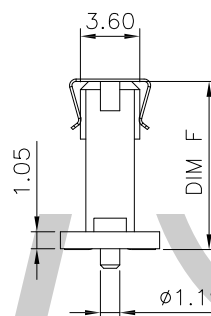
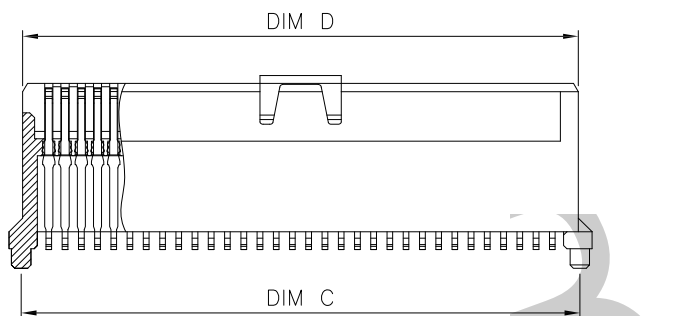


MATING DRAW REF

ELECTRICAL:
 VLOTAG RATING:50V AC(RMS)/DC
 CURRENT RATING:0.5A AC(RMS)/DC
 CONTACT RESISTANCE:50MΩ MAX
 INSULATION RESISTANCE:100MΩ MIN
 DIELECTRIC WITHSTANDING VOLTAGE:200V AC R.M.S
 OPERATING TEMPERATURE:-30°C~+80°C
 MATERIALS
 HOUSING:HIGH TEMPERATURE PLASTIC UL94V-0
 TERMINAL:COPPER ALLOY
 MATERIAL:LCP
 CONTACT:PHOSPHOR BRONZE,GOLD PLATING.

DIM F	DIM H
5.35	9.65
10.35	14.65

PIN No.	DIM A	DIM B	DIM C	DIM D
50	28.90	24.00	27.40	27.22
64	35.90	31.00	34.40	34.22
70	38.90	34.00	37.40	37.22
100	53.90	49.00	52.40	52.22



BT 100-01-0XX-2XX-M-WVS-G3-F-TC-XXX-PC-000

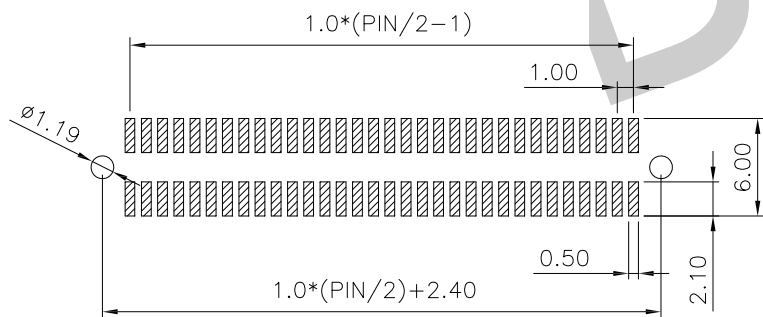
板对板
 间距:1.0MM
 01系列
 塑胶高度:
 053:5.35
 103:10.35

PIN数:
 225:2*25P
 232:2*32P
 235:2*35P
 250:2*50P

M:公座

流水码
 颜色:本色
 板对板合高:
 096:9.65
 146:14.65

TC:管装+CAP
 F:LCP
 G3:镀金 3U"
 180° SMT



RECOMMENDED PCB LAYOUT

A0	FIRST RELEASE	Y.L	2019.06.21
REV.	ECN. NO.	APR.	DATE

TOLERANCE UNLESS OTHERWISE SPECIFIED		BZOO 东莞市柏洲电子有限公司 Dongguan Bzoo Electronics, Ltd	
.X± 0.35	X.'± 1.5'	APR. AX.T	TITLE: 1.0mm 01系列 板对板 公座
.XX± 0.25	.X'± 1.0'	CHK. Y.L	PART NO.
.XXX± 0.15	.XX'± 0.5'	DRA. Y.L	PROJ.
		UNITS. MM	SCALE: 1:1
		CUSTOMER DRAWING	
		SHEET. 1 / 1	