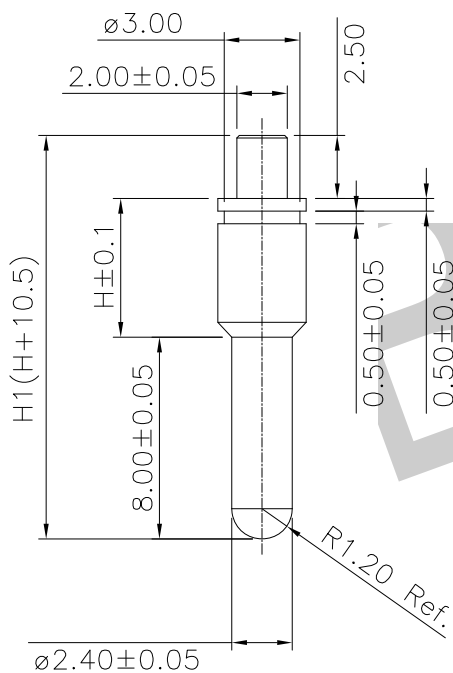


TOLERANCE: ± 0.05 ,
RECOMMENDED PCB LAYOUT
(TOP VIEW)

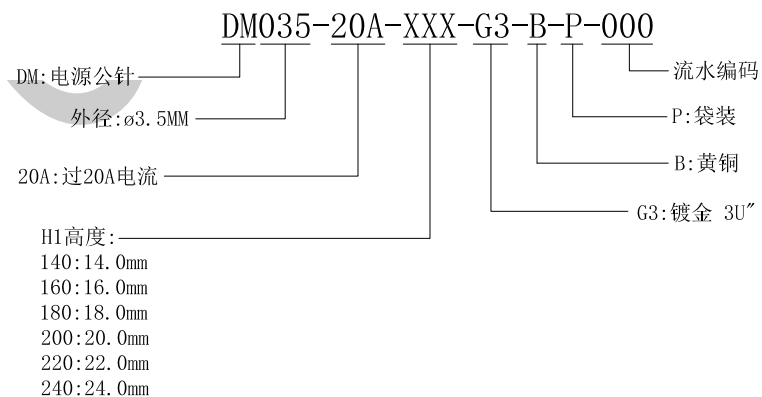
表示焊接区域

技术参数/Technical parameters

| | |
|----------------------------|---------------------------------------|
| 额定电流/Current Rating | :20AMP |
| 接触阻抗/Contact Resistance | :20m Ω Max. |
| 耐电压值/Voltage Resistance | :AC 500V |
| 工作温度/Operating Temperature | :-40 $^{\circ}$ C ~ +105 $^{\circ}$ C |
| 金属材料/Metallic Material | :Copper alloy |
| 金属处理/Metal Treatment | :Ni (30~50u") + Au3u" |

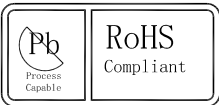


| H | H1 |
|------|------|
| 3.5 | 14.0 |
| 5.5 | 16.0 |
| 7.5 | 18.0 |
| 9.5 | 20.0 |
| 11.5 | 22.0 |
| 13.5 | 24.0 |



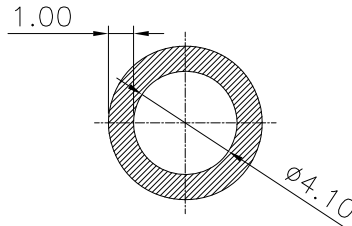
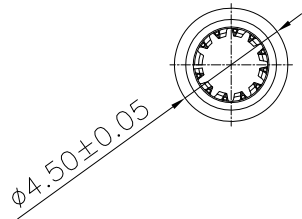
| | | | |
|------|---------------|------|------------|
| AO | FIRST RELEASE | Y.L | 2019.06.21 |
| REV. | ECN. NO. | APR. | DATE |

| | | | |
|--------------------------------------|-----------------|---|--|
| TOLERANCE UNLESS OTHERWISE SPECIFIED | | BZOOC 东莞市柏洲电子有限公司 Dongguan BzooC Electronics, Ltd | |
| .X \pm 0.35 | X.' \pm 1.5' | APR. AX.T | TITLE: $\phi 3.5$ 电源公针 20A系列 |
| .XX \pm 0.25 | .X' \pm 1.0' | CHK. Y.L | PART NO. |
| .XXX \pm 0.15 | .XX' \pm 0.5' | DRA. Y.L | PROJ. UNITS. MM SCALE: 1:1 SHEET. 1 / 1 |
| | | CUSTOMER DRAWING | |



技术参数/Technical parameters

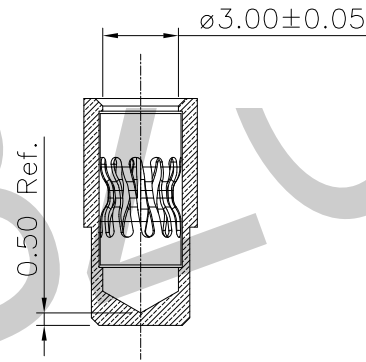
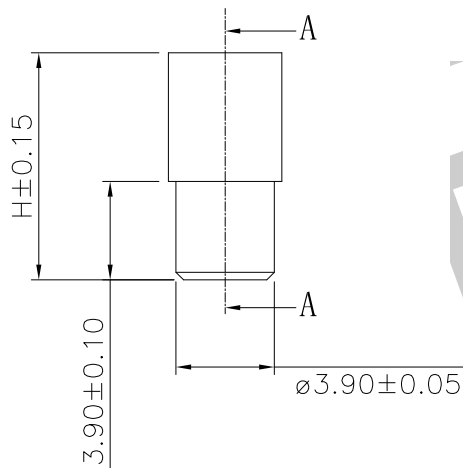
| | |
|----------------------------|-----------------------|
| 额定电流/Current Rating | :20AMP |
| 接触阻抗/Contact Resistance | :20mΩ Max. |
| 耐电压值/Voltage Resistance | :AC 500V |
| 工作温度/Operating Temperature | :-40℃ ~ +105℃ |
| 金属材料/Metallic Material | :Copper alloy |
| 金属处理/Metal Treatment | :Ni (30~50u") + Au3u" |



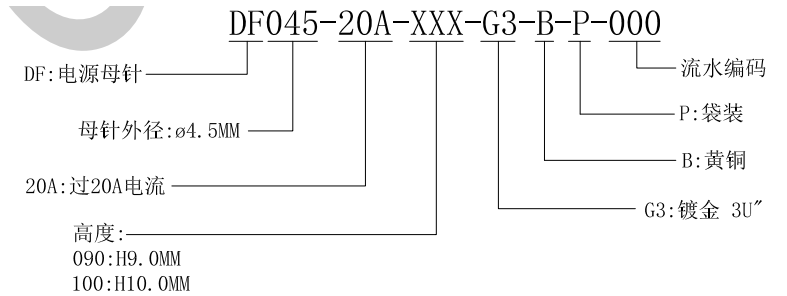
TOLERANCE: ± 0.05 ,
RECOMMENDED PCB LAYOUT
(TOP VIEW)

表示焊接区域

| |
|------|
| H |
| 9.0 |
| 10.0 |



剖面A-A
比例: 1:1



| | | | | | |
|--------------------------------------|-----------------|--------------|------------------------------|---|--------------|
| TOLERANCE UNLESS OTHERWISE SPECIFIED | | | | BZOOC 东莞市柏洲电子有限公司 Dongguan BzooC Electronics, Ltd | |
| .X \pm 0.35 | X.* \pm 1.5* | APR. AX.T | TITLE: $\phi 4.5$ 电源母针 20A系列 | | |
| .XX \pm 0.25 | .X* \pm 1.0* | CHK. Y.L | PART NO. | | |
| .XXX \pm 0.15 | .XX* \pm 0.5* | DRA. Y.L | PROJ. | UNITS. MM | SCALE: 1:1 |
| REV. | ECN. NO. | APR. | DATE | CUSTOMER DRAWING | SHEET. 1 / 1 |

| | | | |
|------|---------------|------|------------|
| A0 | FIRST RELEASE | Y.L | 2019.06.21 |
| REV. | ECN. NO. | APR. | DATE |