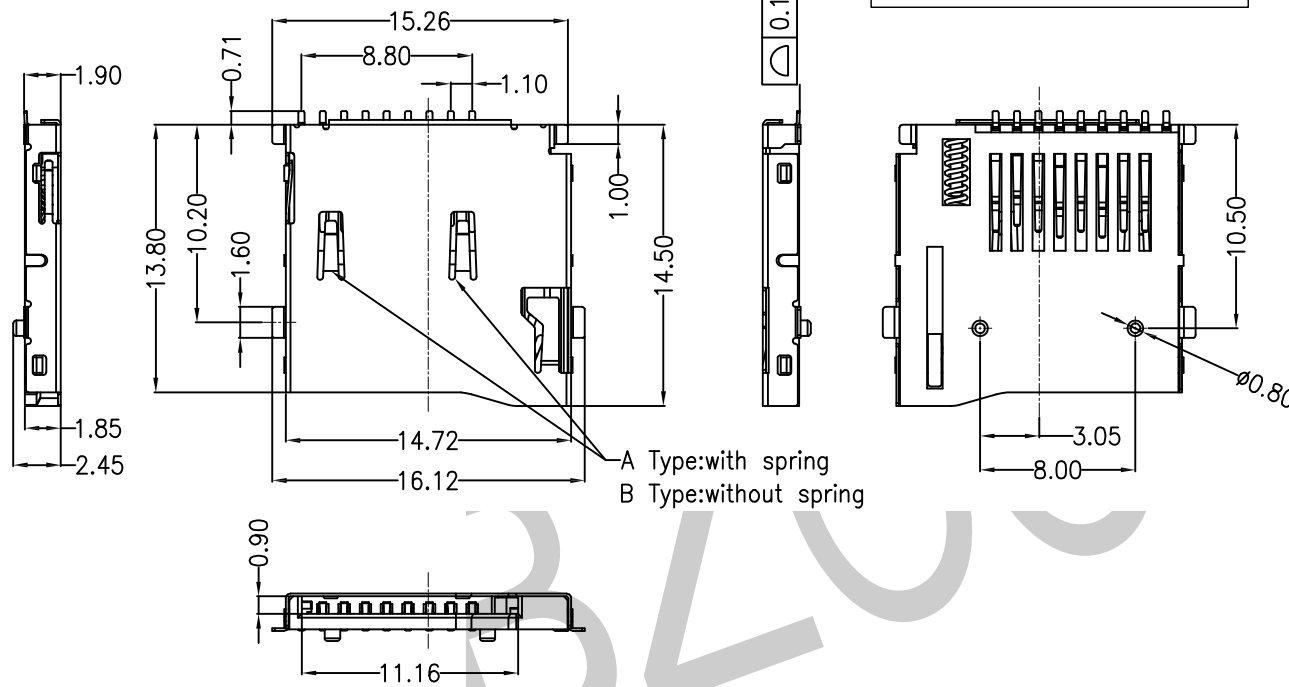
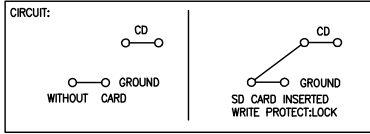




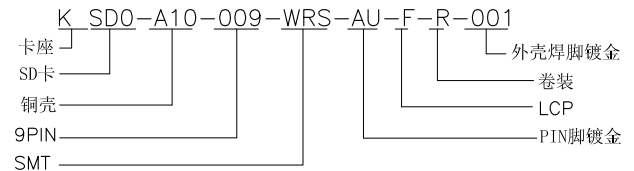
SPECIFICATION

- 1.MATERIAL:
HOUSING:HIGH TEMPERATURE THERMOPLASTIC
UL 94V-0 , COLOR:BLACK
CONTACT: COPPER ALLOY
COVER: COPPER ALLOY
- 2.PLATING:
UNDERPLATE: GOLD
CONTACT AREA:GOLD
SOLDER AREA:GOLD
- 3.COPLANARITY MUST BE WITHIN 0.10mm



Pin No.		MICRO SD
PIN1	DAT2	1P
PIN2	CD/DAT3	2P
PIN3	CMD	3P
PIN4	VDD	4P
PIN5	CLK	5P
PIN6	VSS	6P
PIN7	DAT0	7P
PIN8	DAT1	8P
PIN9	CARD DETECT	

Electrical Characteristics:
 Operating voltage : 100V AC(rms)/DC.
 Current rating : 0.5 A.
 Operating Temperature: -25°C~+90°C.
 Insulation resistance: 1000M ohms min. at 250VDC
 Dielectric withstanding voltage:500 VAC/1minute.
 Contact resistance: 100m ohms max.
 Mating cycle: 10000 cycles at the speed rate of 400-600 cycles/h; Without distortion of plastic and serious wear and tear in terminal, No signal break.



A0	FIRST RELEASE	Y.L	2019.06.21
REV.	ECN. NO.	APR.	DATE

TOLERANCE UNLESS OTHERWISE SPECIFIED		BZOC 东莞市柏洲电子有限公司 Dongguan Bzoc Electronics, Ltd	
.X± 0.35	X'± 1.5'	APR. AX.T	TITLE: T-FLASH 卡座 PUSH PUSH 外焊自弹 双弹片 9PIN H=1.9mm
.XX± 0.25	.X'± 1.0'	CHK. Y.L	PART NO.
.XXX± 0.15	.XX'± 0.5'	DRA. Y.L	UNITS. MM SCALE: 1:1 SHEET. 1/1
PROJ.		CUSTOMER DRAWING	