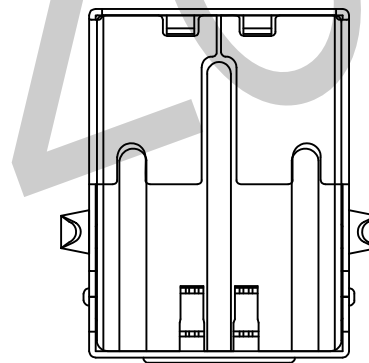


P. C. B. LAYOUT



Notes

1. Material:

Contacts: Phosphor Bronze
 Insulator: PBT +30% G.F UL 94V-0
 Shell: Spcc/Brass

2. Mechanical:

Mating: 35N max.
 Withdrawal Force: 10N min.
 Durability: 1500 cycles min.

3. Electrical:

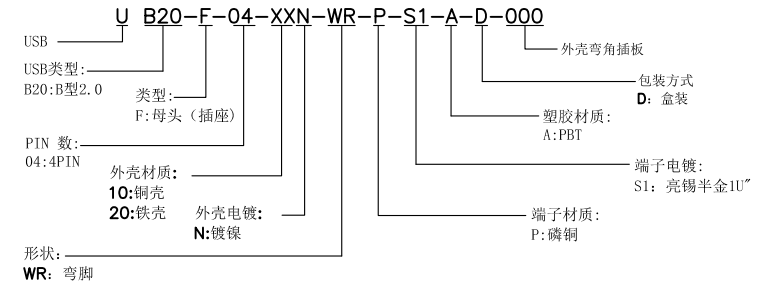
Current-max[amps] 1.5A
 Voltage-max[volts] 30V
 Withstanding Voltage 500V AC
 Contact Resistance 30mΩ max.
 Insulation Resistance 1000MΩ min.

4. Plating:

Contacts: GOLD PLATED 1U"
 TIN PLATED ON SOLDER TAIL
 Shell: Nickel over all plating

5. Environmental

Temperature Range -55°C~+85°C



TOLERANCE UNLESS OTHERWISE SPECIFIED				BZOOC 东莞市柏洲电子有限公司 Dongguan BzooC Electronics, Ltd	
.X± 0.35	X.'± 1.5'	APR. AX.T	TITLE: USB2.0 B/F 90° DIP		
.XX± 0.25	.X'± 1.0'	CHK. Y.L	PART NO.		
.XXX± 0.15	.XX'± 0.5'	DRA. Y.L	PROJ.	UNITS. MM	SCALE. 1:1
A0	FIRST RELEASE	Y.L	2019.06.21	CUSTOMER DRAWING	
REV.	ECN. NO.	APR.	DATE	SHEET. 1 / 1	