



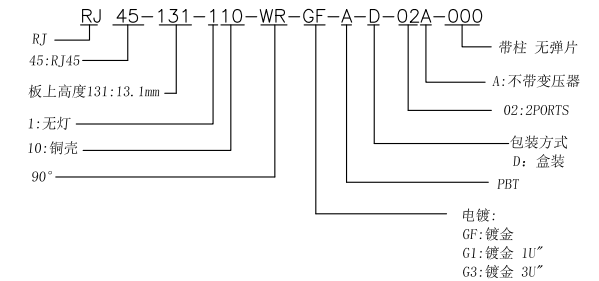
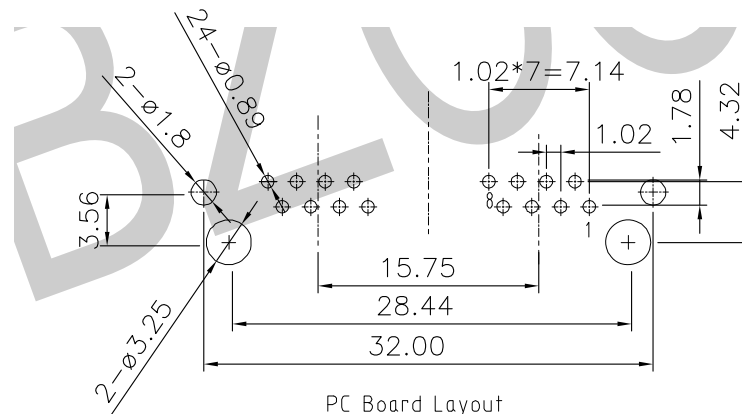
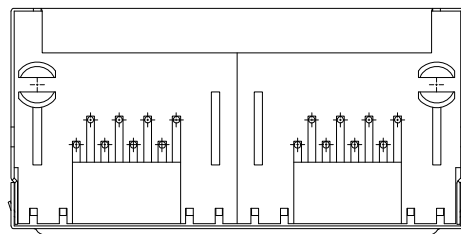
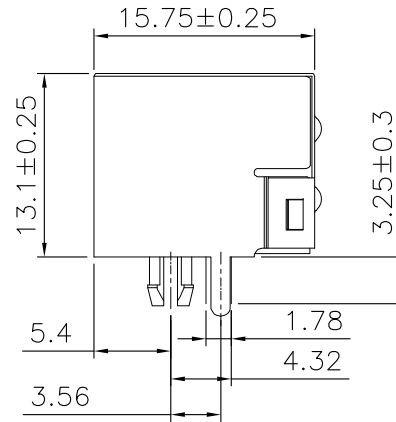
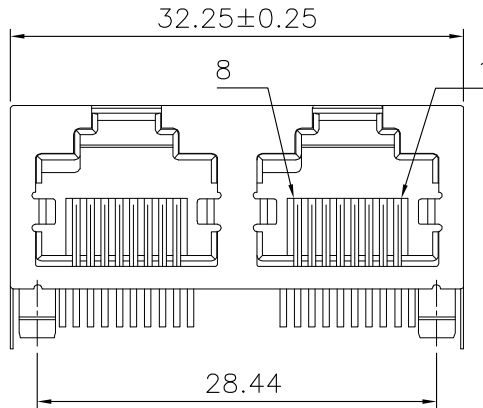
**NOTES:**

**MATERIAL:**

- 1. HOUSING MATERIAL :PBT (UL 94V-0)
- 2. CONTACT MATERIAL :ROUND PINS-0.46mm DIAMETER PHOSPHOR BRONZE; GOLD PLATING OVER NICKEL
- 3. SHIELD :0.20mm THICKNESS COPPER ALLOY WITH NICKEL PLATED
- 4. LED :OPTION

**ELECTRICAL/PHYSICAL:**

- 1. VOLTAGE RATING :125 VAC RMS
- 2. CURRENT RATING :1.5 AMP
- 3. CONTACT RESISTANCE :30 MILLIOHMS MAX2
- 4. INSULATION RESISTANCE :500 MEGOHMS MIN @500V DC
- 5. DIELECTRIC WITHSTANDING RESISTANCE :1000V AC RMS 60Hz 1MIN
- 6. DURABILITY :750 CYCLES MIN
- 7. TEMPERATURE :-40 ° C/+85 ° C



PC Board Layout  
Component Side Shown

TOLERANCE UNLESS OTHERWISE SPECIFIED		<b>BZOOC</b> 东莞市柏洲电子有限公司 Dongguan BzooC Electronics, Ltd	
.X± 0.35	X.*± 1.5°	APR. AX.T	TITLE: RJ45 1X2PORTS 90° 插板 带柱 H=13.10MM 无灯无弹
.XX± 0.25	.X.*± 1.0°	CHK. Y.L	PART NO.
.XXX± 0.15	.XX.*± 0.5°	DRA. Y.L	PROJ.  UNITS. MM SCALE: 1:1 SHEET. 1 / 1
A0	FIRST RELEASE	Y.L	2019.06.21
REV.	ECN. NO.	APR.	DATE
		CUSTOMER DRAWING	

A0	FIRST RELEASE	Y.L	2019.06.21
REV.	ECN. NO.	APR.	DATE