



NOTES:

MATERIAL:

- 1. HOUSING MATERIAL : GLASS FILLED POLYESTER UL94V-0.
- 2. CONTACT MATERIAL : PHOSPHOR BRONZE T=0.30MM
- 3. PLATING : SELECTING GOLD PLATING 3U" -50U" OVER NICKEL

ELECTRICAL:

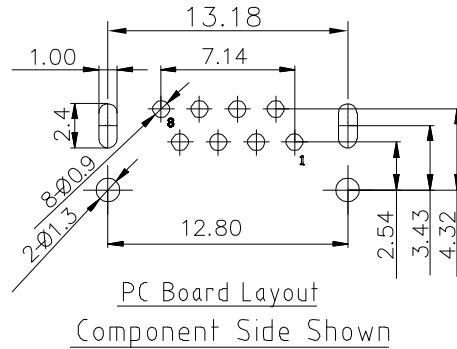
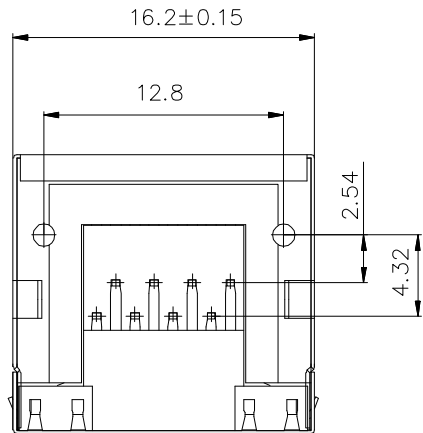
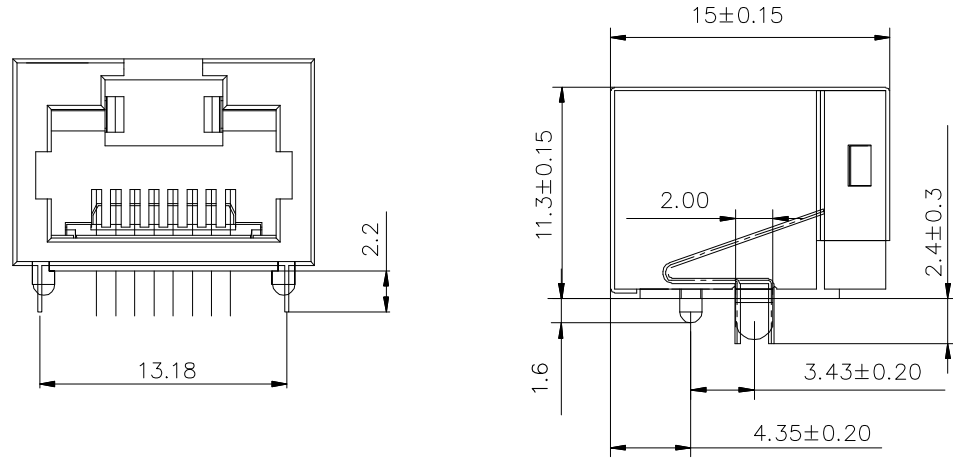
- 1. VOLTAGE RATING : 125 VAC RMS
- 2. CURRENT RATING : 1.5 AMP
- 3. CONTACT RESISTANCE : 30 MILLIOHMS MAX
- 4. INSULATION RESISTANCE : 500 MEGOHMS MIN @500V DC
- 5. DIELECTRIC WITHSTANDING RISTANCE : 1000V AC RMS 50Hz. 1MIN

MECHANICAL:

- 1. DURABILITY : 750 CYCLES MIN
- 2. PCB RETENTION PRE-SOLDER

ENVIRONMENT:

- 1. STORAGE : -40°C/+85°C
- 2. OPERATING : 0°C/+70°C



RJ 45-113-110-WR-GF-A-D-01A-000

RJ ———— 带柱 无弹  
 45:RJ45 ———— A:不带变压器  
 板上高度11.3mm ———— 01:1PORTS  
 1:无灯 ———— 包装方式  
 10:铜壳 ———— D: 盒装  
 90° ———— PBT ———— 电镀:  
 GF:镀金  
 G1:镀金 1U"  
 G3:镀金 3U"

TOLERANCE UNLESS OTHERWISE SPECIFIED		<b>BZOOC</b> 东莞市柏洲电子有限公司 Dongguan BzooC Electronics, Ltd	
.X± 0.35	X.*± 1.5*	APR. AX.T	TITLE: RJ45 1X1PORTS 90° 插板 带柱 H=11.3MM 无灯无弹
.XX± 0.25	.X*± 1.0*	CHK. Y.L	PART NO.
.XXX± 0.15	.XX*± 0.5*	DRA. Y.L	PROJ.  UNITS. MM SCALE: 1:1 SHEET. 1 / 1
CUSTOMER DRAWING			

A0	FIRST RELEASE	Y.L	2019.06.21
REV.	ECN. NO.	APR.	DATE