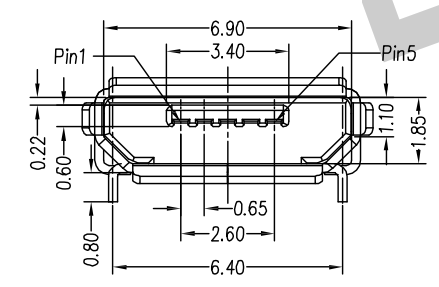
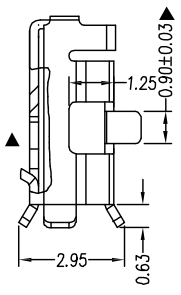
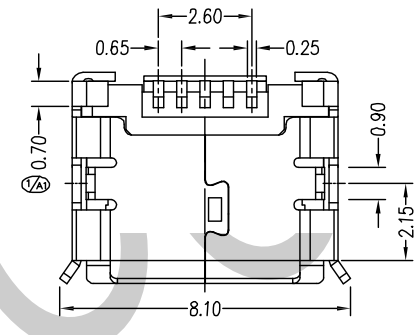
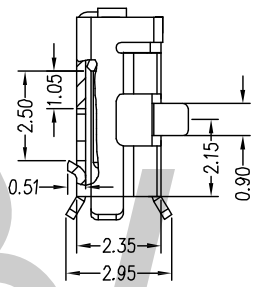
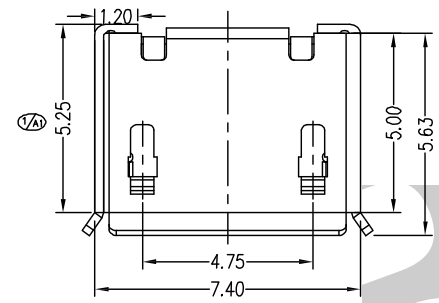
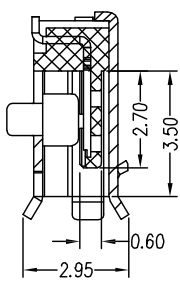


Note:  
 1.Material:  
 1.1 Housing: High temperature thermoplastic with g.f,UL94v-0  
 1.2 Contact: copper alloy,t=0.20mm  
 1.3 Shell: copper alloy,t=0.25mm  
 2.Specification:  
 2.1 Current rating: 1 A Max.  
 2.2 Dielectric withstanding voltage: 100 V(ac) for 1 min.  
 2.3 Contact resistance: 50 mΩ Max.  
 2.4 Insulation resistance: 100 MΩ Min.  
 2.5 Total mating force: 3.57 Kgf Max.  
 2.6 Total unmating force: 1.0 Kgf Min.0.81~2.05 Kgf Min.after 10000 insertion/extraction cycles  
 2.7 Temperature range: -30°C~80°C



U MIC-F-05-10N-WRS-P-M1-F-P-001  
 USB  
 MIC: MICRO USB  
 F: 母头 (插座)  
 05: 5PIN  
 外壳材质:  
 10: 铜壳  
 90° SMT  
 有卷边 外壳脚SMT+DIP  
 包装方式  
 R: 卷装  
 RM: 卷装+麦拉  
 塑胶材质:  
 F: LCP  
 端子电镀:  
 M1: 雾锡半金1U"  
 端子材质:  
 P: 磷铜

TOLERANCE UNLESS OTHERWISE SPECIFIED		<b>BZOOC</b> 东莞市柏洲电子有限公司 Dongguan Bzooc Electronics, Ltd	
.X± 0.35	X.*± 1.5'	APR. AX.T	TITLE: Micro usb 5P 母座 90° SMT 有卷边 外壳脚SMT+DIP
.XX± 0.25	.X*± 1.0'	CHK. Y.L	PART NO.
.XXX± 0.15	.XX*± 0.5'	DRA. Y.L	PROJ.  UNITS. MM SCALE: 1:1 SHEET. 1/1
CUSTOMER DRAWING			

A0	FIRST RELEASE	Y.L	2019.06.21
REV.	ECN. NO.	APR.	DATE