



SPECIFICATIONS:

1. ELECTRICAL CHARACTERISTICS

- 1-1. CONTACT RESISTANCE: 80 milliohms MAX.
- 1-2. INSULATION RESISTANCE: 1,00 Megohms MIN.
- 1-3. DIELECTRIC WITHSTANDING VOLTAGE: 500V AC FOR 1 MINUTE.

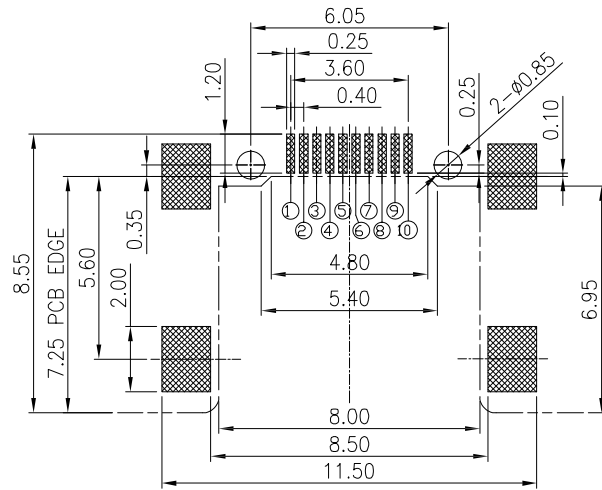
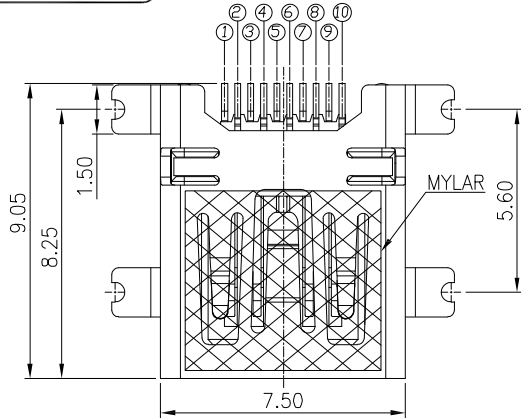
2. MECHANICAL CHARACTERISTICS

- 2-1. RETENTION FORCE: MIN.100gf/PIN
- 2-2. DURABILITY: 5,000 CYCLES
- 2-3. RoHS 2002/95/EC COMPLIANT.
- 3. PACKING: 800PCS/REEL

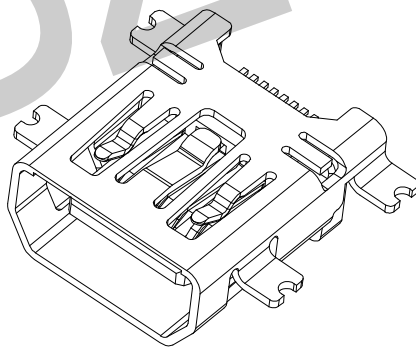
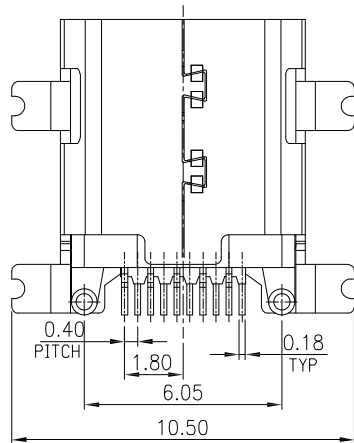
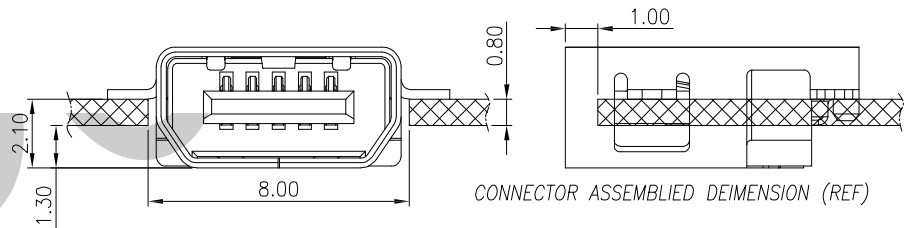
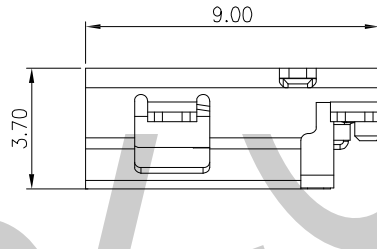
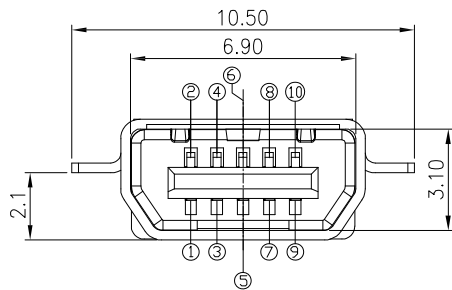
PIN DEFINE:

PART	Upper five pin(usb standard)					below five pin(extended function)				
	P2	P4	P6	P8	P10	P1	P3	P5	P7	P9
USB	VBUS	D-	D+		GND					

C	SHIELD	1	COPPER ALLOY 0.30T	Ni&Tin PLATED
B	TERMINAL	10	COPPER ALLOY 0.15T	Gold Flash On Contact Area Tin plated on Solder tail All over Nickel Plated .
A	HOUSING	1	THERMOPLASTIC UL94-V0	BLACK
NO	DESCRIPTION	QTY	MATERIAL	PLATING & COLOR



RECOMMENDED P.C.B. LAYOUT
TOLERANCE UNSPECIFIED ±0.05mm



U MIN-F-10-10N-CRS-B-SG-F-RM-000

USB ————
MIN:MINI USB ————
F: 母头 (插座) ————
10: 10PIN ————
外壳材质: ————
10: 铜壳 ————
外壳电镀: ————
N: 镀镍 ————
90° 沉板SMT ————

沉板2.1, 外壳四全贴 ————
包装方式 ————
RM: 卷装+麦拉 ————
塑胶材质: ————
F:LCP ————
端子电镀: ————
SG: 亮锡半金 ————
端子材质: ————
B: 黄铜 ————

TOLERANCE UNLESS OTHERWISE SPECIFIED		BZOC 东莞市柏洲电子有限公司 Dongguan Bzoc Electronics, Ltd	
.X± 0.35	X.*± 1.5*	APR. AX.T	TITLE: MINI USB 10PIN 母座 沉板SMT
.XX± 0.25	.X*± 1.0*	CHK. Y.L	PART NO.
.XXX± 0.15	.XX*± 0.5*	DRA. Y.L	PROJ.
A0	FIRST RELEASE	Y.L	2020.06.01
REV.	ECN. NO.	APR.	DATE
		UNITS. MM	SCALE: 1:1
		CUSTOMER DRAWING	
		SHEET. 1 / 1	