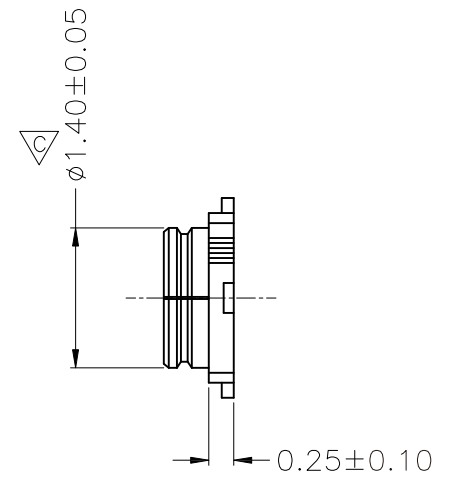
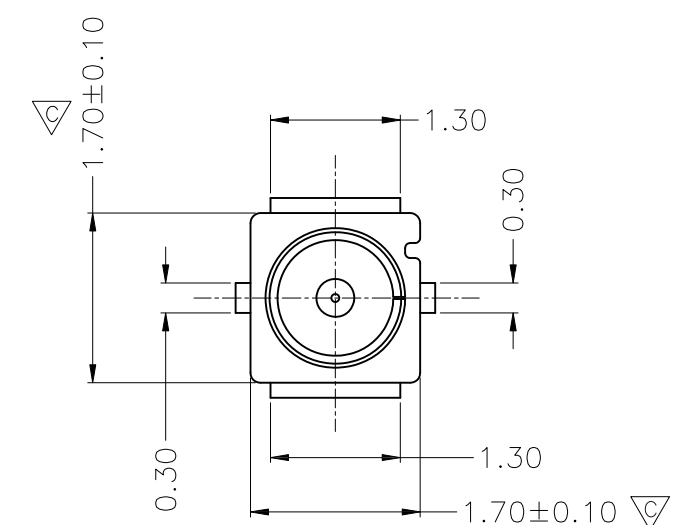


Recommended PCB layout  
(TOLERANCE: ±0.05)

- NOTE:**
- HOUSING MATERIAL: LCP, BLACK, UL94V-0.
  - TERMINAL MATERIAL: COPPER ALLOY (C2680), Au: 3u", Ni: 50~120u".
  - SHELL MATERIAL: COPPER ALLOY (C5191), Au: 1~3u", Ni: 50~120u".
  - ALL DIMENSIONS MARKED WITH  $\nabla$  ARE CRITICAL.
  - THESE PRODUCTS MEET ROHS REQUIREMENTS.



RF014-007-WVS-G3-F-R-000

RF天线座 — 第四代天线座  
 外径: ø1.4 — 卷装  
 板上高度: 0.7MM —  
 180° SMT — 塑胶材质: LCP  
 镀金3u" —

A0	FIRST RELEASE	Y.L	2019.06.21
REV.	ECN. NO.	APR.	DATE

TOLERANCE UNLESS OTHERWISE SPECIFIED		<b>BZOOC</b> 东莞市柏洲电子有限公司 Dongguan BzooC Electronics, Ltd	
.X± 0.35	X.*± 1.5'	APR. AX.T	TITLE: RF COAXIAL RECEPTACLE TYPE 4
.XX± 0.25	.X*± 1.0'	CHK. Y.L	PART NO.
.XXX± 0.15	.XX*± 0.5'	DRA. Y.L	PROJ.  UNITS: MM SCALE: 1:1 SHEET. 1/1
		CUSTOMER DRAWING	