

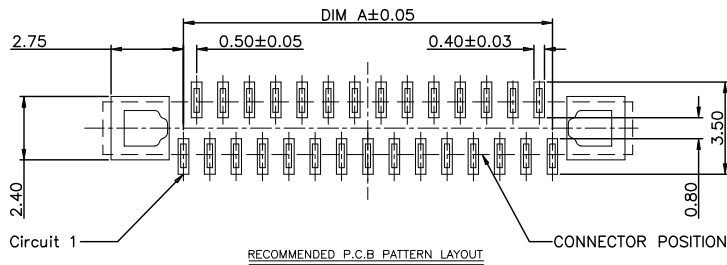
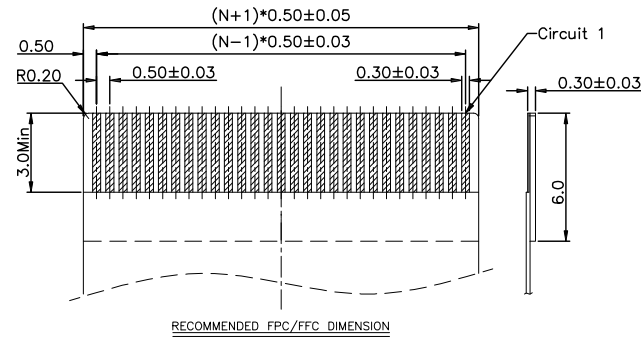
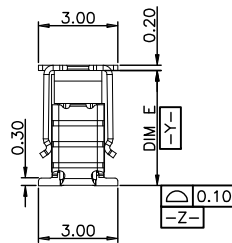
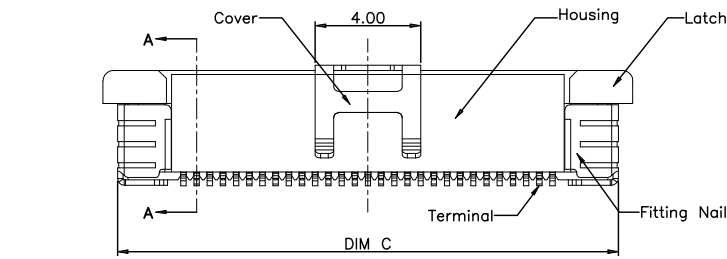
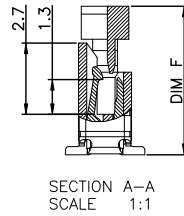
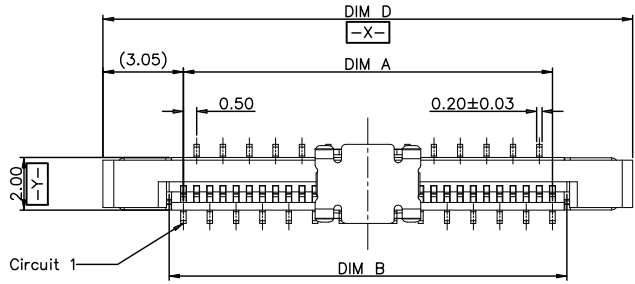


Note:

Electrical Characteristics:
 Current rating: 0.4A AC/DC
 Voltage rating: 50V AC/DC
 Temperature range: -25°C~+85°C
 Withstand Voltage: 200V AC/Minute
 Contact Resistance: 20mΩ
 Insulation resistance: 500 MΩ
 Relative Humidity: 93%+40°C

- Material:
 - Housing: thermoplastic high temp.UL94V-0; Color: natural.
 - Latch: thermoplastic high temp.UL94V-0; Color: black.
 - Terminal: copper alloy.
 - Fitting Nail: copper alloy.
 - Cover: Stainless steel.
- Finish:
 - Terminal: Underplating: Au/matt Tin overall.
 - Fitting Nail: Underplating: matt Tin overall.

| PIN | DIM A | DIM B | DIM C | DIM D | DIM E | DIM F |
|-----|-------|-------|-------|-------|-------|-------|
| 4P | 1.50 | 2.60 | 6.50 | 7.60 | | |
| 5P | 2.00 | 3.10 | 7.00 | 8.10 | | |
| 6P | 2.50 | 3.60 | 7.50 | 8.60 | | |
| 7P | 3.00 | 4.10 | 8.00 | 9.10 | | |
| 8P | 3.50 | 4.60 | 8.50 | 9.60 | | |
| 9P | 4.00 | 5.10 | 9.00 | 10.10 | | |
| 10P | 4.50 | 5.60 | 9.50 | 10.60 | | |
| 11P | 5.00 | 6.10 | 10.00 | 11.10 | | |
| 12P | 5.50 | 6.60 | 10.50 | 11.60 | | |
| 13P | 6.00 | 7.10 | 11.00 | 12.10 | | |
| 14P | 6.50 | 7.60 | 11.50 | 12.60 | | |
| 15P | 7.00 | 8.10 | 12.00 | 13.10 | | |
| 16P | 7.50 | 8.60 | 12.50 | 13.60 | | |
| 17P | 8.00 | 9.10 | 13.00 | 14.10 | | |
| 18P | 8.50 | 9.60 | 13.50 | 14.60 | 4.40 | 5.65 |
| 19P | 9.00 | 10.10 | 14.00 | 15.10 | | |
| 20P | 9.50 | 10.60 | 14.50 | 15.60 | | |
| 21P | 10.00 | 11.10 | 15.00 | 16.10 | | |
| 22P | 10.50 | 11.60 | 15.50 | 16.60 | | |
| 23P | 11.00 | 12.10 | 16.00 | 17.10 | | |
| 24P | 11.50 | 12.60 | 16.50 | 17.60 | | |
| 25P | 12.00 | 13.10 | 17.00 | 18.10 | | |
| 26P | 12.50 | 13.60 | 17.50 | 18.60 | | |
| 27P | 13.00 | 14.10 | 18.00 | 19.10 | | |
| 28P | 13.50 | 14.60 | 18.50 | 19.60 | | |
| 29P | 14.00 | 15.10 | 19.00 | 20.10 | | |
| 30P | 14.50 | 15.60 | 19.50 | 20.60 | | |
| 31P | 15.00 | 16.10 | 20.00 | 21.10 | | |
| 32P | 15.50 | 16.60 | 20.50 | 21.60 | | |
| 33P | 16.00 | 17.10 | 21.00 | 22.10 | | |
| 34P | 16.50 | 17.60 | 21.50 | 22.60 | | |
| 35P | 17.00 | 18.10 | 22.00 | 23.10 | | |
| 36P | 17.50 | 18.60 | 22.50 | 23.60 | 4.95 | 6.20 |
| 37P | 18.00 | 19.10 | 23.00 | 24.10 | | |
| 38P | 18.50 | 19.60 | 23.50 | 24.60 | | |
| 39P | 19.00 | 20.10 | 24.00 | 25.10 | | |
| 40P | 19.50 | 20.60 | 24.50 | 25.60 | | |
| 41P | 20.00 | 21.10 | 25.00 | 26.10 | | |
| 42P | 20.50 | 21.60 | 25.50 | 26.60 | | |
| 43P | 21.00 | 22.10 | 26.00 | 27.10 | | |
| 44P | 21.50 | 22.60 | 26.50 | 27.60 | | |
| 45P | 22.00 | 23.10 | 27.00 | 28.10 | | |
| 46P | 22.50 | 23.60 | 27.50 | 28.60 | | |
| 47P | 23.00 | 24.10 | 28.00 | 29.10 | | |
| 48P | 23.50 | 24.60 | 28.50 | 29.60 | | |
| 49P | 24.00 | 25.10 | 29.00 | 30.10 | | |
| 50P | 24.50 | 25.60 | 29.50 | 30.60 | | |
| 51P | 25.00 | 26.10 | 30.00 | 31.10 | | |
| 52P | 25.50 | 26.60 | 30.50 | 31.60 | | |
| 53P | 26.00 | 27.10 | 31.00 | 32.10 | | |
| 54P | 26.50 | 27.60 | 31.50 | 32.60 | | |
| 55P | 27.00 | 28.10 | 32.00 | 33.10 | | |
| 56P | 27.50 | 28.60 | 32.50 | 33.60 | | |
| 57P | 28.00 | 29.10 | 33.00 | 34.10 | | |
| 58P | 28.50 | 29.60 | 33.50 | 34.60 | | |
| 59P | 29.00 | 30.10 | 34.00 | 35.10 | | |
| 60P | 29.50 | 30.60 | 34.50 | 35.60 | | |



FP 050-020-OXX-WVS-MG-F-X-LTZ-000
 FPC 间距0.5MM
 塑胶高度: 020:2.0MM
 PIN数: 004:4PIN, 005:5PIN, ... 060:60PIN
 180° SMT
 流水号
 立贴正脚
 包装: T: 管装, R: 卷装
 F:LCP
 MG: 雾锡半金

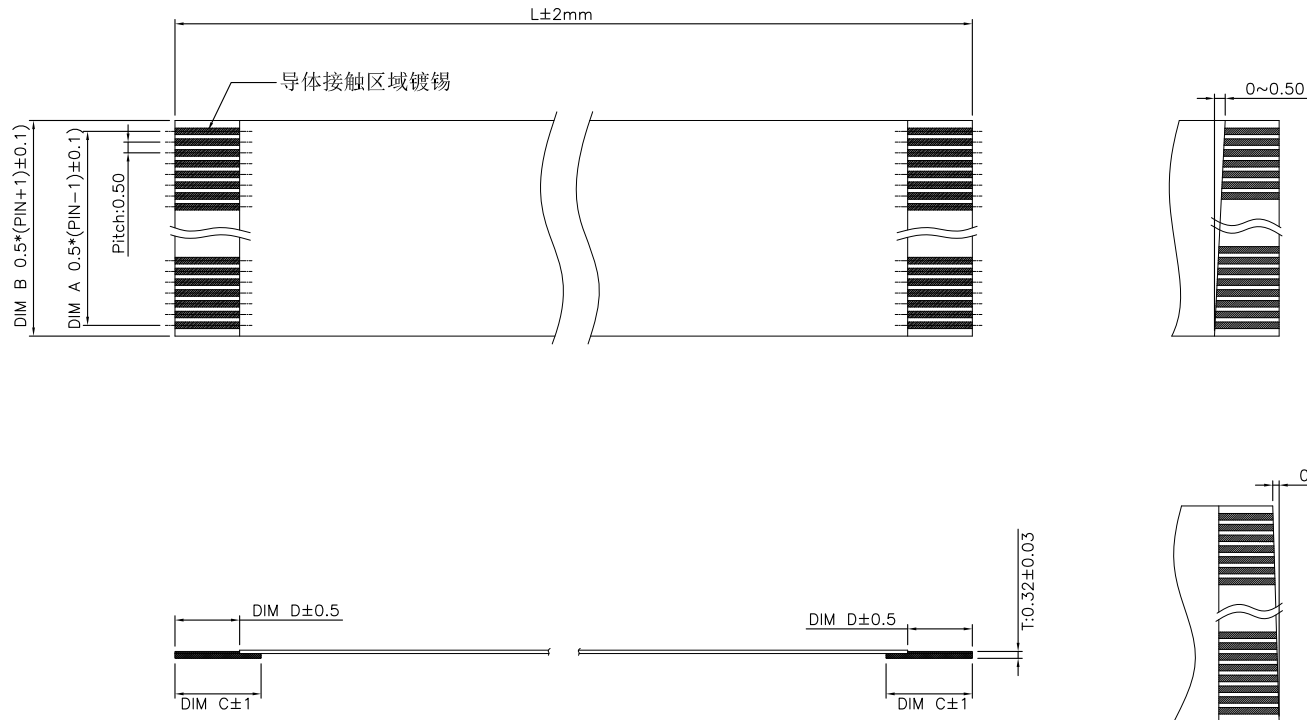
TOLERANCE UNLESS OTHERWISE SPECIFIED
BZOC 东莞市柏洲电子有限公司
 Dongguan Bzoc Electronics, Ltd

| | | | |
|------------|------------|------------------|--------------------------------|
| .X± 0.35 | X.*± 1.5' | APR. AX.T | TITLE: 0.5MM FPC 立贴正脚 W3.0 带焊片 |
| .XX± 0.25 | .X*± 1.0' | CHK. Y.L | PART NO. |
| .XXX± 0.15 | .XX*± 0.5' | DRA. Y.L | PROJ. |
| | | UNITS. MM | SCALE: 1:1 |
| | | CUSTOMER DRAWING | |
| | | SHEET. 1 / 1 | |

| | | | |
|------|---------------|------|------------|
| A0 | FIRST RELEASE | Y.L | 2019.06.21 |
| REV. | ECN. NO. | APR. | DATE |



RoHS
Compliant



| STRUCTURE(结构) | | |
|---------------|-----------------------------|------------------------------|
| No. | ITEM (项目) | SPECIFICATION (规格) |
| 1 | INSULATION (胶膜) | UL |
| | | WHITE(白色) |
| 2 | SUPPORTING TAPE (补强板) | BLUE(蓝色) |
| 3 | CONDUCTOR (导体) | THICKNESS (厚度) 0.035±0.005mm |
| | | WIDTH (宽度) 0.30±0.03mm |
| 4 | CONDUCTOR PLATING (导体镀层) | PLATED(电镀 Sn(锡) 40u") |

| DIMENSION(尺寸) | | |
|---------------|-----------------------------------|----------------------|
| 1 | No. of conductors (导体数目) | N |
| 2 | Pitch (间距) | Pitch: 0.5mm±0.08 |
| 3 | Span (总间距) | DIM A: 0.5mm*(PIN-1) |
| 4 | Width(总宽度) | DIM B: 0.5mm*(PIN+1) |
| 5 | Insert Thickness (接线端厚度) | T: 0.32mm±0.03 |
| 6 | Strip Length (导体长度) | DIM D: 3mm |
| 7 | Supporting Tape Length (补强板长度) | DIM C: 4mm |

FF 050-XXX-T-34-100-WE-0-P-000

FFC排线
 间距: 050: 0.5mm
 PIN数: 004: 4PIN
 005: 5PIN

 T: 两端导体同面
 34: 导体长度3mm/补强板长度4mm

流水号
 P: 袋装
 0: 不包布
 绝缘胶膜颜色:
 WE: 白色

总长度:
 100: L: 100mm
 长度可定制

| | | | | | |
|--------------------------------------|---------------|--------------|---------------------------|---|------------|
| TOLERANCE UNLESS OTHERWISE SPECIFIED | | | | BZOOC 东莞市柏洲电子有限公司 Dongguan BzooC Electronics, Ltd | |
| .X± 0.35 | X.'± 1.5' | APR. AX.T | TITLE: 0.5FFC排线 同向 3/4 白膜 | | |
| .XX± 0.25 | .X'± 1.0' | CHK. Y.L | PART NO. | | |
| .XXX± 0.15 | .XX'± 0.5' | DRA. Y.L | PROJ. | UNITS. MM | SCALE: 1:1 |
| REV. | ECN. NO. | APR. | DATE | CUSTOMER DRAWING | |
| A0 | FIRST RELEASE | Y.L | 2019.06.21 | SHEET. 1 / 1 | |



1 2 3 4 5 6 7 8

A

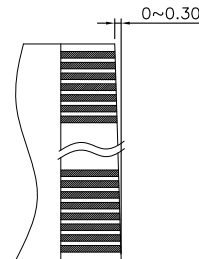
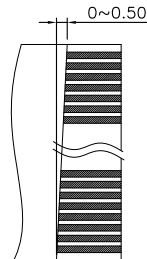
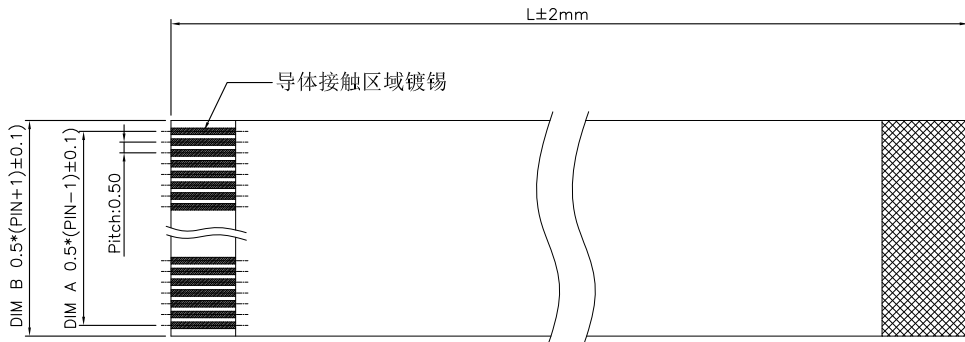
B

C

D

E

F



| STRUCTURE(结构) | | |
|---------------|--------------------------|------------------------------|
| No. | ITEM (项目) | SPECICATION (规格) |
| 1 | INSULATION (胶膜) | UL |
| | | WHITE(白色) |
| 2 | SUPPORTING TAPE (补强板) | BLUE(蓝色) |
| 3 | CONDUCTOR (导体) | THICKNESS (厚度) 0.035±0.005mm |
| | | WIDTH (宽度) 0.30±0.03mm |
| 4 | CONDUCTOR PLATING (导体镀层) | PLATED(电镀 Sn(锡) 40u") |

| DIMENSION(尺寸) | | |
|---------------|--------------------------------|---------------------|
| 1 | No. of conductors (导体数目) | N |
| 2 | Pitch (间距) | Pitch:0.5mm±0.08 |
| 3 | Span (总间距) | DIM A:0.5mm*(PIN-1) |
| 4 | Width(总宽度) | DIM B:0.5mm*(PIN+1) |
| 5 | Insert Thickness (接线端厚度) | T:0.32mm±0.03 |
| 6 | Strip Length (导体长度) | DIM D:3mm |
| 7 | Supporting Tape Length (补强板长度) | DIM C:4mm |

FF 050-XXX-F-34-100-WE-0-P-000

FFC排线
 间距: 050:0.5mm
 PIN数: 004:4PIN
 005:5PIN

 F:两端导体反面
 34:导体长度3mm/补强板长度4mm

流水号
 P:袋装
 0:不包布
 绝缘胶膜颜色:
 WE:白色

总长度:
 100:L:100mm
 长度定制

| | | | | | |
|--------------------------------------|---------------|-----------|---------------------------|---|------------|
| TOLERANCE UNLESS OTHERWISE SPECIFIED | | | | BZOOC 东莞市柏洲电子有限公司 Dongguan BzooC Electronics, Ltd | |
| .X± 0.35 | X.'± 1.5' | APR. AX.T | TITLE: 0.5FFC排线 反向 3/4 白膜 | | |
| .XX± 0.25 | .X'± 1.0' | CHK. Y.L | PART NO. | | |
| .XXX± 0.15 | .XX'± 0.5' | DRA. Y.L | PROJ. | UNITS. MM | SCALE. 1:1 |
| REV. | ECN. NO. | APR. | DATE | CUSTOMER DRAWING | |
| A0 | FIRST RELEASE | Y.L | 2019.06.21 | SHEET. 1 / 1 | |

1 2 3 4 5 6 7 8

A

B

C

D

E

F