

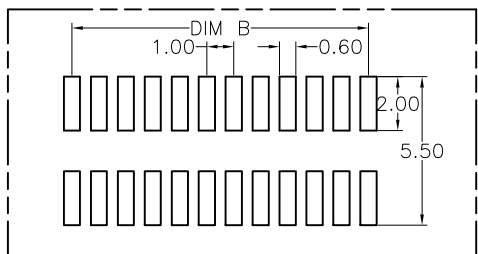


**Note:**

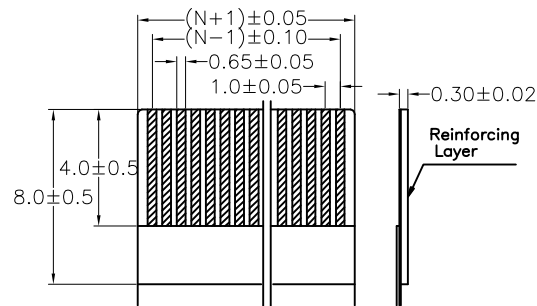
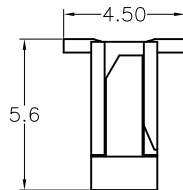
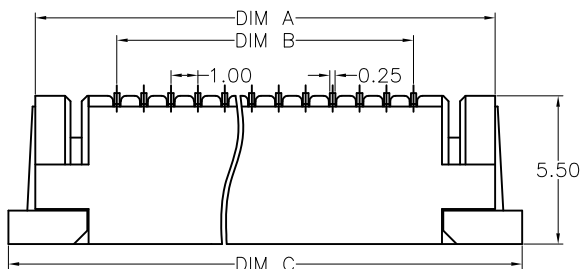
**Electrical Characteristics:**  
 Current rating: 0.5A AC/DC  
 Voltage rating: 50V AC/DC  
 Temperature range: -25°C~+85°C  
 Withstand Voltage: 200V AC/Minute  
 Contact Resistance: 20mΩ  
 Insulation resistance: 500 MΩ  
 Relative Humidity: 93%+40°C

**Note:**

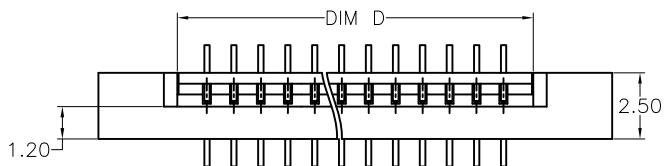
- Material:**
  - Housing: thermoplastic high temp.UL94V-0; Color: natural.
  - Latch: thermoplastic high temp.UL94V-0; Color: black.
  - Terminal: copper alloy.
  - Fitting Nail: copper alloy.
- Finish:**
  - Terminal:**  
Underplating: Au/matt Tin overall.
  - Fitting Nail:**  
Underplating: matt Tin overall.
- Product must comply HF RoHS specification.**



**RECOMMENDED P.C.B. PATTERN LAYOUT**



**RECOMMENDED FFC/FPC DIM.**



PIN数	DIM A	DIM B	DIM C	DIM D
4P	9.00	3.00	11.00	5.10
5P	10.00	4.00	12.00	6.10
6P	11.00	5.00	13.00	7.10
7P	12.00	6.00	14.00	8.10
8P	13.00	7.00	15.00	9.10
9P	14.00	8.00	16.00	10.10
10P	15.00	9.00	17.00	11.10
11P	16.00	10.00	18.00	12.10
12P	17.00	11.00	19.00	13.10
13P	18.00	12.00	20.00	14.10
14P	19.00	13.00	21.00	15.10
15P	20.00	14.00	22.00	16.10
16P	21.00	15.00	23.00	17.10
17P	22.00	16.00	24.00	18.10
18P	23.00	17.00	25.00	19.10
19P	24.00	18.00	26.00	20.10
20P	25.00	19.00	27.00	21.10
21P	26.00	20.00	28.00	22.10
22P	27.00	21.00	29.00	23.10
23P	28.00	22.00	30.00	24.10
24P	29.00	23.00	31.00	25.10
25P	30.00	24.00	32.00	26.10
26P	31.00	25.00	33.00	27.10
27P	32.00	26.00	34.00	28.10
28P	33.00	27.00	35.00	29.10
29P	34.00	28.00	36.00	30.10
30P	35.00	29.00	37.00	31.10
31P	36.00	30.00	38.00	32.10
32P	37.00	31.00	39.00	33.10
33P	38.00	32.00	40.00	34.10
34P	39.00	33.00	41.00	35.10
35P	40.00	34.00	42.00	36.10
36P	41.00	35.00	43.00	37.10
37P	42.00	36.00	44.00	38.10
38P	43.00	37.00	45.00	39.10
39P	44.00	38.00	46.00	40.10
40P	45.00	39.00	47.00	41.10

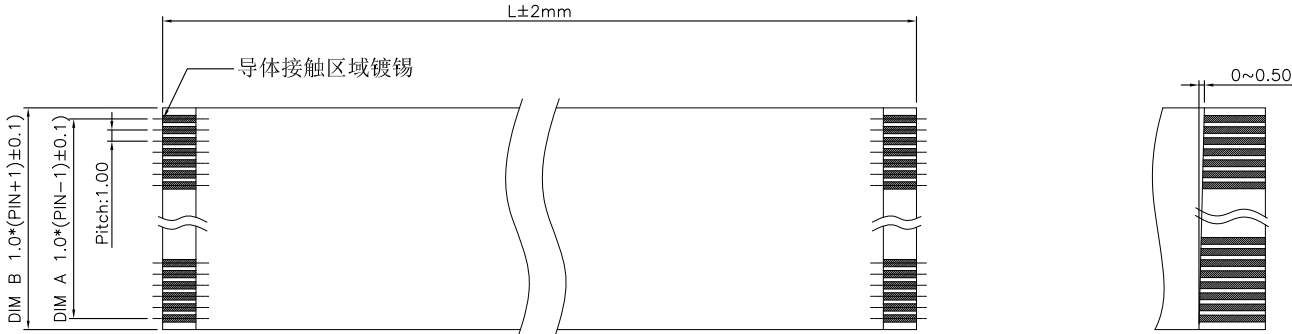
FP 100-025-0XX-WVS-MT-F-X-LTY-000  
 FPC 流水号  
 间距1.0MM 立贴一字脚  
 塑胶高度: 025:2.5MM 包装:  
 T: 管装  
 R: 卷装  
 PIN数:  
 004:4PIN  
 005:5PIN  
 .....  
 030:30PIN  
 180°-SMT  
 F:LCP  
 MT:剪锡

TOLERANCE UNLESS OTHERWISE SPECIFIED		<b>BZOC</b> 东莞市柏洲电子有限公司 Dongguan Bzoc Electronics, Ltd	
.X± 0.35	X.*± 1.5'	APR. AX.T	TITLE: 1.0FPC 立贴一字脚
.XX± 0.25	.X.*± 1.0'	CHK. Y.L	PART NO.
.XXX± 0.15	.XX.*± 0.5'	DRA. Y.L	PROJ.
A0	FIRST RELEASE	Y.L	2019.06.21
REV.	ECN. NO.	APR.	DATE
		UNITS. MM	SCALE: 1:1
		CUSTOMER DRAWING	
		SHEET. 1 / 1	

A0	FIRST RELEASE	Y.L	2019.06.21
REV.	ECN. NO.	APR.	DATE

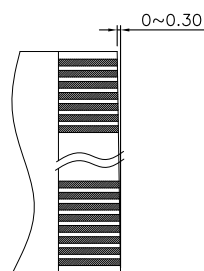
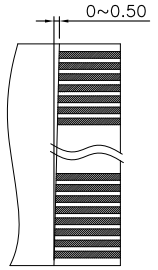
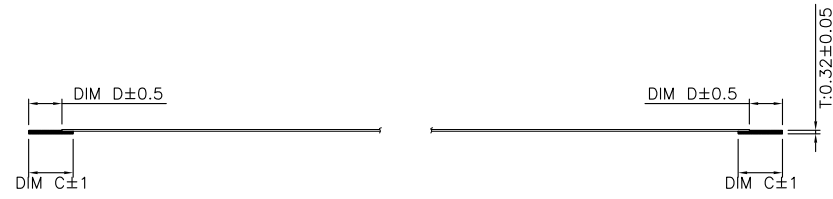


RoHS  
Compliant



STRUCTURE(结构)		
No.	ITEM (项目)	SPECICATION (规格)
1	INSULATION (胶膜)	UL
		WHITE(白色)
2	SUPPORTING TAPE (补强板)	BLUE(蓝色)
3	CONDUCTOR (导体)	THICKNESS (厚度) $0.035 \pm 0.005\text{mm}$
		WIDTH (宽度) $0.65 \pm 0.03\text{mm}$
4	CONDUCTOR PLATING (导体镀层)	PLATED(电镀 Sn(锡) 40u")

DIMENSION(尺寸)		
1	No. of conductors (导体数目)	N
2	Pitch (间距)	Pitch: $1.0\text{mm} \pm 0.1$
3	Span (总间距)	DIM A: $1.0\text{mm} * (\text{PIN} - 1)$
4	Width (总宽度)	DIM B: $1.0\text{mm} * (\text{PIN} + 1)$
5	Insert Thickness (接线端厚度)	T: $0.32\text{mm} \pm 0.05$
6	Strip Length (导体长度)	DIM D: $3\text{mm}$
7	Supporting Tape Length (补强板长度)	DIM C: $4\text{mm}$



FF 100-XXX-T-34-100-WE-0-P-000

FFC排线

间距: 100: 1.0mm

PIN数: 004: 4PIN  
005: 5PIN  
.....

T: 两端导体同面

34: 导体长度3mm/补强板长度4mm

流水号

P: 袋装

0: 不包布

绝缘胶膜颜色: WE: 白色

总长度: 100:L: 100mm (可定制)

TOLERANCE UNLESS OTHERWISE SPECIFIED				<b>BZOOC</b> 东莞市柏洲电子有限公司 Dongguan BzooC Electronics, Ltd	
.X± 0.35	X.*± 1.5'	APR. AX.T	TITLE: 1.0FFC排线 同向 3/4 白膜		
.XX± 0.25	.X.*± 1.0'	CHK. Y.L	PART NO.		
.XXX± 0.15	.XX.*± 0.5'	DRA. Y.L	PROJ.	UNITS: MM	SCALE: 1:1
REV.	ECN. NO.	APR.	DATE	CUSTOMER DRAWING	
A0	FIRST RELEASE	Y.L	2019.06.21	SHEET. 1 / 1	

REV.	ECN. NO.	APR.	DATE
A0	FIRST RELEASE	Y.L	2019.06.21



1 2 3 4 5 6 7 8

A

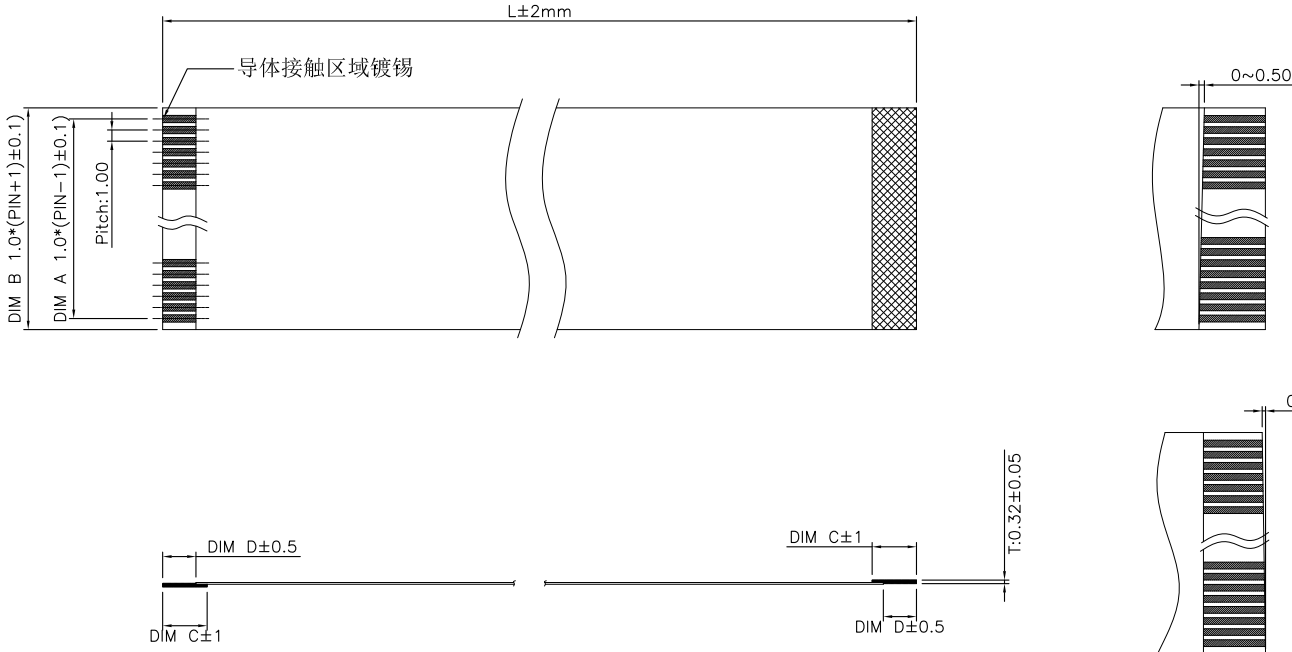
B

C

D

E

F



STRUCTURE(结构)		
No.	ITEM (项目)	SPECICATION (规格)
1	INSULATION (胶膜)	UL
		WHITE(白色)
2	SUPPORTING TAPE (补强板)	BLUE(蓝色)
3	CONDUCTOR (导体)	THICKNESS (厚度) 0.035±0.005mm
		WIDTH (宽度) 0.65±0.03mm
4	CONDUCTOR PLATING (导体镀层)	PLATED(电镀 Sn(锡) 40u")

DIMENSION(尺寸)		
1	No.of conductors (导体数目)	N
2	Pitch (间距)	Pitch:1.0mm±0.1
3	Span (总间距)	DIM A:1.0mm*(PIN-1)
4	Width(总宽度)	DIM B:1.0mm*(PIN+1)
5	Insert Thickness (接线端厚度)	T:0.32mm±0.05
6	Strip Length (导体长度)	DIM D:3mm
7	Supporting Tape Length (补强板长度)	DIM C:4mm

FF 100-XXX-F-34-100-WE-0-P-000

FFC排线 流水号  
 间距: 100:1.0mm P:袋装  
 PIN数: 004:4PIN 0:不包布  
 005:5PIN ..... 绝缘胶膜颜色:  
 F:两端导体反面 WE:白色  
 34:导体长度3mm/补强板长度4mm 总长度: 100:L:100mm (可定制)

TOLERANCE UNLESS OTHERWISE SPECIFIED				<b>BZOOC</b> 东莞市柏洲电子有限公司 Dongguan BzooC Electronics, Ltd	
.X± 0.35	X.*± 1.5'	APR. AX.T	TITLE: 1.0FFC排线 反向 3/4 白膜		
.XX± 0.25	.X*± 1.0'	CHK. Y.L	PART NO.		
.XXX± 0.15	.XX*± 0.5'	DRA. Y.L	PROJ.	UNITS. MM	SCALE. 1:1
REV.	ECN. NO.	APR.	DATE	CUSTOMER DRAWING	
A0	FIRST RELEASE	Y.L	2019.06.21	SHEET. 1 / 1	

1 2 3 4 5 6 7 8

A

B

C

D

E

F