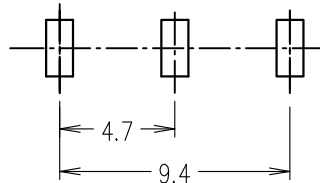
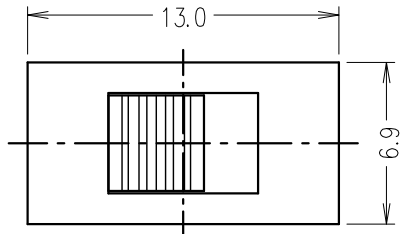


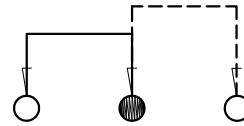


技术参数:

1. 额定电流: 1A
2. 额定电压: 30V DC
3. 接触阻抗: 30mΩ MAX
4. 绝缘阻抗: 100MΩ MIN
5. 耐电压: AV 250V 50Hz 1Min
6. 操作力: 250±100gf
7. 操作位置: 2.1±0.30mm

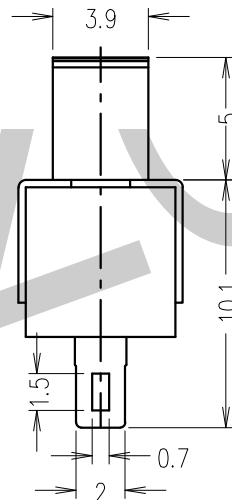
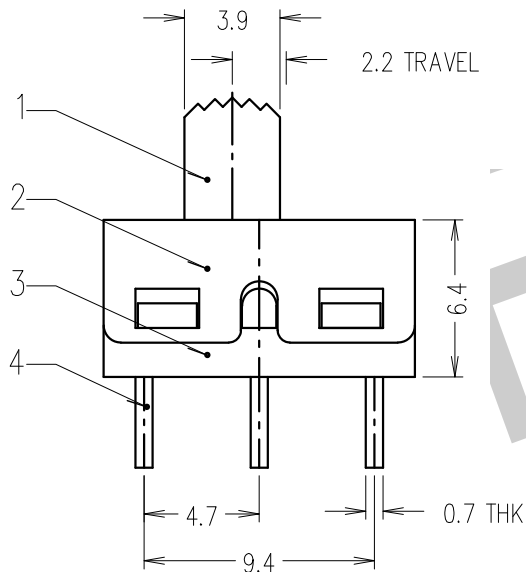


P.C.B LAYOUT  
BOTTOM VIEW



SCHEMATIC (NON-SHORTING)

NO.	PARTS	MATERIALS	Q'TY	FINISH
7	STEEL BALL	STEEL	1	NATURAL
6	SPRING	STEEL WIRE	1	NATURAL
5	CONTACT	BRASS STRIP	1	Ag PLATED
4	TERMINAL	BRASS STRIP	3	Ag PLATED
3	CASE	PA9T	1	RED
2	COVER	SUS	1	NATURAL
1	KNOB	PA9T	1	BLACK



SW BD-050-003-WV-AG-E-P-000  
 开关 BD: 拨动 柄长: 5mm 003: 3PIN 180度  
 Serial No. 包装方式 P: 袋装 塑胶材质 E: PA9T 电镀: AG: 镀银

TOLERANCE UNLESS OTHERWISE SPECIFIED				东莞市柏洲电子有限公司 Dongguan BzooC Electronics, Ltd	
.X± 0.35	X.*± 1.5*	APR. AX.T	TITLE: 拨动开关 12.7*6.6*6.4 柄长5mm 3脚 DIP		
.XX± 0.25	.X*± 1.0*	CHK. Y.L	PART NO.		
.XXX± 0.15	.XX*± 0.5*	DRA. Y.L	PROJ.	UNITS. MM SCALE: 1:1	SHEET. 1 / 1
CUSTOMER DRAWING					

A0	FIRST RELEASE	Y.L	2019.06.21
REV.	ECN. NO.	APR.	DATE