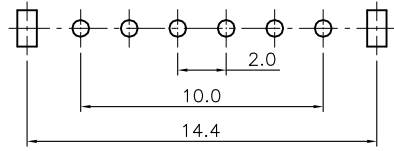
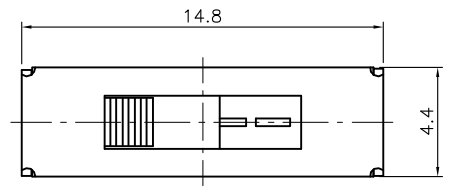
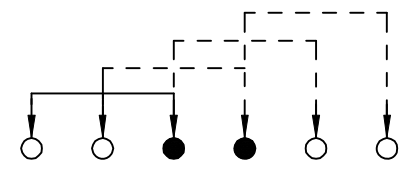




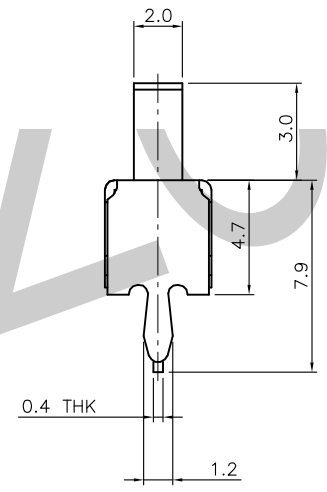
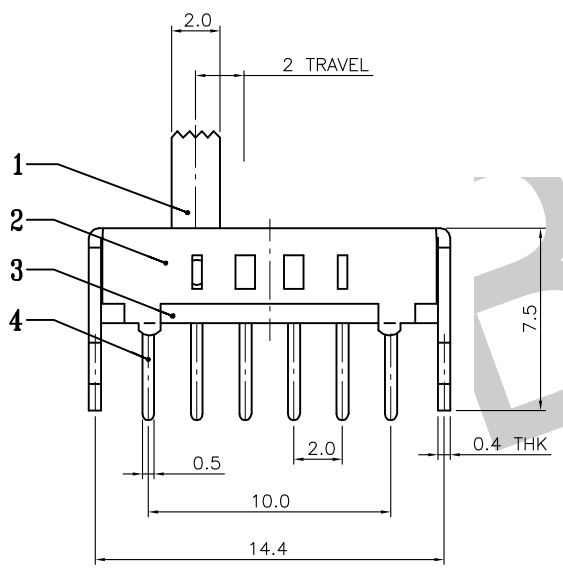
技术参数:  
 1. 额定电流: 1A  
 2. 额定电压: 30V DC  
 3. 接触阻抗: 30mΩ MAX  
 4. 绝缘阻抗: 100MΩ MIN  
 5. 耐电压: AV 250V 50Hz 1Min



**P.C.B LAYOUT  
BOTTOM VIEW**



**SCHEMATIC (SHORTING)**



SW BD-030-008-WV-AG-I-P-000  
 开关  
 BD: 拨动  
 柄长: 3mm  
 008: 8PIN  
 180度  
 Serial No.  
 包装方式  
 P: 袋装  
 塑胶材质  
 I: PF  
 电镀:  
 AG: 镀银

6	SPRING PLATE	PBS STRIP	1	NATURAL
5	CONTACT CLIP	PBS C5210R-EH	1	Au CLAD
4	TERMINAL	BRASS STRIP	6	Ag PLATED OVER Ni PLATED
3	BASE	PHENOLIC RESIN	1	NATURAL
2	FRAME	STEEL STRIP	1	Ni PLATED
1	KNOB	POM	1	BLACK
NO.	PARTS	MATERIALS	Q'TY	FINISH

A0	FIRST RELEASE	Y.L	2019.06.21
REV.	ECN. NO.	APR.	DATE

TOLERANCE UNLESS OTHERWISE SPECIFIED

**BZOO** 东莞市柏洲电子有限公司  
Dongguan Bzoo Electronics, Ltd

.X± 0.35	X.*± 1.5'	APR. AX.T	TITLE: 拨动开关 14.8*4.4*7.9 柄长3mm 6脚
.XX± 0.25	.X*± 1.0'	CHK. Y.L	PART NO.
.XXX± 0.15	.XX*± 0.5'	DRA. Y.L	PROJ.  UNITS. MM SCALE: 1:1 SHEET. 1 / 1

CUSTOMER DRAWING