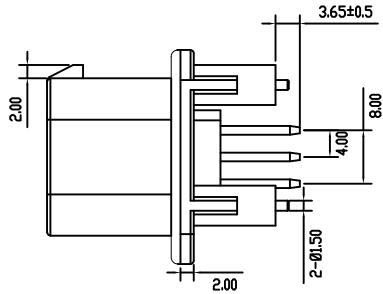
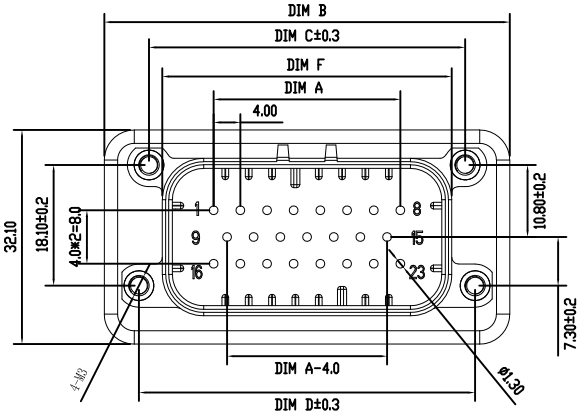
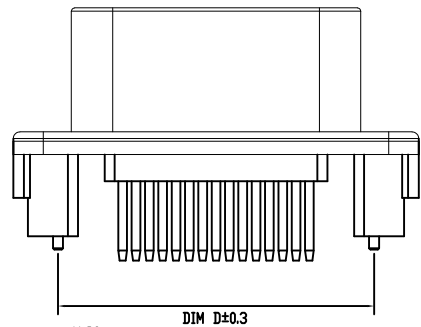


ITEM	DESCRIPTION	QUANTITY	MATERIAL
1	HOUSING	1	PBT BLACK GF30
2	TERMINAL	N	BRASS
3	GASKET	1	SILICONE
4	NUT	4	BRASS

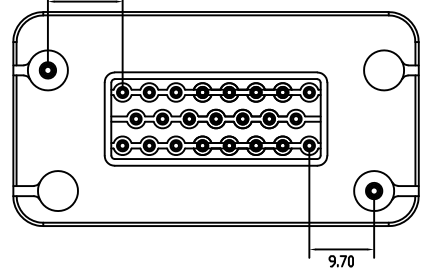
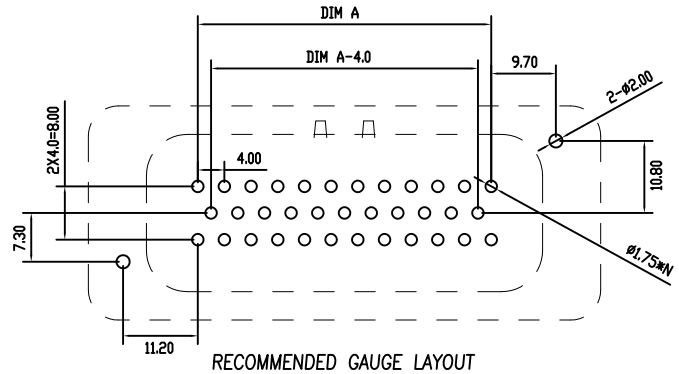
NOTES
 1.MATERIALS: SEE BELOW TABLE
 2.ELECTRICAL CHARACTERISTICS:
 2-1.CONTACT RESISTANCE: 20m2 MAX
 2-2.CONTACT CURRENT RATING: 8A.
 2-3.DIELECTRIC WITHSTANDING VDLTAGE: 500V AC.
 2-4.INSULATION RESISTANCE: 100 MEGDHMS MIN
 2-5DPERATING TEMPEROTURE: -40C ~105C.
 3.MECHANICAL CHARACTERISTICS
 3-1.MATING FDRCE: 180N MAX
 3-2.UNMATING FORCE:100N MAX
 3-3.DURABILITY:10 CYCLES.
 3-4.RETENTIDN FORCE:50N MIN.
 4.RECOMMENED PROCESS: WAVE-SOLDERING
 5.DIMENSIDN MARKEDIS QIP (QUALITY IMPROVEMENT PROGRAMME)
 DIMENSION, MUST BE CONTROLLED AND RE-CHECKED IN ANY TOOLING CHANGE
 6.THE CONNECTOR IS ROHS COMPLIANT
 7.PART NO.:



W 400-010-OXX-WV-XX-A-D-XX-1-000
 WAFER
 PITCH: 4.00MM
 WAFER TYPE: 1
 0: UL94V-0
 PIN数:
 035=35P
 023=12P
 014=14P
 008=8P
 180° S/T
 SN: Tin Plating
 GF: Gold Plating
 A: PBT
 PACKING: BOX
 1. With Nut
 BK: BLACK
 WE: WHITE
 GR: GRAY
 OR: ORANGE
 BL: BLUE

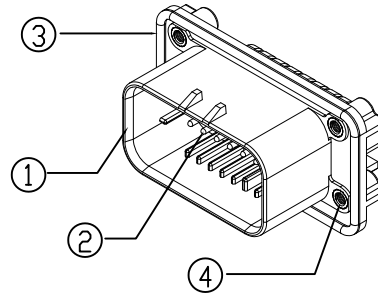
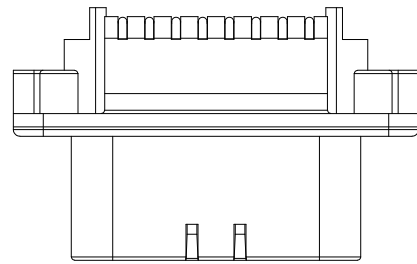


DIM PIN	DIM A	DIM B	DIM C	DIM D	DIM F	DIM G
8P	8.00	40.80	27.40	30.40	23.40	21.80
14P	16.00	48.80	35.40	38.40	31.40	29.80
23P	28.00	60.80	47.40	50.40	43.40	41.80
35P	44.00	76.80	63.40	66.40	59.40	57.80



A0	FIRST RELEASE	Y.L	2023.03.20
REV.	ECN. NO.	APR.	DATE

TOLERANCE UNLESS OTHERWISE SPECIFIED		东莞市柏洲电子有限公司 DONG GUAN BZOOOC ELECTRONICS.,LTD	
.X± 0.35	X.*± 1.5*	APR. AX.T	TITLE: W400-01 4.00MM EUC 180°
.XX± 0.25	.X.*± 1.0*	CHK. Y.L	PART NO.
.XXX± 0.15	.XX.*± 0.5*	DRA. Y.L	PROJ. UNITS. MM SCALE: 1:1 CUSTOMER DRAWING SHEET. 1 / 2



ITEM	DESCRIPTION	QUANTITY	MATERIAL
1	HOUSING	1	PBT BLACK
2	TERMINAL	N	BRASS
3	GASKET	1	SILICONE
4	NUT	4	BRASS

NOTES

- 1.MATERIALS: SEE BELOW TABLE
- 2.ELECTRICAL CHARACTERISTICS:
2-1.CONTACT RESISTANCE: 20m Ω MAX
2-2.CONTACT CURRENT RATING: 8A.
2-3.DIELECTRIC WITHSTANDING VOLTAGE: 500V AC.
2-4.INSULATION RESISTANCE: 100 MEGDHMS MIN
2-5.OPERATING TEMPERATURE: -40C ~105C.
- 3.MECHANICAL CHARACTERISTICS
3-1.MATING FORCE: 180N MAX
3-2.UNMATING FORCE:100N MAX
3-3.DURABILITY:10 CYCLES.
3-4.RETENTIDN FORCE:50N MIN.
- 4.RECOMMENED PROCESS: WAVE-SOLDERING
- 5.DIMENSION MARKED IS QIP (QUALITY IMPROVEMENT PROGRAMME) DIMENSION, MUST BE CONTROLLED AND RE-CHECKED IN ANY TOOLING CHANGE
- 6.THE CONNECTOR IS ROHS COMPLIANT
- 7.PART NO.:

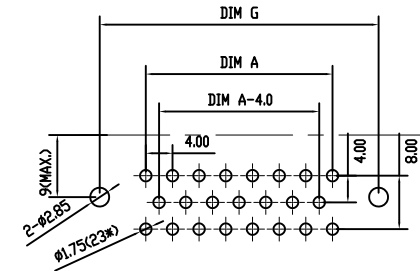
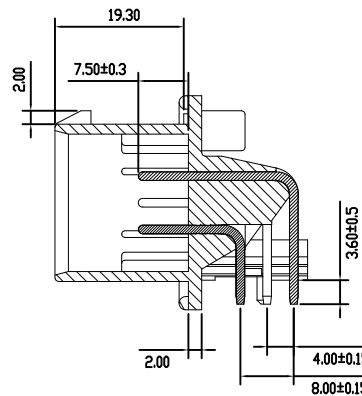
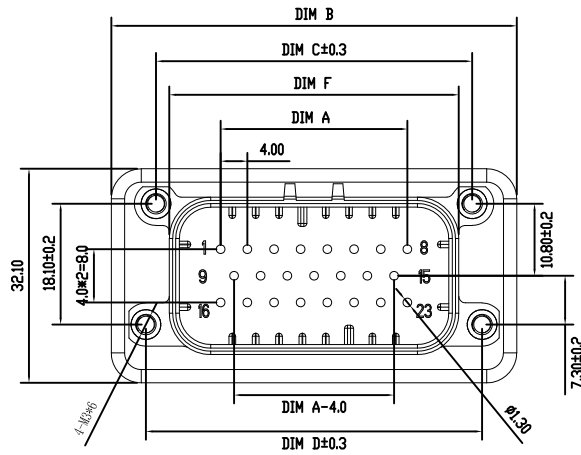
W 400-010-035-WR-XX-A-D-XX-1-000

WAFER
 PITCH: 4.00MM
 WAFER TYPE: 1
 0: UL94V-0
 PIN 数:
 035=35P
 023=12P
 014=14P
 008=8P

90° R/A
 SN: Tin Plating
 GF: Gold Plating

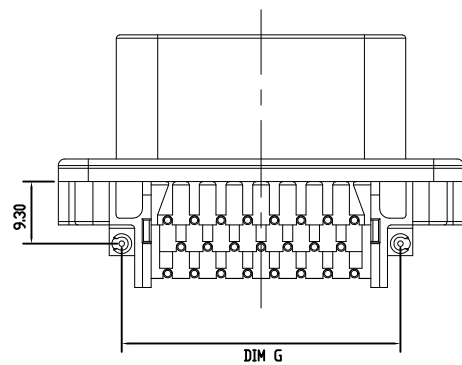
A: PBT
 PACKING: BOX

1. With Nut
 2. No Nut
 BK: BLACK
 WE: WHITE
 GR: GRAY
 OR: ORANGE
 BL: BLUE



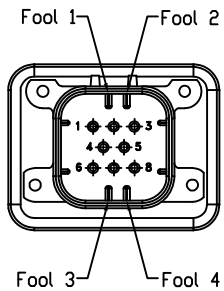
Recommended P.C.B Layout

DIM PIN	DIM A	DIM B	DIM C	DIM D	DIM F	DIM G
8P	8.00	40.80	27.40	30.40	23.40	21.80
14P	16.00	48.80	35.40	38.40	31.40	29.80
23P	28.00	60.80	47.40	50.40	43.40	41.80
35P	44.00	76.80	63.40	66.40	59.40	57.80



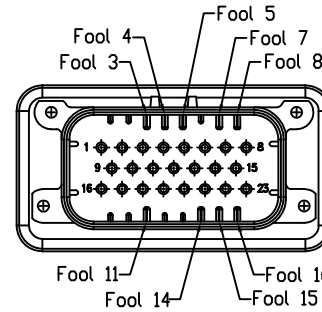
TOLERANCE UNLESS OTHERWISE SPECIFIED		东莞市柏洲电子有限公司 DONG GUAN BZOOOC ELECTRONICS.,LTD	
.X± 0.35	X'± 1.5'	APR. AX.T	TITLE: 4.00MM PITCH ASSEMBLY STRAIGHT AMPSEAL TYPE
.XX± 0.25	.X'± 1.0'	CHK. Y.L	PART NO.
.XXX± 0.15	.XX'± 0.5'	DRA. Y.L	PROJ. UNITS. MM SCALE: 1:1 CUSTOMER DRAWING SHEET. 1/2

A0	FIRST RELEASE	Y.L	2023.03.20
REV.	ECN. NO.	APR.	DATE



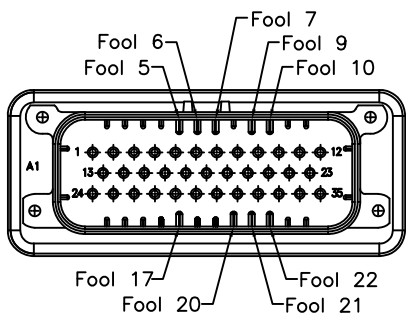
8P CONNECTOR
FOOL-PROOF LOCATIONS

1&3	WHITE
2&4	BLACK
Fool-Proof Location	Housing Color



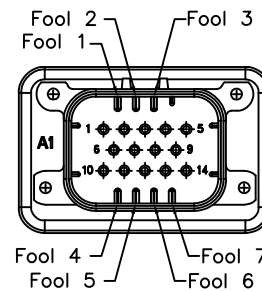
23P CONNECTOR
FOOL-PROOF LOCATIONS

3,8&16	Blue
7&15	Gray
5&11	White
4&14	Black
Fool-Proof Location	Housing Color



35P CONNECTOR
FOOL-PROOF LOCATIONS

7&22	Orange
9&21	Gray
7&17	White
5,11&21	Blue
6&20	Black
Fool-Proof Location	Housing Color



14P CONNECTOR
FOOL-PROOF LOCATIONS

3&5	Blue
2&8	Gray
1&6	White
3&7	Black
Fool-Proof Location	Housing Color

A0	FIRST RELEASE	Y.L	2019.06.21
REV.	ECN. NO.	APR.	DATE

TOLERANCE UNLESS OTHERWISE SPECIFIED		东莞市柏洲电子有限公司 DONG GUAN BZOOC ELECTRONICS.,LTD	
.X± 0.35	X.*± 1.5*	APR. AX.T	TITLE: 4.00MM PITCH ASSEMBLY STRAIGHT AMPSEAL TYPE
.XX± 0.25	.X.*± 1.0*	CHK. Y.L	PART NO.
.XXX± 0.15	.XX.*± 0.5*	DRA. Y.L	PROJ. UNITS. MM SCALE. 1:1 SHEET. 2/2 CUSTOMER DRAWING