



规格/Specifications:

额定电流/Current Rating:17.0 A AC/DC
 额定电压/Voltage Rating:250V AC/DC
 接触阻抗/Contact Resistance:20m ohm.Max.
 绝缘阻抗/Insulation Resistance:1000M ohm.Min.
 耐压值/Withstanding Voltage:500V AC/ Minute
 温度范围/Operating Temperature Range:-40°C To +105°C

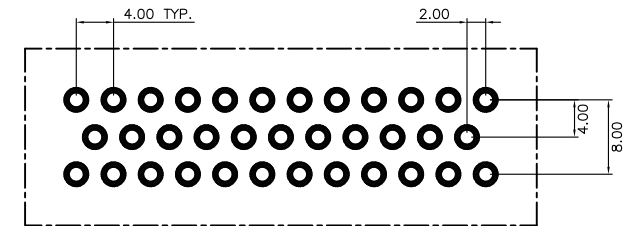
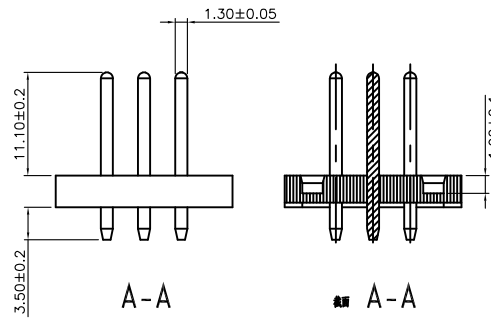
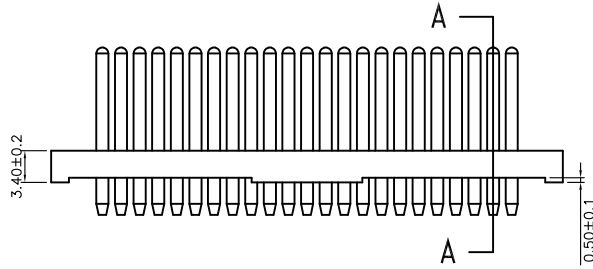
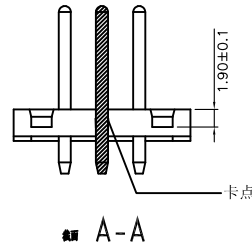
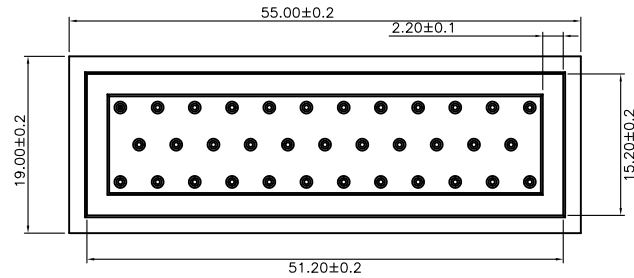
材料及处理/Materials and Finish:

绝缘材质/Insulator:Plastic (LCP UL94V-0)
 绝缘颜色/Insulator Color:Black
 金属材质/Contact:Copper Alloy
 金属处理/Metal Treatment:

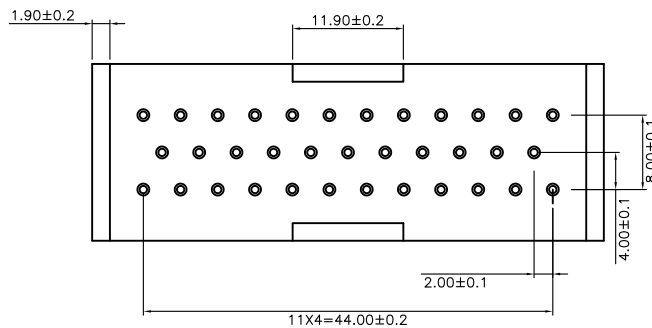
Bottom Nickel Plating 30u" Min
 Surface Gold Plating

料号编码/Part number:

P 400-034-035-WV-XX-F-D-180-035-110-000
 Pin Header PA:11.0mm
 Pitch:4.00mm W:3.5mm
 塑胶高度:3.40mm PIN L:18.0mm
 035:35P 包装方式: D:盒装
 180° 塑胶材质: F:LCP
 电镀:
 SN:亮锡
 GF:镀金



TOLERANCE: ±0.05,
 RECOMMENDED PCB LAYOUT
 (TOP VIEW)



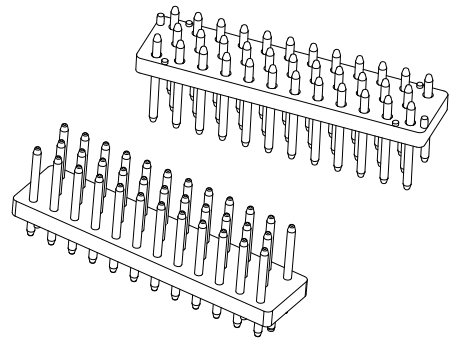
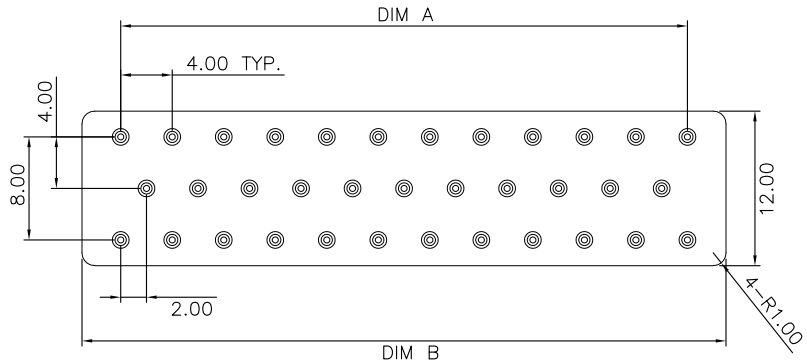
TOLERANCE UNLESS OTHERWISE SPECIFIED		BZOOC 东莞市柏洲电子有限公司 Dongguan Bzooc Electronics, Ltd	
.X± 0.1	X.'± 1.5'	APR. AX.T	TITLE: PH4.0*3.4*19.0 排针 SQ18.0/3.5 S/T Au LCP
.XX± 0.05	.X'± 1.0'	CHK. Y.L	PART NO.
.XXX± 0.03	.XX'± 0.5'	DRA. Y.L	PROJ.
		UNITS. MM	SCALE: 1:1
		CUSTOMER DRAWING	
		SHEET. 1 / 1	

A1	端子增加卡点	YJ	2022.01.10
A0	FIRST RELEASE	杨磊	2020.01.15
REV.	ECN. NO.	APR.	DATE



A
B
C
D
E
F

1 2 3 4 5 6 7 8

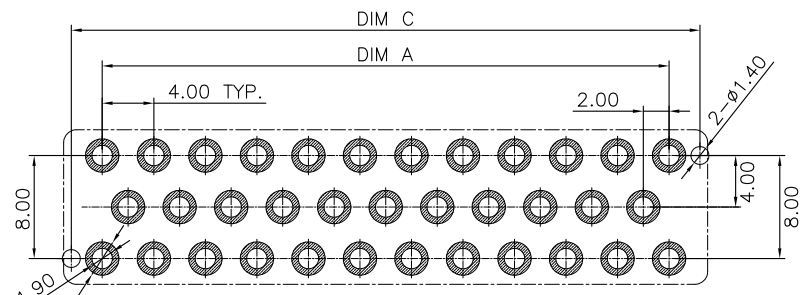
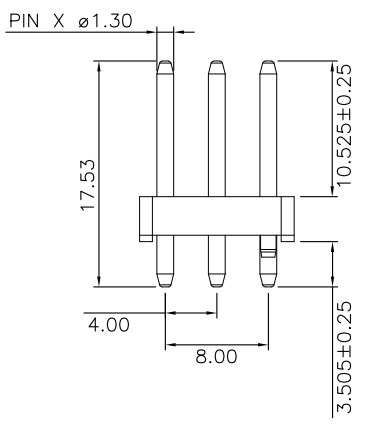
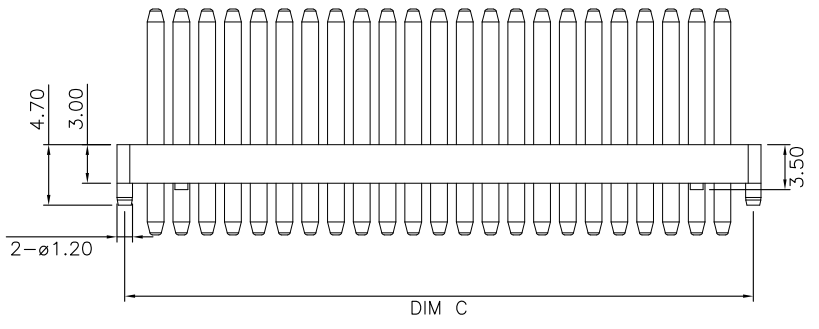


PIN	DIM A	DIM B	DIM C
35P	44.00	50.00	48.80
23P	28.00	34.00	32.80
14P	16.00	22.00	20.80
8P	8.00	14.00	12.80

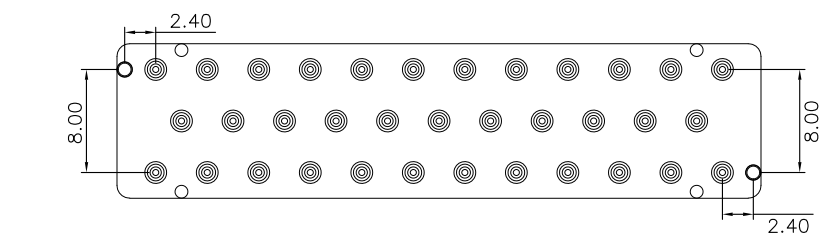
规格/Specifications:
 额定电流/Current Rating:17.0 A AC/DC
 额定电压/Voltage Rating:250V AC/DC
 接触阻抗/Contact Resistance:20m ohm.Max.
 绝缘阻抗/Insulation Resistance:1000M ohm.Min.
 耐电压值/Withstanding Voltage:500V AC/ Minute
 温度范围/Operating Temperature Range:-40°C To +105°C

材料及处理/Materials and Finish:
 绝缘材质/Insulator:Plastic (PA6T UL94V-0)
 绝缘颜色/Insulator Color:Black
 金属材质/Contact:Copper Alloy
 金属处理/Metal Treatment:
 Bottom Nickel Plating 30u" Min
 Surface Gold Plating

料号编码/Part number:
 Pin Header P 400-035-XXX-PWV-XX-D-P-175-035-105-000
 Pitch:4.00mm PA:10.5mm
 塑胶高度:3.50mm W:3.5mm
 PIN L:17.5mm
 008:8P 180° 带柱 包装方式:
 014:14P P:袋装
 023:23P 塑胶材质:
 035:35P D:PA6T
 电镀:
 SN:亮锡
 GF:镀金



TOLERANCE: ±0.05,
 RECOMMENDED PCB LAYOUT
 (TOP VIEW)



TOLERANCE UNLESS OTHERWISE SPECIFIED		BZOC 东莞市柏洲电子有限公司 Dongguan Bzoc Electronics, Ltd	
.X± 0.35	X.'± 1.5'	APR. AX.T	TITLE: PH4.0*3.5*12.0 排针 SQ17.53/3.5 S/T
.XX± 0.25	.X'± 1.0'	CHK. Y.L	PART NO.
.XXX± 0.15	.XX'± 0.5'	DRA. Y.L	PROJ.
		UNITS. MM	SCALE: 1:1
		CUSTOMER DRAWING	
		SHEET. 1 / 1	

A0	FIRST RELEASE	Y.L	2020.01.15
REV.	ECN. NO.	APR.	DATE

1 2 3 4 5 6 7 8

A
B
C
D
E
F